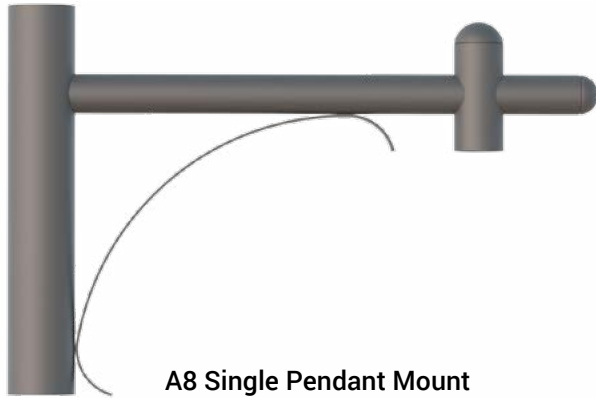
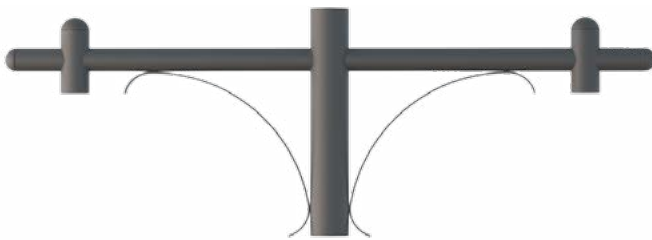


ARMS



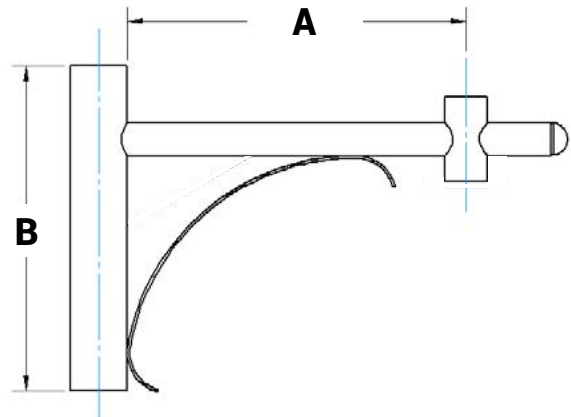
**A8 Single Pendant Mount**



**A8 Double 180° Pendant Mount**



**A8 Wall Mount Post Top**



MODEL	A	B	EPA SGL	EPA DBL	EPA WM
<b>A8-S</b>	20 in.	18 in.	1.0	1.5	.6
<b>A8-L</b>	26 in.	23 in.	1.3	2.0	.65

Architectural Arm 8 is constructed of extruded aluminum tubing and available for both post top and pendant mount luminaires. Integrates with poles or tenons of 3-1/2", 4", 4-1/2", or 5" OD and is secured with 3/8" stainless steel Allen set screws.

Contact NLS for custom configuration or other mounting options. Designed, tooled, fabricated and assembled in the USA.



Project Name:

Type:

Cat #	Mounting	Pole or Tenon Diameter	Color
Architectural Arm 8 Small <b>(A8-S)</b>	Single <b>(SGL)</b>	3" Round <b>(3R)</b>	Bronze <b>(BRZ)</b>
	Double 180° <b>(D180)</b>	4" Round <b>(4R)</b>	White <b>(WHT)</b>
Architectural Arm 8 Large <b>(A8-L)</b>	Wall Mount <b>(WM)</b>	4 1/2" Round <b>(412R)</b>	Silver <b>(SVR)</b>
		5" Round <b>(5R)</b>	Black <b>(BLK)</b>
			Hunter Green <b>(HGN)</b>
			Graphite <b>(GPH)</b>
			Grey <b>(GRY)</b>
			Custom <b>(CS)</b>