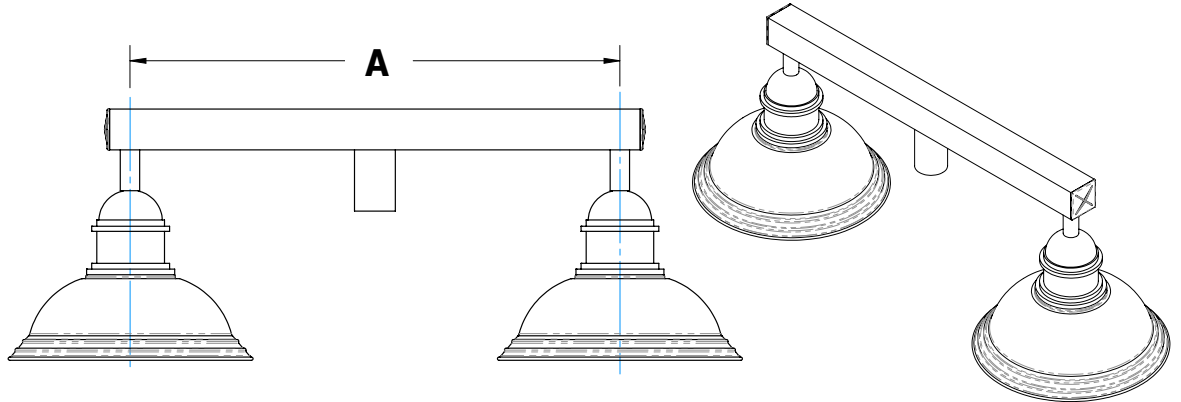




* California fixture shown above

MODEL	A
ICPA-D	36", 48"



Inline Cross Pendant Arms are constructed of square steel tubing (11G) and can mount up to 5" diameter of Pole or Tenon. The arms are secured with 3/8" stainless steel Allen Sets Screws and use black plastic snap-in end caps. Please, contact NLS for custom configuration or other mounting options.



Project Name: _____ Type: _____

Cat #	Tenon to Tenon (Distance A)	Pole Diameter To Fit Over	Color
Inline Cross Pendant Arm Double (ICPA-D)	36" (36)	Round	Bronze (BRZ)
	48" (48)	2 3/8" Ø (238R) 3" Ø (3R) 3 1/2" Ø (312R) 4" Ø (4R) 5" Ø (5R)	White (WHT) Silver (SVR) Black (BLK) Hunter Green (HGN) Graphite (GPH)
		Square	Grey (GRY) Custom (CS)
		4" SQ (4S) 5" SQ (5S)	