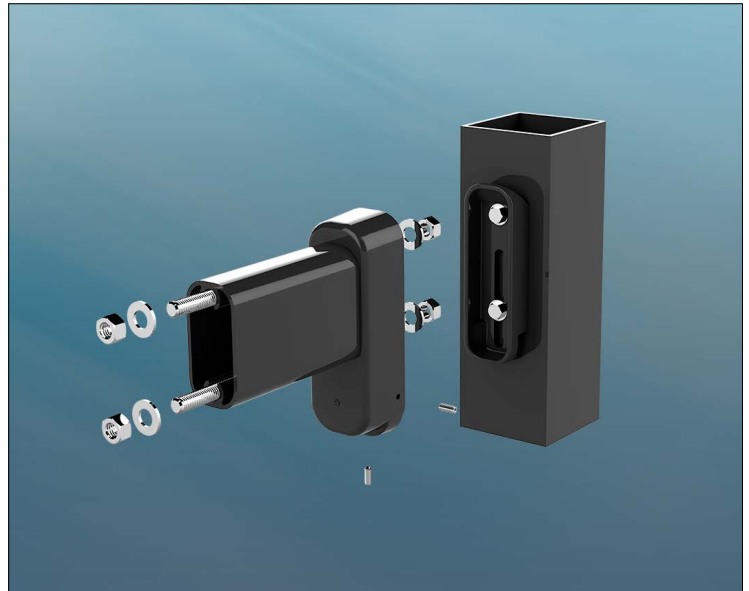


The **Retrofit Quick Mount Bracket** is designed for use of installation of new NLS fixtures with 2x4 or 2x6 extruded arms to existing poles with a drill pattern from 1.5" on center to 5" on center. The RQMB fits most existing pole drill patterns.

**Finish:** 3-5 mils electrostatic powder coat. NLS' standard high-quality finishes prevent corrosion protects against extreme environmental conditions.

**Compatibility:** *Fits 2X4 or 2X6 extruded arm.* Square Straight Steel (SSSP), Square Straight Aluminum (SSAP), Round Straight Steel (RSSP) or Round Straight Aluminum (RSAP) poles in 3"-4", or 5"-6" OD.

**Construction:** Cleat, Cleat Cover and RPA are Cast Aluminum. Grade 356 Alloy. Extruded Aluminum arm is 6061/T3 Alloy



Project Name:	Type:
---------------	-------

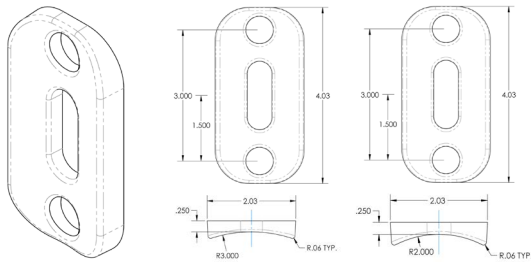
--	--	--

Cat #	Pole Dim.	Color
-------	-----------	-------

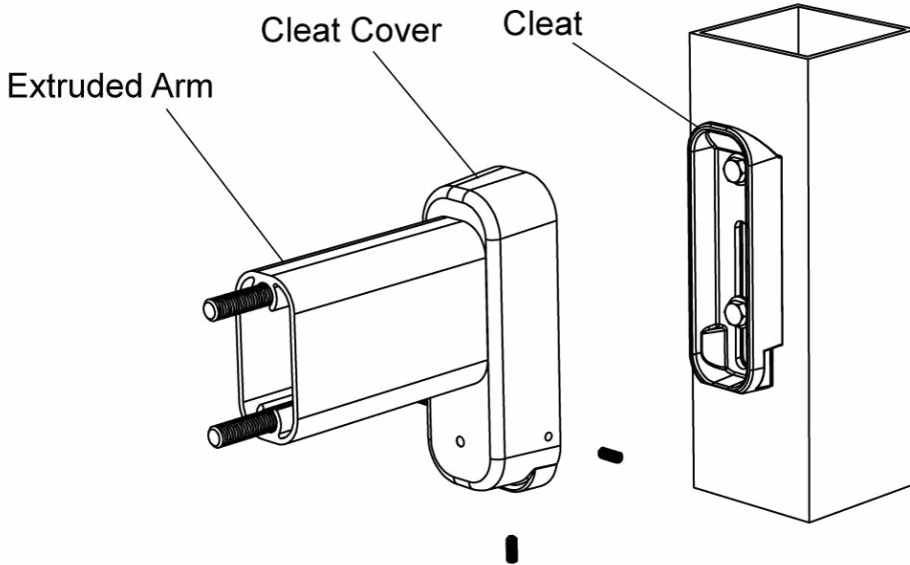
Retrofit Quick Mount Bracket <b>(RQMB)</b>	Square <b>(SQ)</b>  Round 3"-4" OD <b>(RPA4)</b> 5"-6" OD <b>(RPA5)</b>	Bronze <b>(BRZ)</b> White <b>(WHT)</b> Silver <b>(SVR)</b> Black <b>(BLK)</b> Hunter Green <b>(HGN)</b> Graphite <b>(GPH)</b> Grey <b>(GRY)</b> Custom <b>(CS)</b>
---	---	---

# PRODUCT SPECIFICATIONS

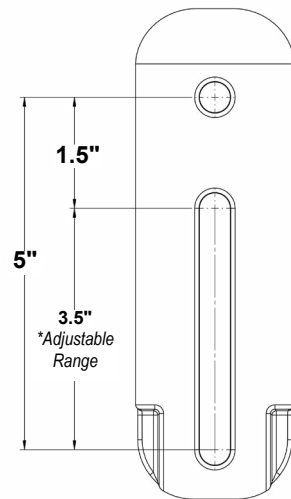
## RPA4 / RPA5



**ROUND POLE ADAPTER (RPA)**– When using round poles, specify Round Pole Adapter (RPA). Specify RPA4 when installing on 3"-4" round poles, and RPA5 when installing on 5"-6" round poles.



## RQMB DRILL PATTERN



*\* Elongated slotted hole to accommodate most existing pole drill patterns.*

## 3-STEP INSTALLATION



### STEP 1

Align cleat with fixture after installing on pole (apply over existing hole pattern).



### STEP 2

Hook fixture onto QMB/RQMB cleat.



### STEP 3

Secure (3) Set Screws into QMB/RQMB.