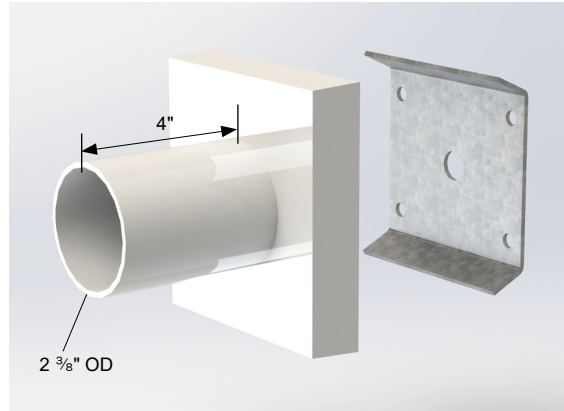
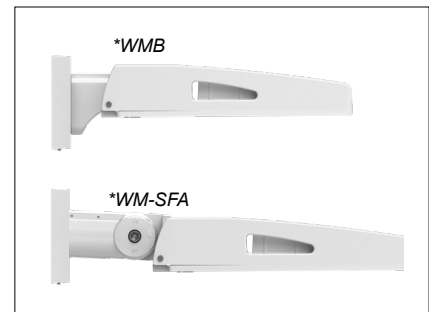
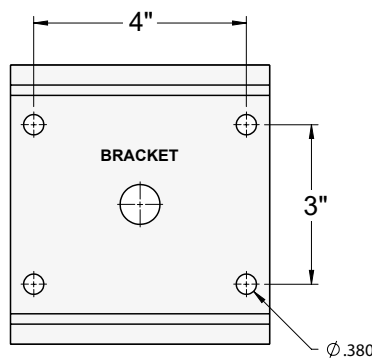
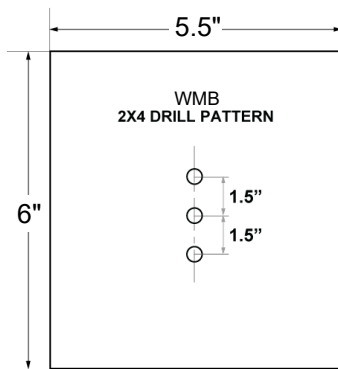


Wall Mount Bracket  
**WMB**



Wall Mount Slip Fit with 4" Arm  
**WM-SFA**



Cast Aluminum plate for direct wall mount. An extruded aluminum arm mounts directly to a cast Wall Mount box. Wall Mount Slip Fit Arm is a standard length of 4" with a 2-3/8" OD.



Project Name:

Type:

| Cat #   | Color  |
|---|--|
| Wall Mount Bracket<br><b>(WMB)</b>            | Bronze <b>(BRZ)</b><br>White <b>(WHT)</b><br>Silver <b>(SVR)</b><br>Black <b>(BLK)</b><br>Green <b>(GRN)</b><br>Graphite <b>(GPH)</b><br>Grey <b>(GRY)</b><br>Custom <b>(CS)</b> |
| Wall Mount Slip Fit 4" Arm<br><b>(WM-SFA)</b> |  |