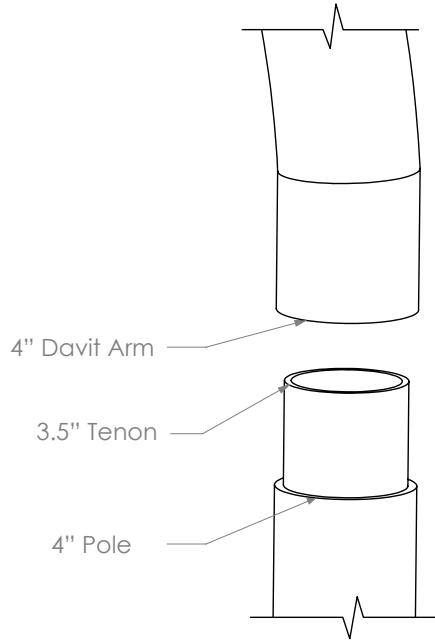
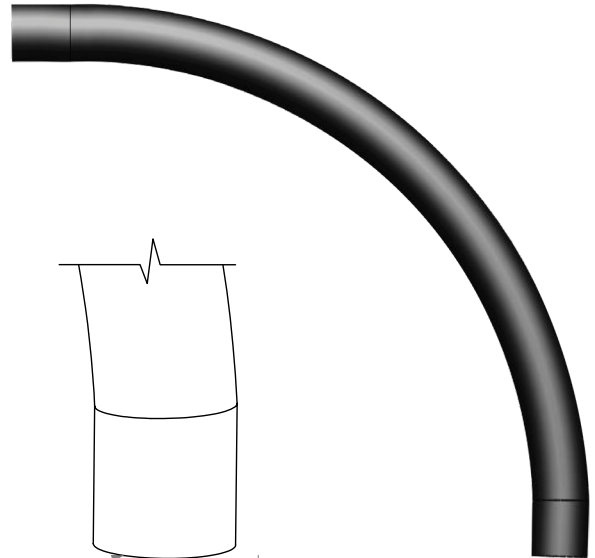




Davit arms are easy to install and made from 4" diameter 11 gauge steel and powder-coated with a thickness of 3-5 mil. Davit arm slips over pole top/tennon of 3 1/2" or davit fitter.

Davit fitters are Twin or Quad format and designed to slip over a 3.5" or 4" diameter tennon or pole top. Fitters are powder-coated with a thickness of 3-5 mil.



Project Name:

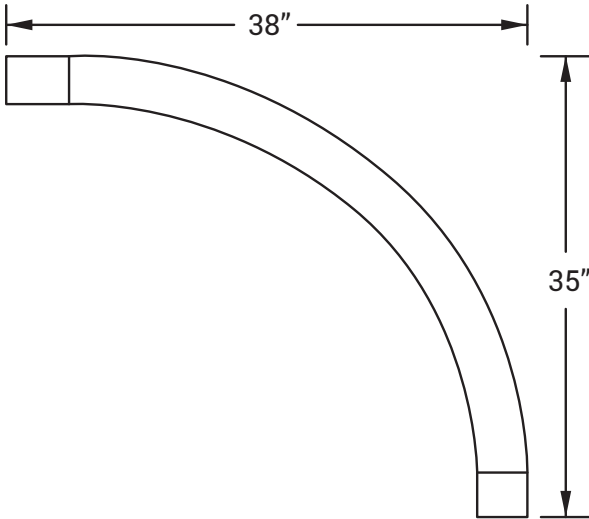
Type:

Cat#	Mounting	Pole Diameter To Fit Over	Color
Davit Arm (DAV) ¹	Single (0) <hr/> Davit Fitter Twin (DA-TWIN) ²  Davit Fitter Quad (DA-QUAD) ² 	3 1/2" OD (312R) 4" OD (4R)	Bronze Textured (BRZ) White Textured (WHT) Smooth White Gloss (SWT) Silver (SVR) Black Textured (BLK) Smooth Black Gloss (SBK) Graphite Textured (GPH) Grey Textured (GRY) Custom (CS)

Notes:

- ¹ Fits over 3 1/2" Tenon
- ² Angle configuration is field adjustable

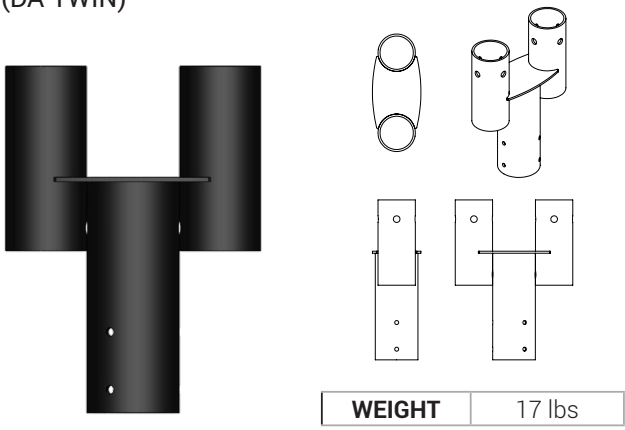
DAVIT ARM DIMENSIONS



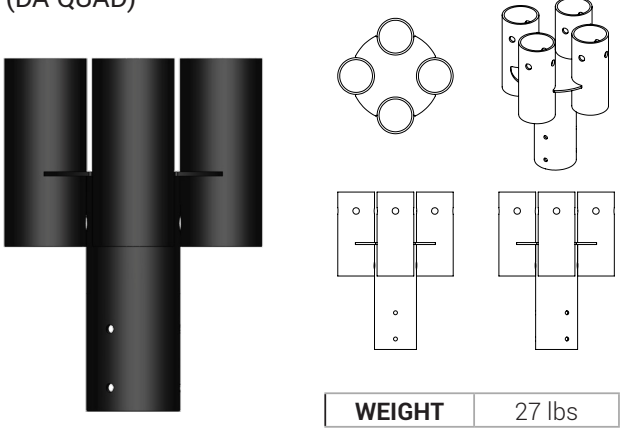
EPA

MODEL	SGL	D70	D90	D180	Q70	Q90
DAV	.85	1.25	1.43	1.71	2.02	2.34

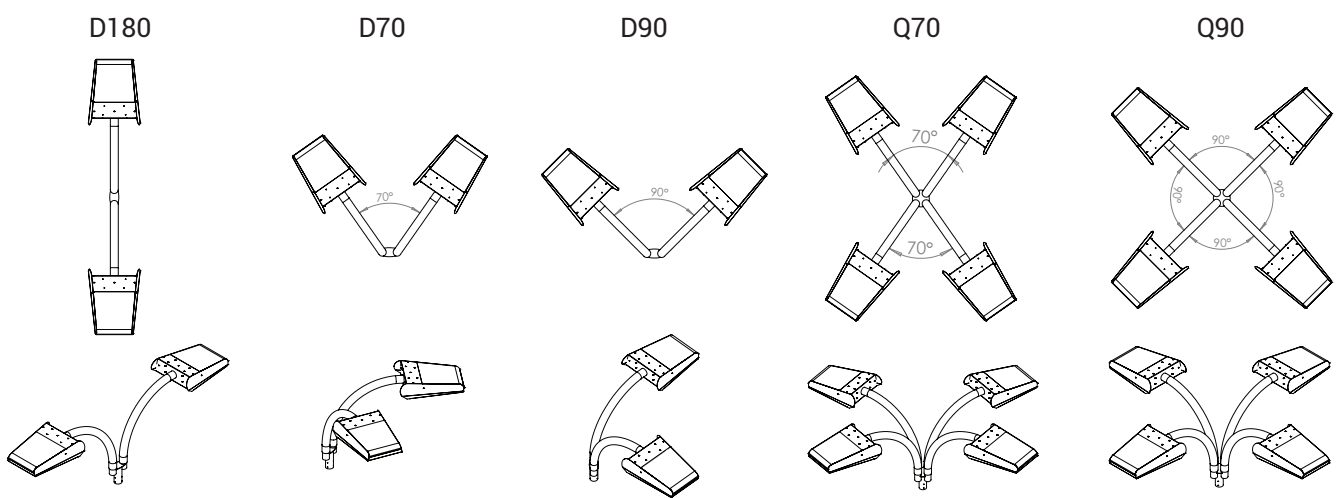
DAVIT FITTER TWIN (DA-TWIN)



DAVIT FITTER QUAD (DA-QUAD)



DAVIT FITTER CONFIGURATIONS



701 Kingshill Place, Carson, CA 90746
Call Us Today (310) 341-2037

nlsighting.com