

The Del Mar is the perfect luminaire designed to replace existing post top fixtures saving seventy five percent energy while meeting IES minimum foot candle levels while improving light distribution and uniformity.

The Del Mar luminaire features LEDs recessed deep into the luminaire eliminating any direct glare. The fixture is Full Cutoff Dark Sky. The Del Mar also features a clear tempered safety glass lens with silicone gasket which improves fixture reliability.

Del Mar is available from 18 to 104 watts and its scale is perfect to replace any wattage between 70-400 watt HID. The Del Mar throws light four to five mounting heights in all directions which is a major improvement to existing optical technology. The Del Mar features the Star Power Reflector system, a diffused 95 percent reflective low glare optical material.

Del Mar is available in Kelvin temperatures of Amber, 2700K, 3000K, 3500K, 4000K and 5000K in Types 3, and 5 light distributions.



BUY AMERICAN

To ensure the latest BAA/TAA/BABA Standards are being met, please select BAA, TAA, or BABA in the options section. Please contact the factory before placing an order for any NLS products requesting BAA (Buy American Act), TAA (Trade American Act), or BABA (Build America, Buy America).



STAR POWER™ OPTICAL SYSTEM

The Star Power™ reflector is an excellent system which provides great value and performance. Star Power Patent number: 10168023

LED WATTAGE CHART

	16L	32L	48L	64L
350 milliamps	-	33w	51w	66w
400 milliamps	21w	-	-	-
530 milliamps	28w	54w	80w	102w
700 milliamps	36w	71w	104w	-

Project Name:

Type:

--	--	--	--	--	--	--	--	--

Cat#	Light Dist.	# of LEDs	Milliamps	Kelvin	Volts	Mounting	Color	Options
DEL MAR 1 (DMR-1)	Type 3 (T3)	16 (16L)	350 (35) ^①	Amber 585-600nm (AMBER) ^{②⑦}	120-277 (UNV)	Post Top Over 2-3/8" OD (PT2)	Bronze Textured (BRZ)	Marine Grade Finish (MGF)
	Type 4 (T4)	32 (32L)	400 (40)	2700K, 70 CRI (27K7) ^③	347-480 (HV)	Post Top Over 3" OD (PT3)	White Textured (WHT)	Button Photocell (PC) ^④
	Type 5 (T5)	48 (48L)	530 (53)	2700K, 80 CRI (27K8) ^{③⑤}		Post Top Over 3.5" OD (PT35)	Smooth White Gloss (SWT)	FSP-211 with Motion Sensor (FSP-8) ^⑥ 8' and Below (FSP-20) ^⑥ 9'-20" Heights (FSP-40) ^⑥ 21'-40" Heights
		64 (64L) ^①	700 (7) ^⑤	3000K, 70 CRI (30K7) ^③			Silver (SVR)	House Side Shield (HSS)
				3000K, 80 CRI (30K8) ^{③⑤}			Black Textured (BLK)	Buy American (BAA) ^⑧
				3500K, 80 CRI (35K8) ^③			Smooth Black Gloss (SBK)	Trade American (TAA) ^⑧
			4000K, 70 CRI (40K7)			Graphite Textured (GPH)	Build America Buy American (BABA) ^⑨	
			4000K, 80 CRI (40K8) ^③			Grey Textured (GRY)	Custom Controls Integration (CCI) ^⑩	
			5000K, 70 CRI (50K7)			Green (GRN)		
			5000K, 80 CRI (50K8) ^③			Custom (CS)		

Notes:

- ① 530mA Max
- ② 48L Max
- ③ Consult Factory for Lead Time. Consult Factory for 90 CRI Requests.
- ④ Universal Voltage 120-277
- ⑤ 3000K or lower must be selected to meet International Dark-Sky Association certification.
- ⑥ Please contact Factory for Custom Control Integration requests (nLight, NX, WaveLinx, Crestron, DMX/RDM, Synapse, Casambi, Dali II, Avi-On, or other control systems)
- ⑦ Turtle Safe
- ⑧ Consult factory for all BAA/TAA/BABA requests
- ⑨ 350mA not available in 16L

PRODUCT SPECIFICATIONS

ELECTRICAL

- 120-277 Volts (UNV) or 347-480 Volts (HV)
- 0-10V dimming driver
- Driver power factor at maximum load is $\geq .95$, THD maximum load is 15%
- LED Drivers Ambient Temp. Min is -40°C and Ambient Temp. Max ranges from 50°C to 55°C and, in some cases, even higher. Consult the factory for revalidation by providing the fixture catalog string before quoting and specifying it.
- All internal wiring UL certified for 600 VAC and 105°C
- CRI 70, 80 or 90
- Color temperatures: Amber, 2700, 3000K, 3500K, 4000K, 5000K
- Surge Protection: 20KA supplied as standard.

CONSTRUCTION

- Cast Aluminum, Spun Aluminum

OPTIONS

- MARINE GRADE FINISH (MGF) - A multi-step process creating protective finishing coat against harsh environments. Chemically washed in a 5 stage cleaning system. Pre-baked, Powder coated 3-5 mils of Zinc Rich Super Durable Polyester Primer. Oven Baked. Finished Powder Coating of Super Durable Polyester Powder Coat 3-5 mil thickness.

House Side Shield (HSS) is designed for full property line cut-off.

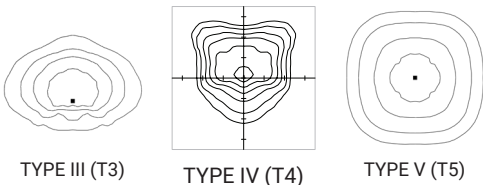
CONTROL OPTIONS

- FSP-211 (FSP-X)—Passive infrared (PIR) sensor providing multi-level control based on motion/daylight contribution.
 - All control parameters adjustable via wireless configuration remote storing and transmitting sensor profiles.
 - FSP-20 mounting heights 9-20 feet
 - FSP-40 mounting heights 21-40 feet.
 - Includes 5 dimming event cycles, 0-10V dimming with motion sensing, re-programmable in the field.
 - FSIR-100 commissioning remote is required to change sensor settings. Please contact factory for ordering.
- PHOTOCELL - Button type photocell.
- Controls Agnostic: Please contact factory for your preferred controls option. (nLight, NX, WaveLinX, Crestron, DMX/RDM, Synapse, Casambi, DALI II, Avi-On, or other control systems)

OPTICS

Recessed Star Power Optical System is 95% reflective material. Utilizes a linear diffused pattern, softening the light distribution and eliminating any dark shadows or striations.

- IES Types



FINISH

- 3-5 mils electrostatic powder coat.
- NLS Lighting standard high-quality finishes prevent corrosion and protects against extreme environmental conditions

WARRANTY

Five-year limited warranty for drivers and LEDs.

LISTINGS

- Certified to UL 1598
- UL 8750
- CSA C22.2 No. 250.0

BUY AMERICAN OPTION

While all of the NLS Lighting products listed in this document qualify for the Buy America(n) Act of 1933, we reserve the right to change our listings without notice.

The information provided above is for general informational purposes only. We encourage you to consult legal professionals for advice particular to your projects concerning BAA, TAA, BABA or Buy America.

Additional NLS Products that meet BAA, TAA standards can be found at the following link:

[https://nlsighting.com/wp-content/uploads/cs/NLS_BuyAmerica\(n\).pdf](https://nlsighting.com/wp-content/uploads/cs/NLS_BuyAmerica(n).pdf)



The information and specifications on this document are subject to change without any notification. All values are design, nominal, or typical or prorated values when measured under internal and external laboratory conditions.



701 Kingshill Place, Carson, CA 90746
Call Us Today (310) 341-2037

nlsighting.com

PRODUCT SPECIFICATIONS

DEL MAR - LUMEN DATA CHART

MODEL #	T3	LM/W	BUG RATING	T5	LM/W	BUG RATING	WATTAGE
DMR-1-16L-40-27K7	1745	83		1764	84		21
DMR-1-16L-40-27K8	1633	78		1652	79		21
DMR-1-16L-40-30K8	1751	83		1771	84		21
DMR-1-16L-40-30K7	1886	90		1907	91		21
DMR-1-16L-40-35K8	1751	83		1771	84		21
DMR-1-16L-40-40K8	1886	90		1907	91		21
DMR-1-16L-40-40K7	2038	97		2061	98		21
DMR-1-16L-40-50K8	1886	90		1907	91		21
DMR-1-16L-40-50K7	2038	97		2061	98		21
DMR-1-16L-530-27K8	2164	77	B1-U0-G1	2189	78	B1-U0-G1	28
DMR-1-16L-530-30K8	2321	83	B1-U0-G1	2347	84	B1-U0-G1	28
DMR-1-16L-530-30K7	2499	89	B1-U0-G1	2528	90	B1-U0-G1	28
DMR-1-16L-530-35K8	2321	83	B1-U0-G1	2347	84	B1-U0-G1	28
DMR-1-16L-530-40K8	2499	89	B1-U0-G1	2528	90	B1-U0-G1	28
DMR-1-16L-530-40K7	2701	96	B1-U0-G1	2731	98	B1-U0-G1	28
DMR-1-16L-530-50K8	2499	89	B1-U0-G1	2528	90	B1-U0-G1	28
DMR-1-16L-530-50K7	2701	96	B1-U0-G1	2731	98	B1-U0-G1	28
DMR-1-16L-700-27K8	2859	79	B1-U0-G1	2891	80	B1-U0-G1	36
DMR-1-16L-700-30K8	3065	85	B1-U0-G1	3100	86	B1-U0-G1	36
DMR-1-16L-700-30K7	3301	92	B1-U0-G1	3338	93	B1-U0-G1	36
DMR-1-16L-700-35K8	3065	85	B1-U0-G1	3100	86	B1-U0-G1	36
DMR-1-16L-700-40K8	3301	92	B1-U0-G1	3338	93	B1-U0-G1	36
DMR-1-16L-700-40K7	3567	99	B1-U0-G1	3607	100	B2-U0-G1	36
DMR-1-16L-700-50K8	3301	92	B1-U0-G1	3338	93	B1-U0-G1	36
DMR-1-16L-700-50K7	3567	99	B1-U0-G1	3607	100	B2-U0-G1	36
DMR-1-32L-350-27K8	2859	87	B1-U0-G1	2891	88	B1-U0-G1	33
DMR-1-32L-350-30K8	3065	93	B1-U0-G1	3100	94	B1-U0-G1	33
DMR-1-32L-350-30K7	3301	100	B1-U0-G1	3338	101	B1-U0-G1	33
DMR-1-32L-350-35K8	3065	93	B1-U0-G1	3100	94	B1-U0-G1	33
DMR-1-32L-350-40K8	3301	100	B1-U0-G1	3338	101	B1-U0-G1	33
DMR-1-32L-350-40K7	3567	108	B1-U0-G1	3607	109	B2-U0-G1	33
DMR-1-32L-350-50K8	3301	100	B1-U0-G1	3338	101	B1-U0-G1	33
DMR-1-32L-350-50K7	3567	108	B1-U0-G1	3607	109	B2-U0-G1	33
DMR-1-32L-530-27K8	4329	80	B1-U0-G1	4378	81	B2-U0-G1	54
DMR-1-32L-530-30K8	4641	86	B1-U0-G1	4694	87	B2-U0-G1	54
DMR-1-32L-530-30K7	4999	93	B1-U0-G1	5055	94	B2-U0-G1	54
DMR-1-32L-530-35K8	4641	86	B1-U0-G1	4694	87	B2-U0-G1	54
DMR-1-32L-530-40K8	4999	93	B1-U0-G1	5055	94	B2-U0-G1	54
DMR-1-32L-530-40K7	5401	100	B1-U0-G1	5462	101	B2-U0-G1	54
DMR-1-32L-530-50K8	4999	93	B1-U0-G1	5055	94	B2-U0-G1	54
DMR-1-32L-530-50K7	5401	100	B1-U0-G1	5462	101	B2-U0-G1	54
DMR-1-32L-700-27K8	5717	81	B1-U0-G1	5782	81	B2-U0-G1	71
DMR-1-32L-700-30K8	6130	86	B1-U0-G1	6199	87	B2-U0-G1	71
DMR-1-32L-700-30K7	6602	93	B1-U0-G1	6677	94	B2-U0-G1	71
DMR-1-32L-700-35K8	6130	86	B1-U0-G1	6199	87	B2-U0-G1	71
DMR-1-32L-700-40K8	6602	93	B1-U0-G1	6677	94	B2-U0-G1	71
DMR-1-32L-700-40K7	7133	100	B1-U0-G1	7214	102	B3-U0-G1	71
DMR-1-32L-700-50K8	6602	93	B1-U0-G1	6677	94	B2-U0-G1	71
DMR-1-32L-700-50K7	7133	100	B1-U0-G1	7214	102	B3-U0-G1	71

3000K or lower must be selected to meet International Dark Sky Association certification.

Lumen Maintenance Data

Ambient Temperature	Drive Current	L90 Hours*	L70 Hours**	30,000 Hours*	50,000 Hours*	60,000 Hours*	100,000 Hours**
25°C	Up to 700mA	58,000	173,000	95.7%	91.6%	89.6%	82.1%
		*Reported extrapolations per IESNA TM-21		**Projected extrapolations per IESNA TM-21			



701 Kingshill Place, Carson, CA 90746
Call Us Today (310) 341-2037

nlsighting.com

PRODUCT SPECIFICATIONS

DEL MAR - LUMEN DATA CHART

MODEL #	T3	LM/W	BUG RATING	T5	LM/W	BUG RATING	WATTAGE
DMR-1-48L-350-27K8	4288	84	B1-U0-G1	4337	85	B2-U0-G1	51
DMR-1-48L-350-30K8	4597	90	B1-U0-G1	4649	91	B2-U0-G1	51
DMR-1-48L-350-30K7	4951	97	B1-U0-G1	5007	98	B2-U0-G1	51
DMR-1-48L-350-35K8	4597	90	B1-U0-G1	4649	91	B2-U0-G1	51
DMR-1-48L-350-40K8	4952	97	B1-U0-G1	5008	98	B2-U0-G1	51
DMR-1-48L-350-40K7	5350	105	B1-U0-G1	5411	106	B2-U0-G1	51
DMR-1-48L-350-50K8	4952	97	B1-U0-G1	5008	98	B2-U0-G1	51
DMR-1-48L-350-50K7	5350	105	B1-U0-G1	5411	106	B2-U0-G1	51
DMR-1-48L-530-27K8	6493	81	B1-U0-G1	6567	82	B2-U0-G1	80
DMR-1-48L-530-30K8	6962	87	B1-U0-G1	7041	88	B3-U0-G1	80
DMR-1-48L-530-30K7	7498	94	B1-U0-G1	7583	95	B3-U0-G1	80
DMR-1-48L-530-35K8	6962	87	B1-U0-G1	7041	88	B3-U0-G1	80
DMR-1-48L-530-40K8	7498	94	B1-U0-G1	7583	95	B3-U0-G1	80
DMR-1-48L-530-40K7	8102	101	B1-U0-G1	8193	102	B3-U0-G1	80
DMR-1-48L-530-50K8	7498	94	B1-U0-G1	7583	95	B3-U0-G1	80
DMR-1-48L-530-50K7	8102	101	B1-U0-G1	8193	102	B3-U0-G1	80
DMR-1-48L-700-27K8	8576	82	B1-U0-G1	8673	83	B3-U0-G1	104
DMR-1-48L-700-30K8	9195	88	B2-U0-G2	9299	89	B3-U0-G1	104
DMR-1-48L-700-30K7	9903	95	B2-U0-G2	10015	96	B3-U0-G1	104
DMR-1-48L-700-35K8	9195	88	B2-U0-G2	9299	89	B3-U0-G1	104
DMR-1-48L-700-40K8	9903	95	B2-U0-G2	10015	96	B3-U0-G1	104
DMR-1-48L-700-40K7	10700	103	B2-U0-G2	10821	104	B3-U0-G1	104
DMR-1-48L-700-50K8	9903	95	B2-U0-G2	10015	96	B3-U0-G1	104
DMR-1-48L-700-50K7	10700	103	B2-U0-G2	10821	104	B3-U0-G1	104
DMR-1-64L-350-27K8	5717	87	B1-U0-G1	5782	88	B2-U0-G1	66
DMR-1-64L-350-30K8	6130	93	B1-U0-G1	6199	94	B2-U0-G1	66
DMR-1-64L-350-30K7	6602	100	B1-U0-G1	6677	101	B2-U0-G1	66
DMR-1-64L-350-35K8	6130	93	B1-U0-G1	6199	94	B2-U0-G1	66
DMR-1-64L-350-40K8	6602	100	B1-U0-G1	6677	101	B2-U0-G1	66
DMR-1-64L-350-40K7	7133	108	B1-U0-G1	7214	109	B3-U0-G1	66
DMR-1-64L-350-50K8	6602	100	B1-U0-G1	6677	101	B2-U0-G1	66
DMR-1-64L-350-50K7	7133	108	B1-U0-G1	7214	109	B3-U0-G1	66
DMR-1-64L-530-27K8	8658	85	B1-U0-G1	8756	86	B3-U0-G1	102
DMR-1-64L-530-30K8	9282	91	B2-U0-G2	9387	92	B3-U0-G1	102
DMR-1-64L-530-30K7	9997	98	B2-U0-G2	10110	99	B3-U0-G1	102
DMR-1-64L-530-35K8	9283	91	B2-U0-G2	9388	92	B3-U0-G1	102
DMR-1-64L-530-40K8	9997	98	B2-U0-G2	10110	99	B3-U0-G1	102
DMR-1-64L-530-40K7	10802	106	B2-U0-G2	10924	107	B3-U0-G1	102
DMR-1-64L-530-50K8	9997	98	B2-U0-G2	10110	99	B3-U0-G1	102
DMR-1-64L-530-50K7	10802	106	B2-U0-G2	10924	107	B3-U0-G1	102

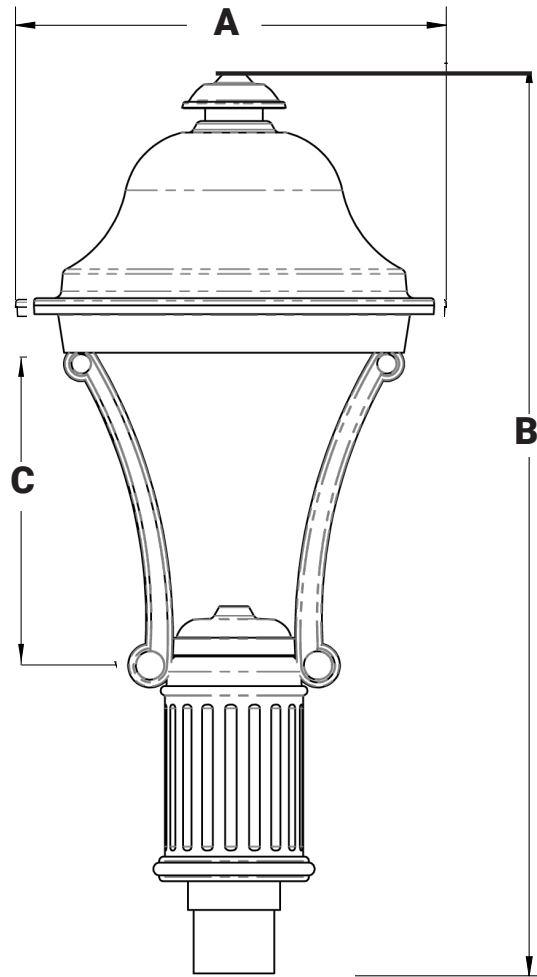
3000K or lower must be selected to meet International Dark Sky Association certification.



701 Kingshill Place, Carson, CA 90746
Call Us Today (310) 341-2037

nlsighting.com

PRODUCT SPECIFICATIONS



OVER 2-3/8" TO 3.5" OD Ø

EPA	
SINGLE	1.82

DIMENSION	DMR-1
A	17.5 in
B	37.8 in
C	14 in