



LED WATTAGE CHART

| | 16L |
|----------------|------------------------|
| 400 milliamps | 21w (2412-2596 Lumens) |
| 530 milliamps | 28w (3508-3776 Lumens) |
| 700 milliamps | 36w (4385-4720 Lumens) |
| 1050 milliamps | 56w (6022-6482 Lumens) |

Form

- Elegant Rectilinear Extruded Aluminum Housing
- Corrosion Resistant Stainless Steel External Hardware
- Sleek, Low Profile Housing
- Spec Grade Performance
- Engineered For Optimum Thermal Management
- Anchor Base Plate For Easy Installation
- 8 Architectural Finishes Standard, RAL Colors Available

Function

- Micro Optics IES Distributions T2, T3, T4, T5
- 0-10V Dimming Drivers THD @ Max Load < 15%
- Power factor @ Max Load < 0.95
- Amber, 2700K, 3000K, 3500K, 4000K, Or 5000K
- 16L LED Configuration
- 18-56 Watts (Single Head Wattage)
- CRI 70, 80, or 90
- Extruded Aluminum Heat Sink
- 5 Mils Powder Coat
- Aluminum Pole .250 Wall

Reliability

- Silicone Micro Optics
- 5 Year Standard Warranty
- IP67 Optics
- Reduces Energy Consumption And Costs Up To 65%
- Dark Sky Approved

BUY AMERICAN

To ensure the latest BAA/TAA/BABA Standards are being met, please select BAA, TAA, or BABA in the options section. Please contact the factory before placing an order for any NLS products requesting BAA (Buy American Act), TAA (Trade American Act), or BABA (Build America, Buy America).








Project Name:

Type:

TRC-1 ORDERING GUIDE

*Ordering information for Pole & Fixture

| Cat# | Light Dist. | No. of LEDs | Milliamps | Kelvin Temp | Volts |
|--------------------------|-----------------------|--------------------|--------------------|--|-------------------------|
| Trac 1 (TRC-1) | Type 2 (T2) | 16 (16L) | 400 (40) | Amber 585-600nm (AMBER) ⑤ ⑦ | 120-277 (UNV) |
| | Type 3 (T3) | | 530 (53) | 2700K, 70 CRI (27K7) ⑤ | 340-480 (HV) |
| | Type 4 (T4) | | 700 (7) | 2700K, 80 CRI (27K8) ① ⑤ | |
| | Type 5 (T5) | | 1050 (1) | 3000K, 70 CRI (30K7) ⑤ | |
| | | | | 3000K, 80 CRI (30K8) ① ⑤ | |
| | | | | 3500K, 80 CRI (35K8) | |
| | | | | 4000K, 70 CRI (40K7) | |
| | | | | 4000K, 80 CRI (40K8) ① | |
| | | | | 5000K, 70 CRI (50K7) | |
| | | | | 5000K, 80 CRI (50K8) ① | |

| Config. | Color | Control Options | Options | Pole Height |
|---|---------------------------------------|---|--|--|
| Single (SGL)  | Bronze Textured (BRZ) | Nema 7-Pin Receptacle (PE7) ⑥ | Marine Grade Finish (MGF) | 8' (8) |
| Double (D-180)  | White Textured (WHT) | Button Photocell (PC) ⑥ | House Side Shield (HSS) | 10' (10) |
| MPF Triple (TRI) ②  | Smooth White Gloss (SWT) | FSP-211 with Motion Sensor (FSP-8) ⑥ | Rotated Optic Left (ROL) | 12' (12) |
| MPF Quad (QD) ②  | Silver Textured (SVR) | 8' and Below (FSP-20) ⑥ 9'-20" Heights | Rotated Optic Right (ROR) | No Pole (NO) |
| MPF (MPF) ②  | Black Textured (BLK) | Custom Controls Integration (CCI) ⑥ | Buy American (BAA) ⑧ | Aluminum Pole .250 Wall Comes With 12" Anchor Base 1" Thick, 1" Anchor Bolts |
| | Smooth Black Gloss (SBK) | No Options (NO) | Trade American (TAA) ⑧ | |
| | Graphite Textured (GPH) | | Build America Buy American (BABA) ⑧ | |
| | Grey (GRY) | | No Options (NO) | |
| | Custom (CS) | | | |

Notes:

- ① Consult Factory For Lead Time. Consult Factory For 90 CRI Requests.
- ② MPF Mid Pole Fixture. Consult Factory
- ③ Only Available When Ordering NLS Pole
- ④ Universal Voltage 120-277
- ⑤ 3000k or lower must be selected to meet International Dark-Sky Association certification.
- ⑥ Please contact Factory for Custom Control Integration requests (nLight, NX, WaveLinx, Crestron, DMX/RDM, Synapse, Casambi, Dali II, Avi-On, or other control systems)
- ⑦ Turtle Safe
- ⑧ Consult factory for all BAA/TAA/BABA requests

PRODUCT SPECIFICATIONS

ELECTRICAL

- 120-277 Volts (UNV) or 347-480 Volts (HV)
- 0-10V dimming driver
- Driver power factor at maximum load is $\geq .95$, THD maximum load is 15%
- LED Drivers Ambient Temp. Min is -40°C and Ambient Temp. Max ranges from 50°C to 55°C and, in some cases, even higher. Consult the factory for revalidation by providing the fixture catalog string before quoting and specifying it.
- All drivers, controls, and sensors housed in enclosed compartment
- CRI 70, 80, or 90
- Color temperatures: Amber, 2700K, 3000K, 3500K, 4000K, 5000K
- Surge Protection: 20KA supplied as standard.

CONSTRUCTION

- Extruded Aluminum
- Internal cooling fins
- Corrosion resistant external hardware
- One-piece silicone gasket ensures water tight seal for electronics compartment
- Two-piece silicone Micro Optic system ensures IP67 seal around each PCB

OPTIONS

- NEMA 7-Pin Receptacle (PE7). Only available when ordering NLS pole.
- PHOTO CELL (PC)
- DIMMING CONTROL (FSP-20) (FSP-40)
- MARINE GRADE FINISH (MGF)—A multi-step process creating protective finishing coat against harsh environments. Chemically washed in a 5 stage cleaning system. Pre-baked, Powder coated 3-5 mils of Zinc Rich Super Durable Polyester Primer. Oven Baked. Finished Powder Coating of Super Durable Polyester Powder Coat 3-5 mil thickness.
- SHIELD (HSS)—House Side Shield is designed for full property line cut-off.
- ROTATED OPTICS (ROL) (ROR)

CONTROL OPTIONS

- FSP-211 with Motion Sensor (FSP-XX)—Passive infrared (PIR) sensor providing multi-level control based on motion/daylight contribution.
- All control parameters adjustable via wireless configuration remote storing and transmitting sensor profiles.
 - FSP-20 mounting heights 9-20 feet
 - FSP-40 mounting heights 21-40 feet.
 - Includes 5 dimming event cycles, 0-10V dimming with motion sensing, re-programmable in the field.
 - Motion sensor mounted to access cover
 - FSIR-100 commissioning remote is required to change sensor settings. Please contact factory for ordering.
- NEMA 7-PIN RECEPTACLE (PE7)—An ANSI C136.41-2013 receptacle provides electrical and mechanical interconnection between photo control cell and luminaire. Dimming receptacle available two or four dimming contacts supports 0-10 VDC dimming methods or Digital Addressable Lighting Interface (DALI), providing reliable power interconnect.
- Controls Agnostic: Please contact factory for your preferred controls option. (nLight, NX, WaveLinX, Crestron, DMX/RDM, Synapse, Casambi, DALI II, Avi-On, or other control systems)

FINISH

- 3-5 mils electrostatic powder coat.
- NLS Lighting standard high-quality finishes prevent corrosion and protects against extreme environmental conditions

WARRANTY

Five-year limited warranty for drivers and LEDs.

OPTICS

Silicone optics high thermal stability and light output provide higher powered LEDs with minimized lumen depreciation. UV stability with scratch resistance increases exterior application durability. Silicone optics do not yellow, crack or brittle over time

LISTINGS

- Certified to UL 1598
- UL 8750
- CSA C22.2 No. 250.0
- IP65/ IP67 Rated
- IK10 Rated

BUY AMERICAN OPTION

While all of the NLS Lighting products listed in this document qualify for the Buy America(n) Act of 1933, we reserve the right to change our listings without notice.

The information provided above is for general informational purposes only. We encourage you to consult legal professionals for advice particular to your projects concerning BAA, TAA, BABA or Buy America.

Additional NLS Products that meet BAA, TAA standards can be found at the following link:

<https://nslighting.com/buy-american/>



The information and specifications on this document are subject to change without any notification. All values are design, nominal, typical or prorated values when measured under internal and external laboratory conditions.



701 Kingshill Place, Carson, CA 90746
P: (310) 341-2037

nslighting.com

PRODUCT SPECIFICATIONS

TRAC 1 LUMEN CHART

| TRAC LUMEN CHART | | | | | | | | | | | | | |
|-------------------|-------|------|----------|-------|------|----------|-------|------|----------|-------|------|----------|-------|
| PART NUMBER | T2 | LM/W | BUG | T3 | LM/W | BUG | T4 | LM/W | BUG | T5 | LM/W | BUG | WATTS |
| TRC-1-16L-40-27K7 | 2478 | 118 | | 2492 | 119 | | 2491 | 119 | | 2540 | 121 | | 21 |
| TRC-1-16L-40-27K8 | 2320 | 110 | | 2333 | 111 | | 2332 | 111 | | 2378 | 113 | | 21 |
| TRC-1-16L-40-30K8 | 2488 | 118 | | 2502 | 119 | | 2501 | 119 | | 2550 | 121 | | 21 |
| TRC-1-16L-40-30K7 | 2679 | 128 | | 2694 | 128 | | 2693 | 128 | | 2746 | 131 | | 21 |
| TRC-1-16L-40-35K8 | 2488 | 118 | | 2502 | 119 | | 2501 | 119 | | 2550 | 121 | | 21 |
| TRC-1-16L-40-40K8 | 2679 | 128 | | 2694 | 128 | | 2693 | 128 | | 2746 | 131 | | 21 |
| TRC-1-16L-40-40K7 | 2895 | 138 | | 2911 | 139 | | 2910 | 139 | | 2967 | 141 | | 21 |
| TRC-1-16L-40-50K8 | 2679 | 128 | | 2694 | 128 | | 2693 | 128 | | 2746 | 131 | | 21 |
| TRC-1-16L-40-50K7 | 2895 | 138 | | 2911 | 139 | | 2910 | 139 | | 2967 | 141 | | 21 |
| TRC-1-16L-53-30K7 | 3,508 | 125 | B1-U0-G1 | 3,527 | 126 | B1-U0-G1 | 3,527 | 126 | B1-U0-G1 | 3,596 | 128 | B2-U0-G1 | 28 |
| TRC-1-16L-53-40K7 | 3,683 | 132 | B1-U0-G1 | 3,704 | 132 | B1-U0-G1 | 3,704 | 132 | B1-U0-G1 | 3,776 | 135 | B2-U0-G1 | 28 |
| TRC-1-16L-53-50K7 | 3,683 | 132 | B1-U0-G1 | 3,704 | 132 | B1-U0-G1 | 3,704 | 132 | B1-U0-G1 | 3,776 | 135 | B2-U0-G1 | 28 |
| TRC-1-16L-7-30K7 | 4,385 | 122 | B1-U0-G1 | 4,409 | 122 | B1-U0-G1 | 4,409 | 122 | B1-U0-G1 | 4,495 | 125 | B3-U0-G1 | 36 |
| TRC-1-16L-7-40K7 | 4,604 | 128 | B1-U0-G1 | 4,630 | 129 | B1-U0-G1 | 4,630 | 129 | B1-U0-G1 | 4,720 | 131 | B3-U0-G1 | 36 |
| TRC-1-16L-7-50K7 | 4,604 | 128 | B1-U0-G1 | 4,630 | 129 | B1-U0-G1 | 4,630 | 129 | B1-U0-G1 | 4,720 | 131 | B3-U0-G1 | 36 |
| TRC-1-16L-1-30K7 | 6,022 | 108 | B1-U0-G1 | 6,056 | 108 | B1-U0-G1 | 6,056 | 108 | B1-U0-G1 | 6,174 | 110 | B3-U0-G1 | 56 |
| TRC-1-16L-1-40K7 | 6,323 | 113 | B1-U0-G1 | 6,359 | 114 | B1-U0-G1 | 6,359 | 114 | B1-U0-G1 | 6,482 | 116 | B3-U0-G1 | 56 |
| TRC-1-16L-1-50K7 | 6,323 | 113 | B1-U0-G1 | 6,359 | 114 | B1-U0-G1 | 6,359 | 114 | B1-U0-G2 | 6,482 | 116 | B3-U0-G1 | 56 |

3000k or lower must be selected to meet International Dark-Sky Association certification.

TRAC 1 LUMEN CHART HSS

| PART NUMBER | T2 HSS | LM/W | BUG | T3 HSS | LM/W | BUG | T4 HSS | LM/W | BUG | WATTS |
|-------------------|--------|------|----------|--------|------|----------|--------|------|----------|-------|
| TRC-1-16L-35-30K7 | 1,775 | 99 | B0-U0-G0 | 1,716 | 95 | B0-U0-G0 | 1,660 | 92 | B0-U0-G0 | 18 |
| TRC-1-16L-35-40K7 | 1,864 | 104 | B0-U0-G0 | 1,802 | 100 | B0-U0-G0 | 1,743 | 97 | B0-U0-G0 | 18 |
| TRC-1-16L-35-50K7 | 1,864 | 104 | B0-U0-G0 | 1,802 | 100 | B0-U0-G0 | 1,743 | 97 | B0-U0-G1 | 18 |
| TRC-1-16L-53-30K7 | 2,582 | 92 | B0-U0-G1 | 2,496 | 89 | B0-U0-G1 | 2,415 | 86 | B0-U0-G1 | 28 |
| TRC-1-16L-53-40K7 | 2,711 | 97 | B0-U0-G1 | 2,621 | 94 | B0-U0-G1 | 2,535 | 91 | B0-U0-G1 | 28 |
| TRC-1-16L-53-50K7 | 2,711 | 97 | B0-U0-G1 | 2,621 | 94 | B0-U0-G1 | 2,535 | 91 | B0-U0-G1 | 28 |
| TRC-1-16L-7-30K7 | 3,227 | 90 | B1-U0-G1 | 3,120 | 87 | B0-U0-G1 | 3,018 | 84 | B0-U0-G1 | 36 |
| TRC-1-16L-7-40K7 | 3,389 | 94 | B1-U0-G1 | 3,276 | 91 | B0-U0-G1 | 3,169 | 88 | B0-U0-G1 | 36 |
| TRC-1-16L-7-50K7 | 3,389 | 94 | B1-U0-G1 | 3,276 | 91 | B0-U0-G1 | 3,169 | 88 | B0-U0-G1 | 36 |
| TRC-1-16L-1-30K7 | 4,433 | 79 | B1-U0-G1 | 4,285 | 77 | B0-U0-G1 | 4,145 | 74 | B1-U0-G1 | 56 |
| TRC-1-16L-1-40K7 | 4,654 | 83 | B1-U0-G1 | 4,499 | 80 | B1-U0-G1 | 4,353 | 78 | B1-U0-G1 | 56 |
| TRC-1-16L-1-50K7 | 4,654 | 83 | B1-U0-G1 | 4,499 | 80 | B1-U0-G1 | 4,353 | 78 | B1-U0-G1 | 56 |

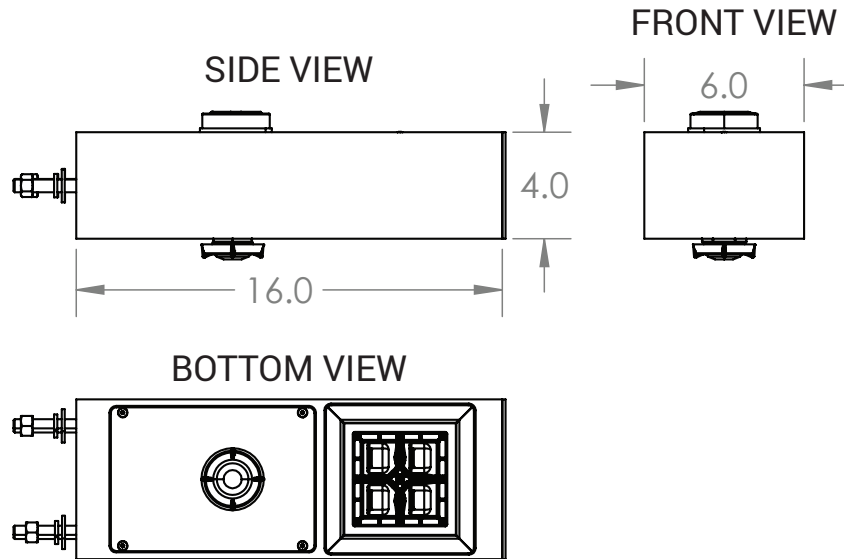
| Lumen Maintenance Data | | | | | | | |
|------------------------|---------------|------------|-------------|---------------|---------------|---------------|-----------------|
| Ambient Temperature | Drive Current | L90 Hours* | L70 Hours** | 30,000 Hours* | 50,000 Hours* | 60,000 Hours* | 100,000 Hours** |
| 25°C | Up to 700mA | 58,000 | 173,000 | 95.7% | 91.6% | 89.6% | 82.1% |
| | 1050mA | 48,000 | 143,000 | 94.3% | 89.5% | 87.2% | 78.5% |

*Reported extrapolations per IESNA TM-21 **Projected extrapolations per IESNA TM-21

PRODUCT SPECIFICATIONS

| MODEL | WIDTH | DEPTH | LENGTH | WEIGHT | EPA | SGL | DBL |
|----------|-------|-------|--------|--------|-----|-----|-----|
| TRAC - 1 | 6" | 4" | 16" | 11 | | .5 | 1.1 |

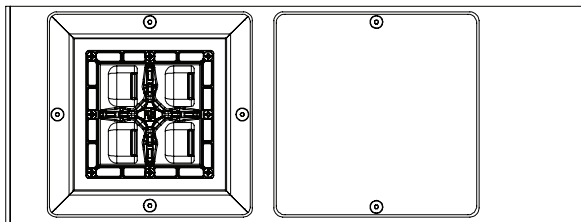
DIMENSIONS



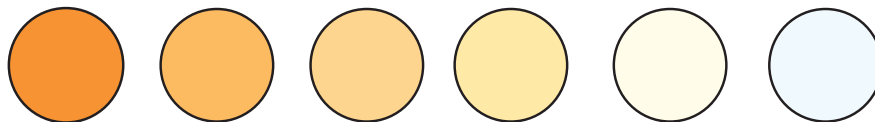
OPTICAL CONFIGURATIONS

Rotatable Optics (ROR) Rotated Right, (ROL) Rotated Left options available. Optics field and factory rotatable.

TRC-1 / 16L



LED KELVIN RANGE



AMBER 585-600 nm 2700K 70 CRI 3000K 70 CRI 3500K 80 CRI 4000K 70 CRI 5000K 70 CRI

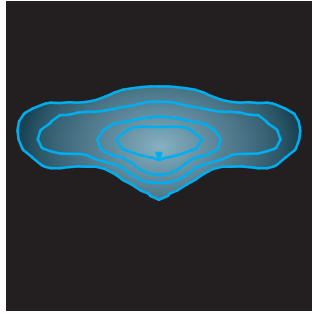
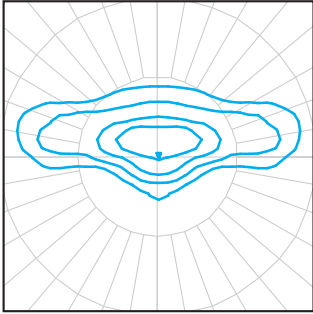
| Color | Dominant or Peak Wavelength Range (nm) | |
|-------|--|---------|
| | Minimum | Maximum |
| Amber | 585 | 600 |

POLE EPA DATA

| Catalog Number | Shaft Length, ft | Wall thickness, in. | Shaft dim., in. | Base Plate, in. | Bolt Circle, in. | Bolts | 80 mph | Max. wt. (lb) | 90 mph | Max. wt. (lb) | 100 mph | Max. wt. (lb) | 110 mph | Max. wt. (lb) | 115 mph | Max. wt. (lb) | 120 mph | Max. wt. (lb) | 130 mph | Max. wt. (lb) | 140 mph | Max. wt. (lb) | 150 mph | Max. wt. (lb) | 160 mph | Max. wt. (lb) | 170 mph | Max. wt. (lb) | 180 mph | Max. wt. (lb) |
|----------------------|------------------|---------------------|-----------------|-----------------|------------------|--------|--------|---------------|--------|---------------|---------|---------------|---------|---------------|---------|---------------|---------|---------------|---------|---------------|---------|---------------|---------|---------------|---------|---------------|---------|---------------|---------|---------------|
| TRAC-8-250-12BC-136 | 8 | 0.250 | 4x6 | 12" sq | 12 | 1"x36" | 20.0 | 500 | 20.0 | 500 | 20.0 | 500 | 20.0 | 500 | 20.0 | 500 | 20.0 | 500 | 20.0 | 500 | 20.0 | 500 | 16.8 | 420 | 15.2 | 380 | 13.8 | 345 | 12.0 | 300 |
| TRAC-10-250-12BC-136 | 10 | 0.250 | 4x6 | 12" sq | 12 | 1"x36" | 20.0 | 500 | 20.0 | 500 | 20.0 | 500 | 20.0 | 500 | 20.0 | 500 | 18.0 | 450 | 14.9 | 373 | 12.6 | 315 | 10.7 | 268 | 9.2 | 230 | 7.6 | 190 | | |
| TRAC-12-250-12BC-136 | 12 | 0.250 | 4x6 | 12" sq | 12 | 1"x36" | 20.0 | 500 | 20.0 | 500 | 20.0 | 500 | 18.9 | 473 | 17.1 | 428 | 14.0 | 350 | 11.5 | 288 | 9.4 | 235 | 7.7 | 193 | 6.5 | 163 | 5.3 | 133 | | |

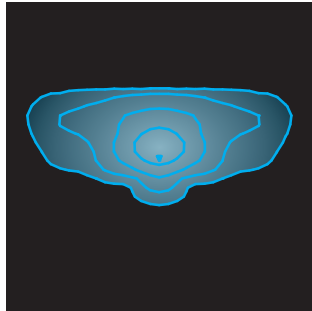
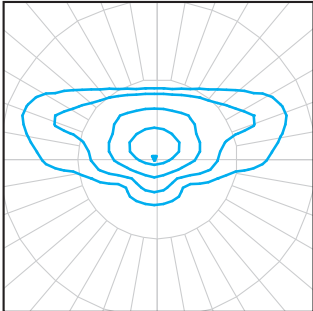
PRODUCT SPECIFICATIONS

IES DISTRIBUTIONS



T2 Optic

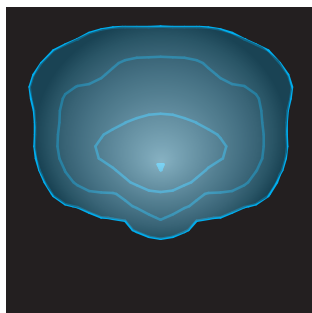
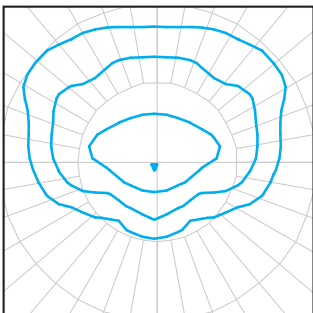
The Type II distribution is used for narrow pathways and trails, narrow entrances of shopping centers, parking lots and office complex's.



T3 Optic

The type III distribution is meant for roadway lighting, general parking areas and other areas where a larger area of lighting is required. Type III lighting needs to be placed to the side of the area, allowing the light to project outward and fill the area. This produces a filling light flow.

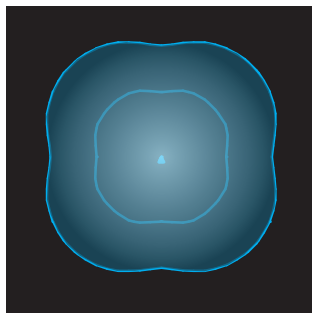
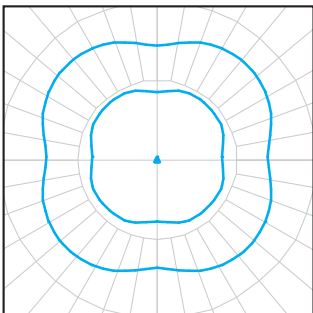
Type III light distributions have a preferred lateral width of 40 degrees. This distribution is intended for luminaires mounted at or near the side of medium width roadways or areas, where the width of the roadway or area does not exceed 2.75 times the mounting height.



T4 Optic

The type IV distribution produces a semicircular light meant for mounting on the sides of buildings and walls. It's best for illuminating the perimeter of parking areas and businesses. The intensity of the Type IV lighting has the same intensity at angles from 90 degrees to 270 degrees.

Type IV light distributions have a preferred lateral width of 60 degrees. This distribution is intended for side-of-road mounting and is generally used on wide roadways where the roadway width does not exceed 3.7 times the mounting height.



T5 Optic - Symmetrical

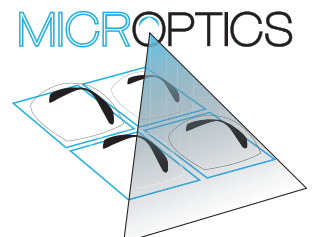
Type V produces a symmetrical distribution that has the same intensity at all angles. This distribution has a uniform symmetry of candlepower that is essentially the same at all lateral angles. It is meant for large, commercial parking lot lighting as well as areas where sufficient, evenly distributed light is necessary

SILICONE OPTICS

NLS Lighting Silicone Micro Optical System technology takes quality and performance to the highest level. Vandal resistant, superior clarity—Micro Optics have become the best and lasting solution in the industry.

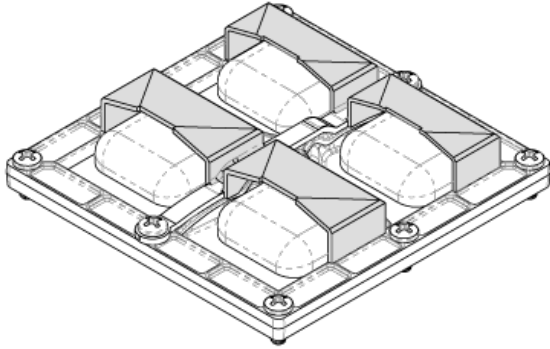
BENEFITS

- Produces superior 96% clarity
- Heat resistant to 150° C, 50% higher than acrylic
- Ecologically friendly—no glare
- Vandal-resistant
- Does not brittle, crack, or yellow over time

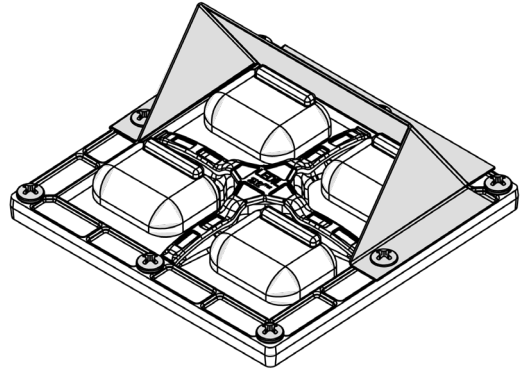


PRODUCT SPECIFICATIONS

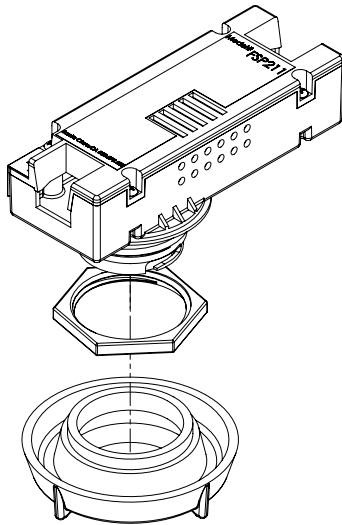
HOUSE SIDE SHIELD



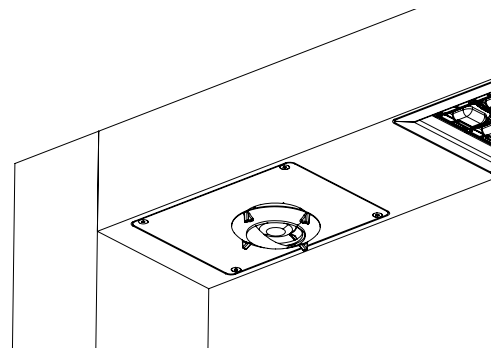
AUTOMOTIVE HOUSE SIDE SHIELD



FSP-211



Motion Sensor Placement



PRODUCT SPECIFICATIONS

TRAC POLE RECTANGULAR ALUMINUM POLE

SHAFT

Rectangular Aluminum Pole (RAP) shaft (.250 Wall) is 6061 T6 Extruded Aluminum, 4 X 6 inch to provide a seamless transition into the Trac fixture. Poles have ground lug welded inside hand-hole opposite side of the pole extrusion. Pole Extrusion is conjoined to Anchor Base by welding internal and external to pole shaft. For custom configuration consult Factory.

ANCHOR BOLTS

All anchor bolts are fully hot dipped galvanized and come with two galvanized nuts and washers per bolt. Anchor bolts are not included for Custom Bolt Circle. Anchor Bolts are "J" style, with a 4" hook at the end for added strength. 1" Anchor Bolts are 1" diameter x 36" long with a 4" long "J" hook.

ANCHOR BASE

Base plates are machined from 6061 Aluminum, 12" square, 1" thick with 1" anchor bolts.

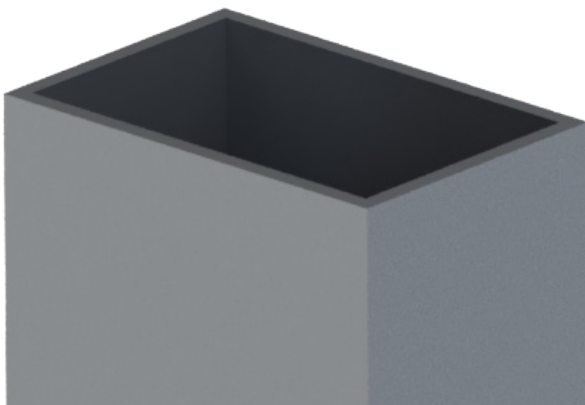
HAND HOLE COVER AND POLE CAP

All poles come with removable machined aluminum pole cap. All poles caps are powder coated to match the pole. All base covers are made of aluminum and powder coated to match the pole. Hand Hole is constructed of 3"x 5" rectangular aluminum tubing which is welded to pole shaft for added strength. Hand Hole covers are provided with internal bridge support and also powder coated to match pole finish.

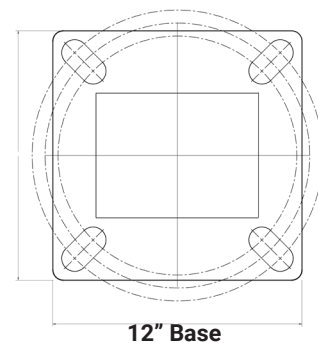
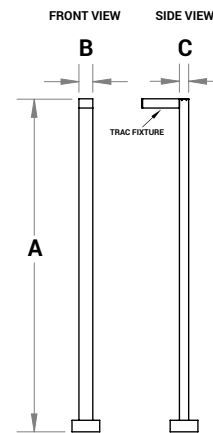
FINISH

All poles have minimum 3 to 5 mils powder coat finish. All poles are sandblasted prior to powder coat application.

RECTANGULAR ALUMINUM POLE DETAIL



- * Anchor Bolts are NOT included with Custom Bolt Circle.
- * Do NOT pour concrete referencing this drawing. Consult Factory.
- * Must Specify 4-Bolt Pattern.
- * Customer responsible for doing calculations if NLS pole is not ordered.



*Consult Factory for Bolt Circle Template

| DIMENSION | RAP |
|-----------|---------------------------|
| A | 8-12 ft. or Custom Height |
| B | 6 in. |
| C | 4 in. |