

AREA, SITE & ROADWAY

FORM AND FUNCTION

- Sleek, low profile housing
- Spec grade performance
- Engineered for optimum thermal management
- Low depreciation rate
- Reduces energy consumption and costs up to 65%
- Exceeds IES foot candle levels utilizing the least number of poles and fixtures per project
- Optical system designed for:
 - Parking Lots
 - Auto Dealerships
 - General Area Lighting

CONSTRUCTION

- Die Cast Aluminum
- External cooling fins
- Corrosion resistant external hardware
- One-piece silicone gasket ensures IP65 seal for electronics compartment
- One-piece Optics Plate™ mounting silicone Micro Optics
- Two-piece silicone Micro Optic system ensures IP67 level seal around each PCB
- Grade 2 Clear Anodized Optics Plate™ standard

FINISH

- 3-5 mils electrostatic powder coat.
- NLS' standard high-quality finishes prevent corrosion, protects against extreme environmental conditions

WARRANTY

Five-year limited warranty for drivers and LEDs.



BUY AMERICAN

To ensure the latest BAA/TAA/BABA Standards are being met, please select BAA, TAA, or BABA in the options section. Please contact the factory before placing an order for any NLS products requesting BAA (Buy American Act), TAA (Trade American Act), or BABA (Build America, Buy America).



LED WATTAGE CHART

	16L	32L	48L	64L
400 milliamps	21w	-	-	-
530 milliamps	28w	-	-	-
700 milliamps	36w	71w	104w	136w
1050 milliamps	56w	106w	156w	205w

Project Name:

Type:

--	--	--	--	--	--	--	--	--

Cat#	Light Dist.	# of LEDs	Milliamps	Kelvin	Volts	Mounting	Color	Options
NV-1 (NV-1)	Type 2 (T2)	16 (16L)	400 (40)	Amber 585-600nm (AMBER) ^{①②}	120-277 (UNV)	Architectural Sweep Arm (ASA)	Bronze Textured (BRZ)	Bird Spikes (BS) Marine Grade Finish (MGF) Optic Plate Painted to Match Fixture (OPP) Nema 7-Pin Receptacle (PE7) Photocell + Receptacle (PCR) Receptacle + Shorting Cap (PER) FSP-211 with Motion Sensor (FSP-20) ⑨ 9'-20" Heights (FSP-40) ⑨ 21'-40" Heights Quick Mount Bracket (QMB) Retrofit Mount Bracket (RQMB) Round Pole Adaptor 3"- 4" Pole (RPA4) Round Pole Adaptor 5"- 6" Pole (RPA5) Rotated Optic Left (ROL) Rotated Optic Right (ROR) Automotive House Side Shield (AHS) House Side Shield (HSS) ^⑨ Black Hardware (BH) Black Optic Frame (BOF) Glass Lens (GL) ^⑨ HAL Lens (HAL) ^⑨ Buy American (BAA) ^① Trade American (TAA) ^① Build America Buy American (BABA) ^① Custom Controls Integration (CCI) ^② Button Type Photocell (PC) ^②
	Type 3 (T3)	32 (32L)	530 (53)	2700K, 70 CRI (27K7) ^⑤	347-480 (HV)	Direct Pole 3" Arm Single, D180 (DPS3) ^②	White Textured (WHT)	
	Type 4 (T4)	48 (48L)	700 (7)	2700K, 80 CRI (27K8) ^{①⑤}		Direct Pole 7" Arm D180, D90, T90, T120, Quad (DPS7) ^②	Smooth White Gloss (SWT)	
	Type 5 (T5)	64 (64L)	1050 (1)	3000K, 70 CRI (30K7) ^⑤		Knuckle Mount (KM)	Silver (SVR)	
	Nema 3 30° Narrow Beam (N3)			3000K, 80 CRI (30K8) ^{①⑤}		Wall Mount (WM)	Black Textured (BLK)	
Notes:				3500K, 80 CRI (35K8)		Trunnion Mount (TM) ^⑥	Smooth Black Gloss (SBK)	
① Consult Factory for Lead Time. Consult Factory for 90 CRI Requests.				4000K, 70 CRI (40K7)		Tennis Arm Mount (TA)	Graphite Textured (GPH)	
② For Round Pole Specify RPA4 or RPA5				4000K, 80 CRI (40K8) ^①		Mast Arm Mount (MA)	Grey Textured (GRY)	
③ Standard finish is stainless steel. Can be painted to match fixture				5000K, 70 CRI (50K7)			Green (GRN)	
④ Universal Voltage 120-277				5000K, 80 CRI (50K8) ^①			Hunter Green (HGN)	
⑤ HSS not applicable with Nema 2 and Nema 3 Optics							Custom (CS)	
⑥ 3000K or lower, with fixed mounting options only, must be selected to meet International Dark-Sky Association certification.								
⑦ Glass Lens: Low iron glass, fully tempered per ANSI C1047 (QCH-2201-37)								
⑧ HAL Lens: Clear Soda-Lime-Silica Float Glass, Yellow (Spectrum Yellow Smooth 161S), Annealed, 1/8"								
⑨ Please contact Factory for Custom Control Integration requests (nLight, NX, WaveLinX, Crestron, DMX/RDM, Synapse, Casambi, Dali II, Avi-On, or other control systems)								
⑩ Turtle Safe								
⑪ Consult factory for all BAA/TAA/BABA requests								
⑫ Contact Factory								

PRODUCT SPECIFICATIONS

ELECTRICAL

- 120-277 Volts (UNV) or 347-480 Volts (HV)
- 0-10V dimming driver
- Driver power factor at maximum load is $\geq .95$, THD maximum load is 15%
- LED Drivers Ambient Temp. Min is -40°C and Ambient Temp. Max ranges from 50°C to 55°C and, in some cases, even higher. Consult the factory for revalidation by providing the fixture catalog string before quoting and specifying it.
- All internal wiring UL certified for 600 VAC and 105°C
- All drivers, controls, and sensors housed in enclosed IP65 compartment
- CRI 70, 80 or 90 (Contact factory for 90 CRI)
- Color temperatures: Amber, 2700K, 3000K, 3500K, 4000K, 5000K
- Surge Protection: 20KVA supplied as standard.

CONSTRUCTION

- Die Cast Aluminum
- External cooling fins
- Corrosion resistant external hardware
- One-piece silicone gasket ensures IP65 seal for electronics compartment
- One-piece Optics Plate™ mounting silicone Micro Optics
- Two-piece silicone Micro Optic system ensures IP67 level seal around each PCB
- Grade 2 Clear Anodized Optics Plate™ standard

OPTIONS

- BIRD SPIKES (BS) - Offers a practical and humane deterrent for larger bird species and provides a cost-effective long-term solution to nuisance bird infestations and protects your property.
- MARINE GRADE FINISH (MGF) - A multi-step process creating protective finishing coat against harsh environments. Chemically washed in a 5 stage cleaning system. Pre-baked, Powder coated 3-5 mils of Zinc Rich Super Durable Polyester Primer. Oven Baked. Finished Powder Coating of Super Durable Polyester Powder Coat 3-5 mil thickness.
- OPTIC PLATE PAINTED TO MATCH FIXTURE (OPP) - Optic plate is clear anodized as standard. The optic plate can be powder coated to match the finish of the fixture.
- QUICK MOUNT BRACKET (QMB) - Optional Cast Aluminum Bracket designed for quick mounting on Direct Square or Round Poles. Cleat mounts directly to pole for easily hung fixtures. Has a 2"x4" Drill Pattern.
- RETROFIT MOUNT BRACKET - Optional Cast Aluminum Bracket designed for quick mounting on Direct Square or Round Poles. Cleat mounts directly to pole for easily hung fixtures. Drill Pattern is adjustable from 2"x4" to 2"x6".
- ROUND POLE ADAPTER (RPA) - When using round poles, specify Round Pole Adapter (RPA). Specify RPA4 when installing on 3"-4" round poles, and RPA5 when installing on 5"-6" round poles.
- ROTATED OPTICS (ROL) (ROR) - Rotated optics are designed for perimeter lighting for auto dealerships.
- SHIELDS (HSS, AHS) - House Side Shield (HSS) is designed for full property line cut-off. Automotive House Side Shield (AHS) is a single-sided shield allowing partial cut-off on either side or front of luminaire.
- BLACK HARDWARE (BH) - Optional black, zinc coated steel hardware.
- BLACK OPTIC FRAME (BOF) - Optional black optic frame. Standard is white.
- GLASS LENS (GL) - Low Iron Glass, fully tempered.
- HIGH PERFORMANCE AMBER LENS (HAL) -

CONTROL OPTIONS

- FSP-211 (FSP-X) - Passive infrared (PIR) sensor providing multi-level control based on motion/daylight contribution.
- All control parameters adjustable via wireless configuration remote storing and transmitting sensor profiles.
- FSP-20 mounting heights 9-20 feet
- FSP-40 mounting heights 21-40 feet.
- Includes 5 dimming event cycles, 0-10V dimming with motion sensing, re-programmable in the field.
- FSIR-100 commissioning remote is required to change sensor settings. Please contact factory for ordering.
- NEMA 7-PIN RECEPTACLE (PE7)—An ANSI C136.41-2013 receptacle provides electrical and mechanical interconnection between photo control cell and luminaire. Dimming receptacle available two or four dimming contacts supports 0-10 VDC dimming methods or Digital Addressable Lighting Interface (DALI), providing reliable power interconnect.
- PHOTOCCELL + RECEPTACLE (PCR)—7-Pin Receptacle and Electronic Twist Lock Photocell for dusk to dawn operation.
- RECEPTACLE + SHORTING CAP (PER)—7-Pin Receptacle and Shorting Cap.
- Controls Agnostic: Please contact factory for your preferred controls option. (nLight, NX, WaveLinx, Crestron, DMX/RDM, Synapse, Casambi, DALI II, Avi-On, or other control systems)

FINISH

- 3-5 mils electrostatic powder coat.
- NLS Light's standard high-quality finishes prevent corrosion protects against and extreme environmental conditions

WARRANTY

Five-year limited warranty for drivers and LEDs.

OPTICS

Silicone optics high thermal stability and light output provide higher powered LEDs with minimized lumen depreciation. UV stability with scratch resistance increases exterior application durability. Silicone optics do not yellow, crack or brittle over time

LISTINGS

- Certified to UL 1598
- UL 8750
- CSA C22.2 No. 250.0
- DesignLights Consortium® (DLC)
- DesignLights Consortium Premium® (DLCP)
- IP65/ IP67 Rated
- 3G Vibration Rated per ANSI C136.31-2010
- IDA Dark Sky Approved
- IK10 Rated

BUY AMERICAN OPTION

While all of the NLS Lighting products listed in this document qualify for the Buy America(n) Act of 1933, we reserve the right to change our listings without notice.

The information provided above is for general informational purposes only. We encourage you to consult legal professionals for advice particular to your projects concerning BAA, TAA, BABA or Buy America.

Additional NLS Products that meet BAA, TAA standards can be found at the following link:

<https://nslighting.com/buy-american/>



The information and specifications on this document are subject to change without any notification. All values are design, nominal, typical or prorated values when measured under internal and external laboratory conditions.

NLS
LIGHTING

701 Kingshill Place, Carson, CA 90746
Call Us Today (310) 341-2037

nslighting.com

LUMENS

PART NUMBER	N3	LM/W	T2	LM/W	T3	LM/W	T4	LM/W	T4 AHS	LM/W	T5	LM/W	W
NV-1-16L-40-27K7			2324	111	2342	112	2307	110			2360	112	21
NV-1-16L-40-27K8			2176	104	2193	104	2160	103			2210	105	21
NV-1-16L-40-30K8			2333	111	2351	112	2316	110			2369	113	21
NV-1-16L-40-30K7			2513	120	2532	121	2494	119			2552	122	21
NV-1-16L-40-35K8			2333	111	2351	112	2316	110			2369	113	21
NV-1-16L-40-40K8			2513	120	2532	121	2494	119			2552	122	21
NV-1-16L-40-40K7			2715	129	2736	130	2695	128			2757	131	21
NV-1-16L-40-50K8			2513	120	2532	121	2494	119			2552	122	21
NV-1-16L-40-50K7			2715	129	2736	130	2695	128			2757	131	21
NV-1-16L-53-30K7	3136	112	3192	114	3220	115	3119	113	2016	72	3248	116	28
NV-1-16L-53-40K7	3248	116	3472	124	3472	124	3444	123	2128	76	3500	125	28
NV-1-16L-53-50K7	3360	120	3612	129	3640	130	3584	128	2240	80	3668	131	28
NV-1-16L-7-30K7	4032	112	3960	110	3960	110	3973	109	2592	72	3996	111	36
NV-1-16L-7-40K7	4176	116	4428	123	4284	119	4212	117	2736	76	4320	120	36
NV-1-16L-7-50K7	4320	120	4644	129	4500	125	4428	123	2880	80	4500	125	36
NV-1-16L-1-30K7	6272	112	6160	110	6384	114	6232	112	4032	72	6440	115	56
NV-1-16L-1-40K7	6496	116	6832	122	6888	123	6776	121	4256	76	6944	124	56
NV-1-16L-1-50K7	6720	120	7168	128	7224	129	7112	127	4480	80	7280	130	56
NV-1-32L-7-30K7	7952	112	7810	110	7810	110	7739	109	5112	72	7881	111	71
NV-1-32L-7-40K7	8236	116	9017	127	8449	119	8307	117	5396	76	8520	120	71
NV-1-32L-7-50K7	8520	120	9159	129	8875	125	8733	123	5680	80	8946	126	71
NV-1-32L-1-30K7	11872	112	11660	110	12084	114	11820	112	7632	72	12190	115	106
NV-1-32L-1-40K7	12296	116	12932	122	13038	123	12826	121	8056	76	13144	124	106
NV-1-32L-1-50K7	12720	120	13568	128	13674	129	13462	127	8480	80	13780	130	106
NV-1-48L-7-30K7	11648	112	11440	110	11440	110	11336	109	7488	72	11544	111	104
NV-1-48L-7-40K7	12064	116	13208	127	12376	119	12168	117	7904	76	12480	120	104
NV-1-48L-7-50K7	12480	120	13520	130	13000	125	12792	123	8320	80	13104	126	104
NV-1-48L-1-30K7	17472	112	17160	110	17784	114	17472	112	11232	72	17940	115	156
NV-1-48L-1-40K7	18096	116	19032	122	19188	123	18876	121	11856	76	19344	124	156
NV-1-48L-1-50K7	18720	120	19968	128	20124	129	19812	127	12480	80	20280	130	156
NV-1-64L-7-30K7	15232	112	14960	110	14960	110	14824	109	9792	72	15096	111	136
NV-1-64L-7-40K7	15776	116	17272	127	16184	119	15912	117	10336	76	16320	120	136
NV-1-64L-7-50K7	16320	120	17680	130	17000	125	16728	123	10880	80	17136	126	136
NV-1-64L-1-30K7	22960	112	22550	110	23370	114	22960	112	14760	72	23575	115	205
NV-1-64L-1-40K7	23780	116	25010	122	25215	123	24805	121	15580	76	25420	124	205
NV-1-64L-1-50K7	24600	120	26240	128	26445	129	26035	127	16400	80	26650	130	205

3000K or lower, with fixed mounting options only, must be selected to meet International Dark-Sky Association certification.

Lumen Maintenance Data

Ambient Temperature	Drive Current	L90 Hours*	L70 Hours**	30,000 Hours*	50,000 Hours*	60,000 Hours*	100,000 Hours**
25°C	Up to 700mA	58,000	173,000	95.7%	91.6%	89.6%	82.1%
	1050mA	48,000	143,000	94.3%	89.5%	87.2%	78.5%

*Reported extrapolations per IESNA TM-21 **Projected extrapolations per IESNA TM-21



701 Kingshill Place, Carson, CA 90746
Call Us Today (310) 341-2037

nlsighting.com

BUG RATINGS

PART NUMBER	T2	T3	T4	T5
NV-1-16L-40-27K7				
NV-1-16L-40-27K8				
NV-1-16L-40-30K8				
NV-1-16L-40-30K7				
NV-1-16L-40-35K8				
NV-1-16L-40-40K8				
NV-1-16L-40-40K7				
NV-1-16L-40-50K8				
NV-1-16L-40-50K7				
NV-1-16L-53-30K7	B1-U0-G1	B1-U0-G1	B1-U0-G1	B2-U0-G1
NV-1-16L-53-40K7	B1-U0-G1	B1-U0-G1	B1-U0-G1	B2-U0-G1
NV-1-16L-53-50K7	B1-U0-G1	B1-U0-G1	B1-U0-G1	B2-U0-G1
NV-1-16L-7-30K7	B1-U0-G1	B1-U0-G1	B1-U0-G1	B3-U0-G1
NV-1-16L-7-40K7	B1-U0-G1	B1-U0-G1	B1-U0-G1	B3-U0-G1
NV-1-16L-7-50K7	B1-U0-G1	B1-U0-G1	B1-U0-G1	B3-U0-G1
NV-1-16L-1-30K7	B1-U0-G1	B1-U0-G1	B1-U0-G1	B3-U0-G1
NV-1-16L-1-40K7	B1-U0-G1	B2-U0-G2	B2-U0-G2	B3-U0-G2
NV-1-16L-1-50K7	B1-U0-G2	B2-U0-G2	B2-U0-G2	B3-U0-G2
NV-1-32L-7-30K7	B1-U0-G2	B2-U0-G2	B2-U0-G2	B3-U0-G2
NV-1-32L-7-40K7	B1-U0-G2	B2-U0-G2	B2-U0-G2	B3-U0-G2
NV-1-32L-7-50K7	B2-U0-G2	B2-U0-G2	B2-U0-G2	B3-U0-G2
NV-1-32L-1-30K7	B2-U0-G2	B2-U0-G2	B2-U0-G2	B4-U0-G2
NV-1-32L-1-40K7	B2-U0-G2	B2-U0-G2	B3-U0-G2	B4-U0-G2
NV-1-32L-1-50K7	B2-U0-G2	B3-U0-G3	B3-U0-G3	B4-U0-G2
NV-1-48L-7-30K7	B2-U0-G2	B2-U0-G2	B2-U0-G2	B4-U0-G2
NV-1-48L-7-40K7	B2-U0-G2	B2-U0-G2	B2-U0-G2	B4-U0-G2
NV-1-48L-7-50K7	B2-U0-G2	B3-U0-G3	B2-U0-G2	B4-U0-G2
NV-1-48L-1-30K7	B3-U0-G3	B3-U0-G3	B3-U0-G3	B4-U0-G2
NV-1-48L-1-40K7	B3-U0-G3	B3-U0-G3	B3-U0-G3	B5-U0-G3
NV-1-48L-1-50K7	B3-U0-G3	B3-U0-G3	B3-U0-G3	B5-U0-G3
NV-1-64L-7-30K7	B2-U0-G2	B3-U0-G3	B3-U0-G3	B4-U0-G2
NV-1-64L-7-40K7	B3-U0-G3	B3-U0-G3	B3-U0-G3	B4-U0-G2
NV-1-64L-7-50K7	B3-U0-G3	B3-U0-G3	B3-U0-G3	B4-U0-G2
NV-1-64L-1-30K7	B3-U0-G3	B3-U0-G3	B3-U0-G3	B5-U0-G3
NV-1-64L-1-40K7	B3-U0-G3	B3-U0-G3	B3-U0-G4	B5-U0-G3
NV-1-64L-1-50K7	B3-U0-G3	B3-U0-G3	B3-U0-G4	B5-U0-G3



701 Kingshill Place, Carson, CA 90746
 Call Us Today (310) 341-2037

nlsighting.com

LUMENS HSS

PART NUMBER	T2 HSS	LM/W	BUG	T3 HSS	LM/W	BUG	T4 HSS	LM/W	BUG	W
NV-1-16L-40-27K7										21
NV-1-16L-40-27K8										21
NV-1-16L-40-30K8										21
NV-1-16L-40-30K7										21
NV-1-16L-40-35K8										21
NV-1-16L-40-40K8										21
NV-1-16L-40-40K7										21
NV-1-16L-40-50K8										21
NV-1-16L-40-50K7										21
NV-1-16L-530-27K7	1837	66	B0-U0-G0	1771	63	B0-U0-G0	1780	64	B0-U0-G1	28
NV-1-16L-530-27K8	1720	61	B0-U0-G0	1658	59	B0-U0-G0	1666	60	B0-U0-G0	28
NV-1-16L-530-30K8	1844	66	B0-U0-G0	1777	63	B0-U0-G0	1787	64	B0-U0-G1	28
NV-1-16L-530-30K7	1986	71	B0-U0-G0	1914	68	B0-U0-G1	1924	69	B0-U0-G1	28
NV-1-16L-530-35K8	1844	66	B0-U0-G0	1777	63	B0-U0-G0	1787	64	B0-U0-G1	28
NV-1-16L-530-40K8	1986	71	B0-U0-G0	1914	68	B0-U0-G0	1924	69	B0-U0-G1	28
NV-1-16L-530-40K7	2146	77	B0-U0-G0	2068	74	B0-U0-G1	2079	74	B0-U0-G1	28
NV-1-16L-530-50K8	1986	71	B0-U0-G0	1914	68	B0-U0-G0	1924	69	B0-U0-G1	28
NV-1-16L-530-50K7	2146	77	B0-U0-G0	2068	74	B0-U0-G1	2079	74	B0-U0-G1	28
NV-1-16L-700-27K7	2426	67	B0-U0-G1	2338	65	B0-U0-G1	2350	65	B0-U0-G1	36
NV-1-16L-700-27K8	2272	63	B0-U0-G1	2190	61	B0-U0-G1	2201	61	B0-U0-G1	36
NV-1-16L-700-30K8	2436	68	B0-U0-G1	2348	65	B0-U0-G1	2360	66	B0-U0-G1	36
NV-1-16L-700-30K7	2623	73	B0-U0-G1	2528	70	B0-U0-G1	2541	71	B0-U0-G1	36
NV-1-16L-700-35K8	2436	68	B0-U0-G1	2348	65	B0-U0-G1	2360	66	B0-U0-G1	36
NV-1-16L-700-40K8	2623	73	B0-U0-G1	2528	70	B0-U0-G1	2541	71	B0-U0-G1	36
NV-1-16L-700-40K7	2835	79	B0-U0-G1	2732	76	B0-U0-G1	2746	76	B0-U0-G1	36
NV-1-16L-700-50K8	2623	73	B0-U0-G1	2528	70	B0-U0-G1	2541	71	B0-U0-G1	36
NV-1-16L-700-50K7	2835	79	B0-U0-G1	2732	76	B0-U0-G1	2746	76	B0-U0-G1	36
NV-1-16L-1050-27K7	3639	65	B0-U0-G1	3508	63	B0-U0-G1	3526	63	B0-U0-G1	56
NV-1-16L-1050-27K8	3408	61	B0-U0-G1	3284	59	B0-U0-G1	3301	59	B0-U0-G1	56
NV-1-16L-1050-30K8	3654	65	B1-U0-G1	3521	63	B0-U0-G1	3539	63	B0-U0-G1	56
NV-1-16L-1050-30K7	3935	70	B1-U0-G1	3792	68	B0-U0-G1	3812	68	B0-U0-G1	56
NV-1-16L-1050-35K8	3654	65	B1-U0-G1	3521	63	B0-U0-G1	3539	63	B0-U0-G1	56
NV-1-16L-1050-40K8	3935	70	B1-U0-G1	3792	68	B0-U0-G1	3812	68	B0-U0-G1	56
NV-1-16L-1050-40K7	4252	76	B1-U0-G1	4098	73	B0-U0-G1	4119	74	B0-U0-G1	56
NV-1-16L-1050-50K8	3935	70	B1-U0-G1	3792	68	B0-U0-G1	3812	68	B0-U0-G1	56
NV-1-16L-1050-50K7	4252	76	B1-U0-G1	4098	73	B0-U0-G1	4119	74	B0-U0-G1	56
NV-1-32L-700-27K7	4853	68	B1-U0-G1	4677	66	B0-U0-G1	4701	66	B0-U0-G1	71
NV-1-32L-700-27K8	4544	64	B1-U0-G1	4379	62	B0-U0-G1	4402	62	B0-U0-G1	71
NV-1-32L-700-30K8	4872	69	B1-U0-G1	4695	66	B0-U0-G1	4719	66	B0-U0-G2	71
NV-1-32L-700-30K7	5247	74	B1-U0-G1	5057	71	B0-U0-G1	5083	72	B1-U0-G2	71
NV-1-32L-700-35K8	4872	69	B1-U0-G1	4695	66	B0-U0-G1	4719	66	B0-U0-G2	71
NV-1-32L-700-40K8	5247	74	B1-U0-G1	5057	71	B0-U0-G1	5083	72	B1-U0-G2	71
NV-1-32L-700-40K7	5669	80	B1-U0-G1	5464	77	B0-U0-G2	5492	77	B1-U0-G2	71
NV-1-32L-700-50K8	5247	74	B1-U0-G1	5057	71	B0-U0-G1	5083	72	B1-U0-G2	71
NV-1-32L-700-50K7	5669	80	B1-U0-G1	5464	77	B0-U0-G2	5492	77	B1-U0-G2	71
NV-1-32L-1050-27K7	7279	69	B1-U0-G2	7015	66	B1-U0-G2	7051	67	B1-U0-G2	106
NV-1-32L-1050-27K8	6816	64	B1-U0-G2	6569	62	B1-U0-G2	6602	62	B1-U0-G2	106
NV-1-32L-1050-30K8	7307	69	B1-U0-G2	7043	66	B1-U0-G2	7079	67	B1-U0-G2	106
NV-1-32L-1050-30K7	7870	74	B1-U0-G2	7585	72	B1-U0-G2	7624	72	B1-U0-G2	106
NV-1-32L-1050-35K8	7307	69	B1-U0-G2	7043	66	B1-U0-G2	7079	67	B1-U0-G2	106
NV-1-32L-1050-40K8	7870	74	B1-U0-G2	7585	72	B1-U0-G2	7624	72	B1-U0-G2	106
NV-1-32L-1050-40K7	8504	80	B1-U0-G2	8196	77	B1-U0-G2	8238	78	B1-U0-G2	106
NV-1-32L-1050-50K8	7870	74	B1-U0-G2	7585	72	B1-U0-G2	7624	72	B1-U0-G2	106
NV-1-32L-1050-50K7	8504	80	B1-U0-G2	8196	77	B1-U0-G2	8238	78	B1-U0-G2	106
NV-1-48L-700-27K7	7279	70	B1-U0-G2	7015	67	B1-U0-G2	7051	68	B1-U0-G2	104
NV-1-48L-700-27K8	6816	66	B1-U0-G2	6569	63	B1-U0-G2	6602	63	B1-U0-G2	104
NV-1-48L-700-30K8	7307	70	B1-U0-G2	7043	68	B1-U0-G2	7079	68	B1-U0-G2	104
NV-1-48L-700-30K7	7870	76	B1-U0-G2	7585	73	B1-U0-G2	7624	73	B1-U0-G2	104
NV-1-48L-700-35K8	7307	70	B1-U0-G2	7043	68	B1-U0-G2	7079	68	B1-U0-G2	104
NV-1-48L-700-40K8	7870	76	B1-U0-G2	7585	73	B1-U0-G2	7624	73	B1-U0-G2	104
NV-1-48L-700-40K7	8504	82	B1-U0-G2	8196	79	B1-U0-G2	8238	79	B1-U0-G2	104
NV-1-48L-700-50K8	7870	76	B1-U0-G2	7585	73	B1-U0-G2	7624	73	B1-U0-G2	104
NV-1-48L-700-50K7	8504	82	B1-U0-G2	8196	79	B1-U0-G2	8238	79	B1-U0-G2	104
NV-1-48L-1050-27K7	10918	70	B1-U0-G2	10523	67	B1-U0-G2	10577	68	B1-U0-G2	156
NV-1-48L-1050-27K8	10223	66	B1-U0-G2	9853	63	B1-U0-G2	9903	63	B1-U0-G2	156
NV-1-48L-1050-30K8	10961	70	B1-U0-G2	10564	68	B1-U0-G2	10618	68	B1-U0-G2	156
NV-1-48L-1050-30K7	11805	76	B1-U0-G2	11377	73	B1-U0-G2	11436	73	B1-U0-G2	156
NV-1-48L-1050-35K8	10961	70	B1-U0-G2	10564	68	B1-U0-G2	10618	68	B1-U0-G2	156
NV-1-48L-1050-40K8	11805	76	B1-U0-G2	11377	73	B1-U0-G2	11436	73	B1-U0-G2	156
NV-1-48L-1050-40K7	12755	82	B1-U0-G2	12293	79	B1-U0-G2	12356	79	B1-U0-G2	156
NV-1-48L-1050-50K8	11805	76	B1-U0-G2	11377	73	B1-U0-G2	11436	73	B1-U0-G2	156
NV-1-48L-1050-50K7	12755	82	B1-U0-G2	12293	79	B1-U0-G2	12356	79	B1-U0-G2	156
NV-1-64L-700-27K7	9705	71	B1-U0-G2	9354	69	B1-U0-G2	9402	69	B1-U0-G2	136
NV-1-64L-700-27K8	9087	67	B1-U0-G2	8758	64	B1-U0-G2	8803	65	B1-U0-G2	136
NV-1-64L-700-30K8	9743	72	B1-U0-G2	9390	69	B1-U0-G2	9438	69	B1-U0-G2	136
NV-1-64L-700-30K7	10493	77	B1-U0-G2	10113	74	B1-U0-G2	10165	75	B1-U0-G2	136
NV-1-64L-700-35K8	9743	72	B1-U0-G2	9390	69	B1-U0-G2	9438	69	B1-U0-G2	136
NV-1-64L-700-40K8	10493	77	B1-U0-G2	10113	74	B1-U0-G2	10165	75	B1-U0-G2	136
NV-1-64L-700-40K7	11338	83	B1-U0-G2	10927	80	B1-U0-G2	10983	81	B1-U0-G2	136
NV-1-64L-700-50K8	10493	77	B1-U0-G2	10113	74	B1-U0-G2	10165	75	B1-U0-G2	136
NV-1-64L-700-50K7	11338	83	B1-U0-G2	10927	80	B1-U0-G2	10983	81	B1-U0-G2	136
NV-1-64L-1050-27K7	14558	71	B1-U0-G2	14031	68	B1-U0-G2	14103	69	B1-U0-G3	205
NV-1-64L-1050-27K8	13631	66	B1-U0-G2	13137	64	B1-U0-G2	13205	64	B1-U0-G3	205
NV-1-64L-1050-30K8	14615	71	B1-U0-G2	14085	69	B1-U0-G2	14157	69	B1-U0-G3	205
NV-1-64L-1050-30K7	15740	77	B1-U0-G2	15170	74	B1-U0-G3	15248	74	B1-U0-G3	205
NV-1-64L-1050-35K8	14615	71	B1-U0-G2	14085	69	B1-U0-G2	14157	69	B1-U0-G3	205
NV-1-64L-1050-40K8	15740	77	B1-U0-G2	15170	74	B1-U0-G3	15248	74	B1-U0-G3	205
NV-1-64L-1050-40K7	17007	83	B2-U0-G2	16391	80	B1-U0-G3	16475	80	B1-U0-G3	205
NV-1-64L-1050-50K8	15740	77	B1-U0-G2	15170	74	B1-U0-G3	15248	74	B1-U0-G3	205
NV-1-64L-1050-50K7	17007	83	B2-U0-G2	16391	80	B1-U0-G3	16475	80	B1-U0-G3	205

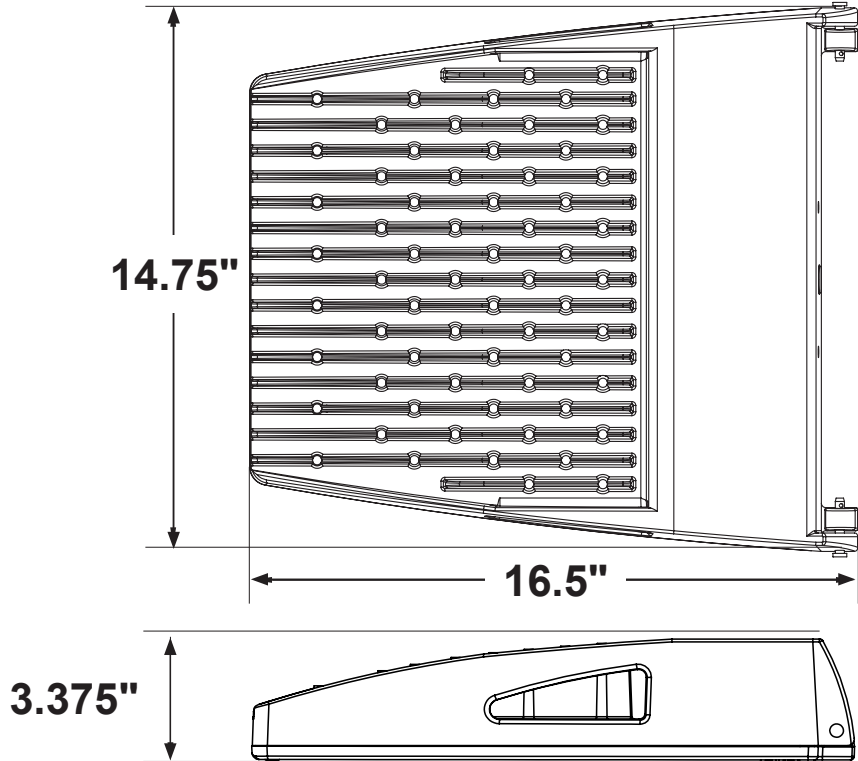
3000K or lower, with fixed mounting options only, must be selected to meet International Dark-Sky Association certification.



701 Kingshill Place, Carson, CA 90746
Call Us Today (310) 341-2037

nslighting.com

PRODUCT SPECIFICATIONS

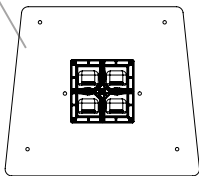


Weight: 24 lbs

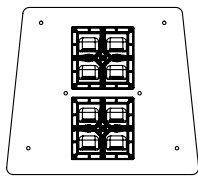
OPTICAL CONFIGURATIONS

Rotatable Optics (ROR) Rotated Right, (ROL) Rotated Left options available. Optics field and factory rotatable.

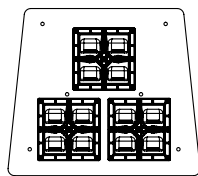
(OPP)



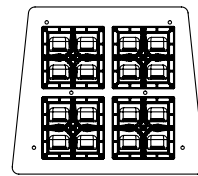
NV-1 / 16L



NV-1 / 32L

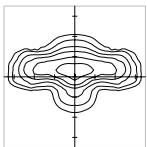


NV-1 / 48L

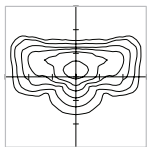


NV-1 / 64L

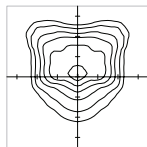
* OPTIC PLATE PAINTED TO MATCH FIXTURE FINISH (OPP)– Optic Plate standard clear anodized, Grade 2. When (OPP) specified, Optic Plate finish will match fixture finish.



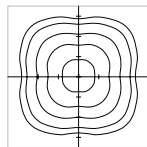
TYPE II (T2)



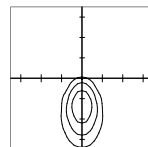
TYPE III (T3)



TYPE IV (T4)



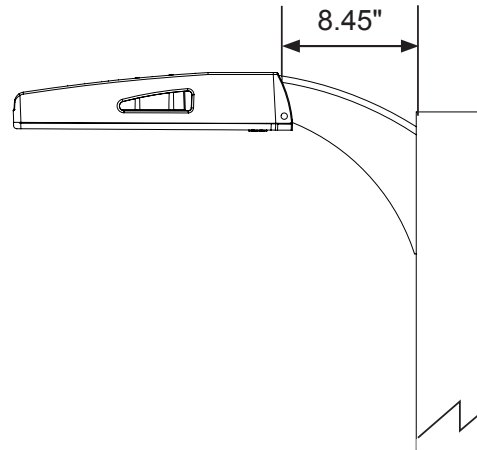
TYPE V (T5)



MOUNTING OPTIONS

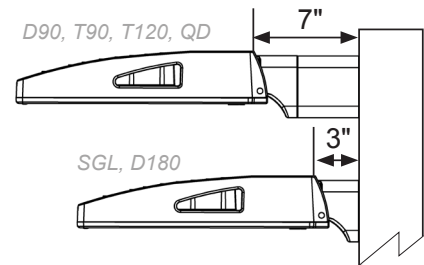
ARCHITECTURAL SWEEP ARM (ASA)

Cast Sweep Arm includes (as standard)
Internal Quick Mount Bracket.



DIRECT POLE (DP)

Standard mounting arm is extruded
aluminum in lengths of 3" and 7".
**Arm lengths may vary depending on configuration*

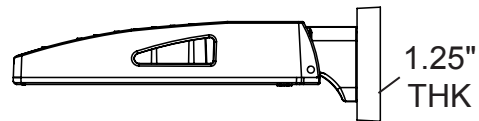


DPX ARM LENGTH

DPX ARM LENGTH	SGL	D90	D180	D180	T90	T120	QD
NV-1	3"	7"	3"	7"	7"	7"	7"

WALL MOUNT (WM)

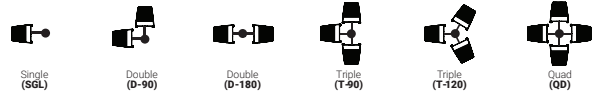
Cast Aluminum Plate for direct wall
mount. 3" extruded aluminum arm
mounts directly to a cast wall mount box.



EPA

EPA	SGL	D90	D180	T90	T120	QD
NV-1-DP3	0.46		0.92			
NV-1-DP7		1.14	1.05	1.34	1.37	1.34
NV-1-KM	0.54	N/A	1.08	N/A	N/A	N/A
NV-1-ASA	0.75	1.29	1.50	1.99	2.05	1.99

MOUNTING CONFIGURATION

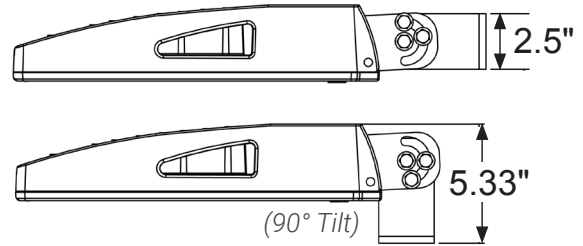


MOUNTING OPTIONS

TRUNNION MOUNT (TM)

Steel, bolt-on-mounting for adjustable installation with a maximum uplift of 90 degrees.

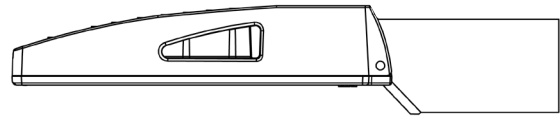
**Unpainted stainless steel is standard*



TENNIS ARM (TA)

Steel fitter slips over 3.5" x 1.5" rectangular arm.

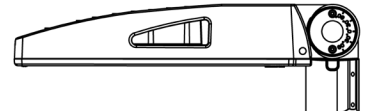
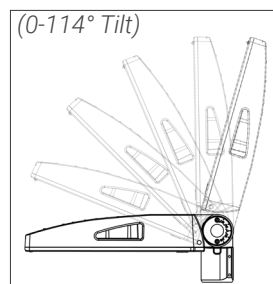
**See Tennis Arm Spec Sheet for details*



KNUCKLE MOUNT (KM)

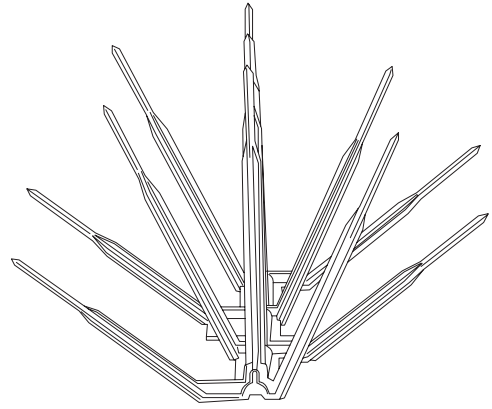
Die Cast Knuckle great for adjustable installation on 2-3/8" OD vertical or horizontal tenon.

- Max Up-tilt of 90 degrees
- Adjustable in 6 degree increments
- 1.5G Vibration Rated per ANSI C136.31-2010



BIRD SPIKES (BS)

Bird Spikes offers effective and humane deterrent for larger bird species and provides cost-effective long-term solution to nuisance bird infestations and protect your property.



MARINE GRADE FINISH (MGF)

The **(MGF)** is a multi step process. Chemically washed in a 5 stage cleaning system. Pre-baked. Powder coated 3-5 mils of Zinc Rich Super Durable Polyester Primer. Oven Baked. Finished Powder Coating of Super Durable Polyester Powder Coat 3-5 mil thickness.



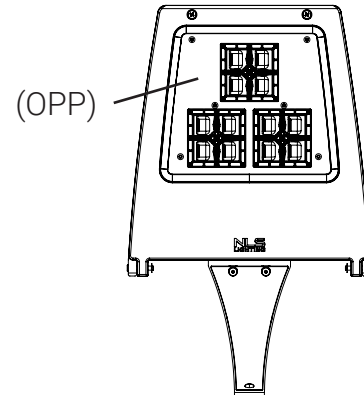
Powder Coat Finish
3-5mm Powder Coat

Primer Layer
3-5mm Zinc Rich
Super Durable Polyester Primer

Prepared Casting
Chemically washed in multi Step 5 stage
cleaning process

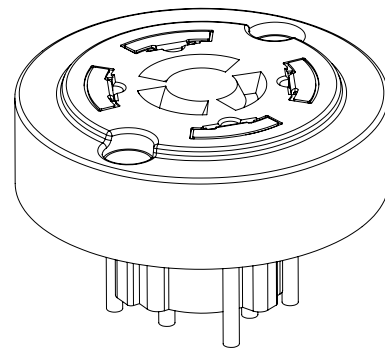
OPTIC PLATE PAINTED TO MATCH (OPP)

Optic plate is clear anodized as standard. The optic plate can be powder coated to match the finish of the fixture.



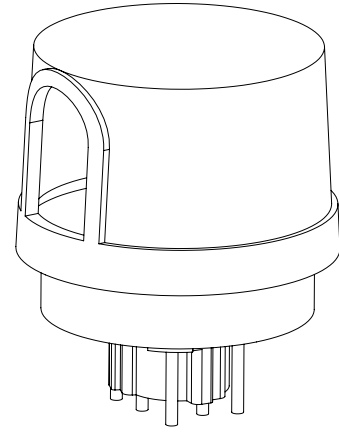
NEMA 7-PIN RECEPTACLE (PE7)

An ANSI C136.41-2013 receptacle provides electrical and mechanical interconnection between photo control cell and luminaire. Dimming receptacle available two or four dimming contacts supports 0-10 VDC dimming methods or Digital Addressable Lighting Interface (DALI), providing reliable power interconnect.



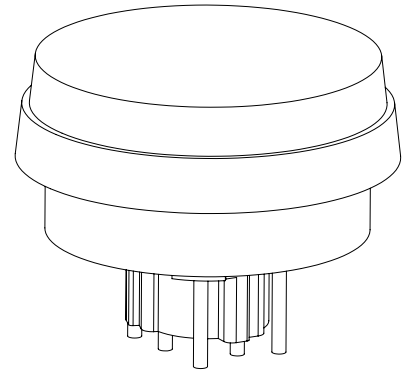
PHOTOCELL + RECEPTACLE (PCR)

7-Pin Receptacle and Electronic Twist Lock Photocell for dusk to dawn operation.



RECEPTACLE + SHORTING CAP (PER)

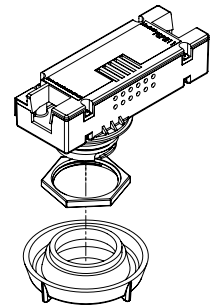
7-Pin Receptacle and Shorting Cap.



FSP-211 WITH MOTION SENSOR (FSP-XX)

- FSP-211 (FSP-X)—Passive infrared (PIR) sensor providing multi-level control based on motion/daylight contribution.
- All control parameters adjustable via wireless configuration remote storing and transmitting sensor profiles.
- FSP-20 mounting heights 9-20 feet
- FSP-40 mounting heights 21-40 feet.
- Includes 5 dimming event cycles, 0-10V dimming with motion sensing, re-programmable in the field.

FSP-211



QUICK MOUNT BRACKET (QMB)

Optional Cast Aluminum Bracket designed for quick mounting on Direct Square or Round Poles. Cleat mounts directly to pole for easily hung fixtures. Has a 2"x4" Drill Pattern.



RETROFIT MOUNT BRACKET (RQMB)

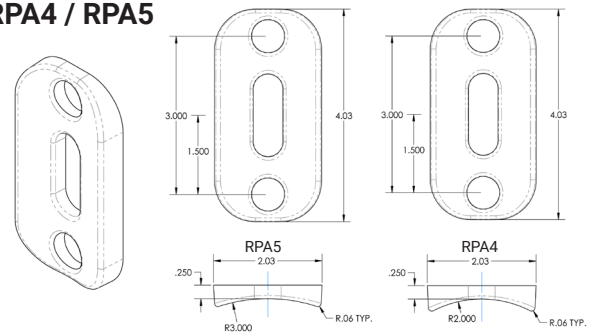
Optional Cast Aluminum Bracket designed for quick mounting on Direct Square or Round Poles. Cleat mounts directly to pole for easily hung fixtures. Drill Pattern is adjustable from 2"x4" to 2"x6".



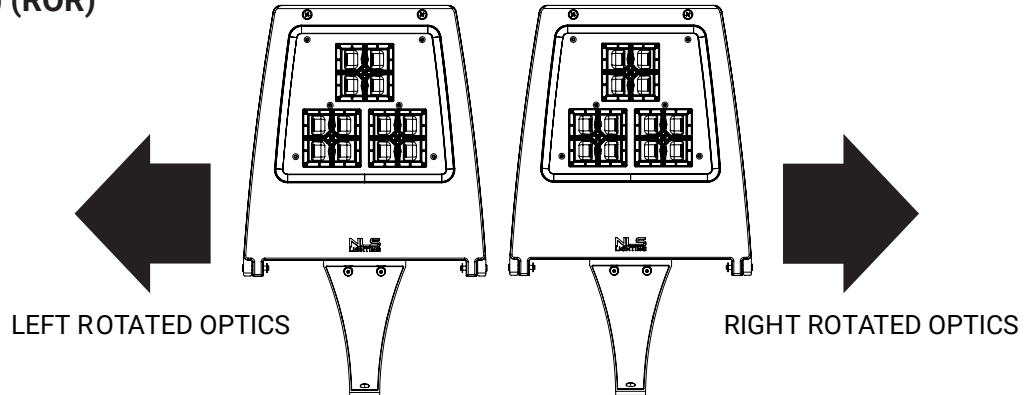
ROUND POLE ADAPTER OPTIONS (RPA4) (RPA5)

When using round poles, specify Round Pole Adapter (RPA). Specify RPA4 when installing on 3"-4" round poles, and RPA5 when installing on 5"-6" round poles.

RPA4 / RPA5



ROTATED OPTICS (ROL) (ROR)

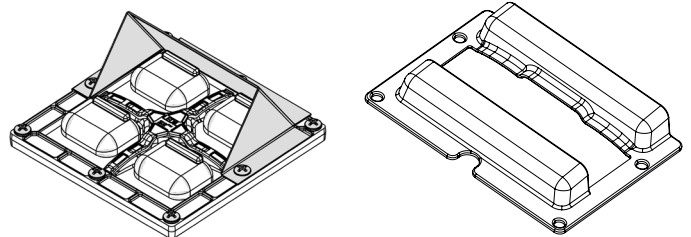


SHIELDING OPTIONS (AHS) (HSS)

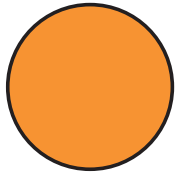
SHIELDS (HSS, AHS)—House Side Shield (HSS) is designed for full property line cut-off. Automotive House Side Shield (AHS) is a single-sided shield allowing partial cut-off on either side or front of luminaire.

AUTOMOTIVE HOUSE SIDE SHIELD

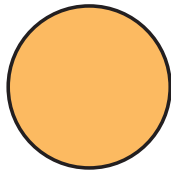
HOUSE SIDE SHIELD



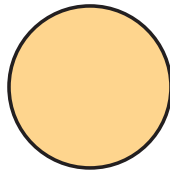
LED KELVIN RANGE



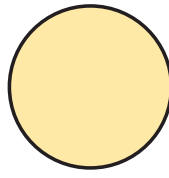
AMBER
585-600 nm



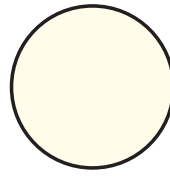
2700K 70 CRI



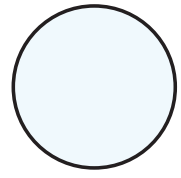
3000K 70 CRI



3500K 80 CRI



4000K 70 CRI

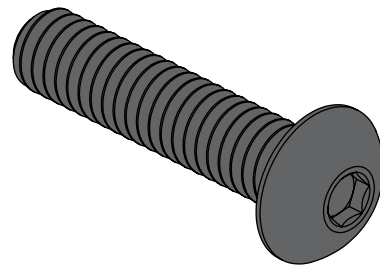


5000K 70 CRI

Color	Dominant or Peak Wavelength Range (nm)	
	Minimum	Maximum
Amber	585	600

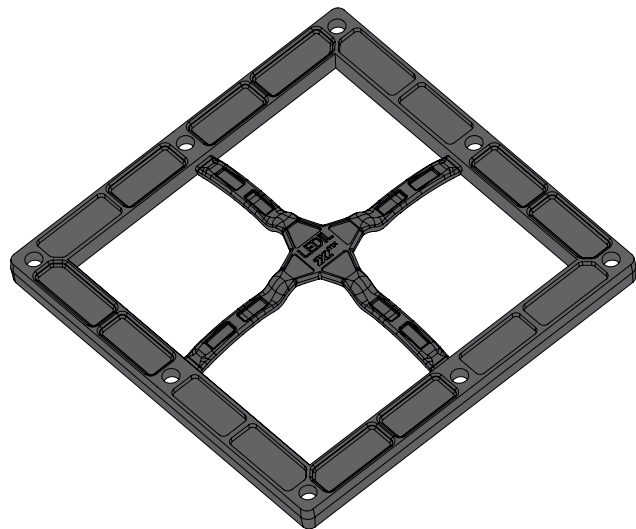
BLACK HARDWARE

Optional black, zinc coated steel hardware.



BLACK OPTIC FRAME

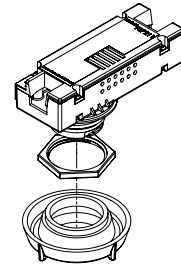
Optional Black Optic Frame. Standard is white.



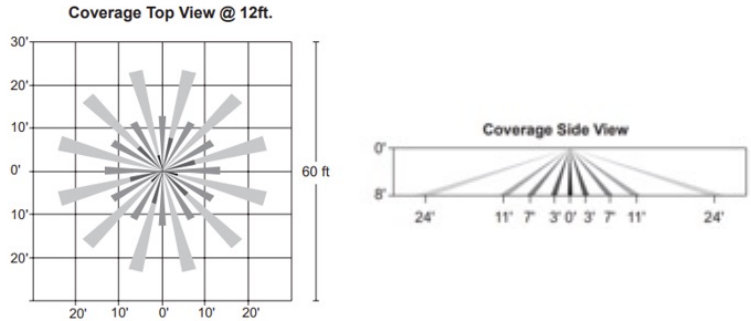
PRODUCT SPECIFICATIONS

CONTROLS

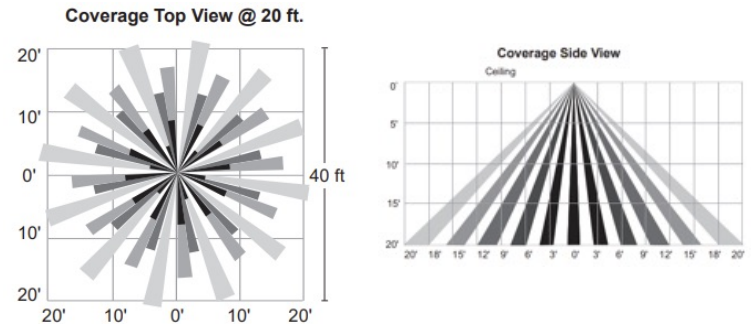
- **DIMMING CONTROL (FSP)**—Passive infrared (PIR) sensor providing multi-level control based on motion/daylight contribution.
- All control parameters adjustable via wireless configuration remote storing and transmitting sensor profiles.
- FSP-8 mounting heights 8 feet and below
- FSP-20 mounting heights 9-20 feet
- FSP-40 mounting heights 21-40 feet.
- Includes 5 dimming event cycles, 0-10V dimming with motion sensing, re-programmable in the field.



FSP-8



FSP-20



FSP-40

