



FORM AND FUNCTION

- Sleek, die-cast low profile housing
- Spec grade performance
- Engineered for optimum thermal management
- Reduces energy consumption and costs up to 65%

RELIABILITY

- IP66 Rated
- Silicone Optics
- IK10 Rated Optics

The innovative NV Flood Series is a high-powered, corrosion resistant, low copper, die-cast aluminum luminaire.

Thermal management is handled with a separate driver housing and LED light engine heat-sink. Heat-sink cooling fins are designed with a thermal gap for longer LED/Driver life

The NV-F2 comes in a double 32L configuration with 5 Kelvin color temperatures 2700K, 3000K, 3500K, 4000K and 5000K. 4 Static LED color options available for a splash of color.

Silicone optical distribution patterns include 15° Very Narrow Beam, 30° Narrow Beam, 55° Medium Beam, 85° Wide beam, 7X5 NEMA T2 Distribution, 7X6 T3 NEMA Distribution, Forward Throw NEMA 6X6 T4, and a Symmetrical NEMA 7X7 T5.

Mounting options include 1/2" NPT Knuckle Mount or Trunnion Mount. Knuckle Mount and Trunnion Mount are available with Stanchion Caps to fit over 2 3/8", 3" and 4" diameter Stanchions or Tenons.

Other mounting options include Universal Magic Mount (UMM) and 4" Round J Box Mount (JBRT)(JBRK).

Glare control options include the House Side Shield, Egg Crate Louver Shield, Barn Doors, Angled Visor, small and large Shoot.

Other options include Tamper Proof Hardware, 5 Conductor Dimming Leads and 4" Round J-Box Mount.

Applications include:

- Sign Lighting
- Building Facades
- Landscape
- Wall Washing
- Up Lighting
- Security Lighting
- Residential Commercial
- Parking
- Flag Pole
- Merchandising
- Billboard
- Indirect Lighting
- Display Pad
- Transportation

IP66 Rated for any direction or angle of Flood Lighting.

BUY AMERICAN





To ensure the latest BAA/TAA Standards are being met, please select BAA in the options section, or contact the factory before placing an order and any NLS products requesting BAA, TAA, BABA, or BA.



Project Name:

Type:

NV-F2 ORDERING GUIDE

Cat#	Optics	No. of LEDs	Watts	Kelvin Temp	Volts	
NVF Double Module (NV-F2)	15° (15) ^① Very Narrow	32 (32L)	50W (50W) ^①	2700K, 80 CRI (27K8) ^②	Red 624-634nm (RED) ^① 	120-277 (UNV)
	30° (30) Narrow Beam		60W (60W)	3000K, 70 CRI (30K7)	Amber 585-600nm (AMBER) ^{① ③} 	
	55° (55) Medium Beam		70W (70W)	3000K, 80 CRI (30K8) ^②	Green 520-540nm (GREEN) ^① 	
	85° (85) Wide Beam		80W (80W)	3500K, 80 CRI (35K8)	Royal Blue 440-460nm (BLUE) ^① 	
	IES T2 / NEMA 7Hx5V (T2)			4000K, 70 CRI (40K7)		
	IES T3 / NEMA 7Hx6V (T3)			4000K, 80 CRI (40K8) ^②		
	Forward Throw (T4)			5000K, 70 CRI (50K7)		
	Symmetrical (T5)			5000K, 80 CRI (50K8) ^②		

Mounting	Mounting Accessories	Glare Control Options	Color	Options
Knuckle Mount 1/2" NPT (KM)	Stanchion Caps	Stanchion Post	Bronze Textured (BRZ)	Button Photocell (PC) ^⑥
Trunnion Mount (TM) ^⑨	Stanchion Cap for Knuckle Mount (KMS2)	12" Length (STP12)	White Textured (WHT)	FSP-211 with Motion Sensor (FSP-8) ^⑤
	2 3/8" ID Stanchion Cap	24" Length (STP24)	Smooth White Gloss (SWT)	8' Heights and Below (FSP-20) ^⑤
	Stanchion Cap for Knuckle Mount (KMS3) ^④	36" Length (STP36)	Silver Textured (SVR)	*9'-20' Heights (DC-20)
	With 3" ID Stanchion Cap	Custom Length (STPX)	Black Textured (BLK)	For 9'-20' Heights Tamper Proof Hardware (TPH)
	Stanchion Cap for Knuckle Mount (KMS4)	Universal Magic Mount (UMM)	Smooth Black Gloss (SBK)	5 Conductor Dimming Leads (DL)
	With 4" ID Stanchion Cap	UMM Must be ordered with KM or TM	Graphite Textured (GPH)	Marine Grade Finish (MGF)
	Stanchion Cap for Trunnion Mount (TMS2)	4" Round J-Box Mount for Trunnion (JBR1)	Grey (GRY)	Buy American (BAA) ^⑧
	With 2 3/8" ID Stanchion Cap	4" Round J-Box Mount for Knuckle (JBRK)	Custom (CS)	Trade American (TAA) ^⑧
	Stanchion Cap for Trunnion Mount (TMS3) ^④	No Mounting Accessories (NA)		Build America Buy American (BABA) ^⑧
	With 3" ID Stanchion Cap			Custom Controls Integration (CCI) ^⑦
	Stanchion Cap for Trunnion Mount (TMS4)			No Options (NA)
	With 4" ID Stanchion Cap			

- Notes:**
- ① Static Colors available up to 50 Watts
 - ② Consult Factory for Lead Time. Consult Factory for 90 CRI Requests.
 - ③ Standard finish is stainless steel. Can be painted to match fixture
 - ④ STP Must be ordered with KMS3 or TMS3
 - ⑤ Universal Voltage 120-277
 - ⑥ 15° Very Narrow Optic not available with Egg Crate Louver
 - ⑦ Please contact Factory for Custom Control Integration requests (nLight, NX, WaveLinX, Crestron, DMX/RDM, Synapse, Casambi, Dali II, Avi-On, or other control systems)
 - ⑧ Turtle Safe
 - ⑨ Consult factory for all BAA/TAA/BABA requests



701 Kingshill Place, Carson, CA 90746
Call Us Today (310) 341-2037

nslighting.com

CONSTRUCTION

Precision Die cast-aluminum housing for durability and consistency
Stainless Steel corrosion resistant external hardware
One-piece silicone gasket ensures IP-65 seal for electronics compartment

OPTICS

Silicone optics high photothermal stability and light output provides higher powered LEDs with minimized lumen depreciation LED life. UV and thermal stability with scratch resistance increases exterior application durability.

Distribution patterns are designed to provide maximum light spread for short set backs when lighting signs and washing walls.

FINISH

3-5 mils electrostatic powder coat.
NLS' standard high-quality finishes prevent corrosion protects against and extreme environmental conditions

MARINE GRADE FINISH (MGF)—A multi-step process creating protective finishing coat against harsh environments.

- Chemically washed in a 5 stage cleaning system.
- Pre-baked
- Powder coated 3-5 mils of Zinc Rich Super Durable Polyester Primer.
- Oven Baked.
- Finished Powder Coating of Super Durable Polyester Powder Coat 3-5 mil thickness.

GLARE CONTROL OPTIONS

HOUSE SIDE SHIELDS (HSS)—House Side Shield (HSS) is designed for full property line cutoff.

BARN DOORS (BAD)—Field adjustable beam angle control.

EGG CRATE LOUVER (ECL)—Egg Crate Louver is for Extreme Glare Control. 15° Very Narrow Optic not available with Egg Crate Louver.

ANGLED VISOR (AGV)—Angled Visor is for minimal glare control.

SNOOT (SNS)(SNL)— Short and Long versions for full-cut off precision spot lighting.

MOUNTING OPTIONS

TRUNNION MOUNT (TM)—Optional Stainless Steel Cord Seal

STANCHION CAP—fits over 2 3/8", 3" or 4" Tenon or Stanchion

4" ROUND J BOX MOUNT (JBRT)(JBRK)—Knuckle or Trunnion

UNIVERSAL MAGIC MOUNT (UMM)—Allows Knuckle and Trunnion Mount for a single fixture and thru-conduit 1/2" or 3/4".

STANCHION POST— 3" O.D. Post for use with the KMS3 and TMS3 mounting options.

ADDITIONAL OPTIONS

TAMPER PROOF HARDWARE—Provided to protect the optical assembly and the driver compartment for vandal resistance.

5 CONDUCTOR DIMMING LEADS—Optional Dimming Leads exiting the fixture for external dimming control.

ELECTRICAL

- 120-277 Volts (UNV)
- 0-10V dimming driver
- Driver power factor at maximum load is $\geq .95$, THD maximum load is 15%
- LED Drivers Ambient Temp. Min is -40°C and Ambient Temp. Max ranges from 50°C to 55°C and, in some cases, even higher. Consult the factory for revalidation by providing the fixture catalog string before quoting and specifying it
- All internal wiring UL certified for 600 VAC and 105°C
- All drivers, controls, and sensors housed in enclosed IP-65 compartment

LED

Lumileds Luxeon MX LED

CRI 70, 80, or 90

Color temperatures: 2700K 3000K, 3500K, 4000K, 5000K

Lumileds Luxeon CZ LED

Static Color Options: Red (Red 624-634nm), Green (520-540nm), Blue(440-460nm) and Amber (585-600nm)

WARRANTY

Five-year standard warranty

LISTINGS

Certified to UL 1598

UL 8750

CSA C22.2 No. 250.0

DesignLights Consortium® (DLC)

IP66 Rated

IP67 Rated Optics

IK10 Rated

BUY AMERICAN OPTION

While all of the NLS Lighting products listed in this document qualify for the Buy America(n) Act of 1933, we reserve the right to change our listings without notice.

The information provided above is for general informational purposes only. We encourage you to consult legal professionals for advice particular to your projects concerning BAA, TAA, BABA or Buy America.

Additional NLS Products that meet BAA, TAA standards can be found at the following link:

[https://nslighting.com/wp-content/uploads/cs/NLS_BuyAmerica\(n\).pdf](https://nslighting.com/wp-content/uploads/cs/NLS_BuyAmerica(n).pdf)



The information and specifications on this document are subject to change without any notification. All values are design, nominal, typical or prorated values when measured under internal and external laboratory conditions.

NLS
LIGHTING

701 Kingshill Place, Carson, CA 90746
Call Us Today (310) 341-2037

nslighting.com

NV-F2 Product Specification

LED WATTAGE CHART	32L
500mA	50W
600mA	60W
700mA	70W
800mA	80W

NV-F2																	
PART NUMBER	15°	LM/W	30°	LM/W	55°	LM/W	85°	LM/W	7X5	LM/W	7X6	LM/W	T4	LM/W	T5	LM/W	W
NV-F2-32L-50W-27K8	5800	116	5400	108	5800	116	6007	120	5650	113	5700	114	5700	114	5650	113	50
NV-F2-32L-50W-30K7	6000	120	5600	112	6400	128	6629	133	6250	125	6300	126	6350	127	6250	125	50
NV-F2-32L-50W-35K8	6400	128	5800	116	6600	132	6836	137	6450	129	6500	130	6550	131	6450	129	50
NV-F2-32L-50W-40K7	6700	134	6100	122	6800	136	7043	141	6650	133	6700	134	6700	134	6650	133	50
NV-F2-32L-50W-50K7	6700	134	6100	122	6800	136	7043	141	6650	133	6700	134	6700	134	6650	133	50
NV-F2-32L-60W-27K8	6960	116	6480	108	6780	113	7022	117	6660	111	6720	112	6720	112	6660	111	60
NV-F2-32L-60W-30K7	7200	120	6720	112	7500	125	7768	129	7380	123	7440	124	7440	124	7320	122	60
NV-F2-32L-60W-35K8	7680	128	6960	116	7800	130	8079	135	7620	127	7620	127	7680	128	7560	126	60
NV-F2-32L-60W-40K7	8040	134	7260	121	7980	133	8265	138	7800	130	7860	131	7920	132	7800	130	60
NV-F2-32L-60W-50K7	8040	134	7260	127	7980	133	8265	138	7800	130	7860	131	7920	132	7800	130	60
NV-F2-32L-70W-27K8	8120	116	7560	108	7770	111	8048	115	7630	109	7630	109	7700	110	7560	108	70
NV-F2-32L-70W-30K7	8400	120	7840	112	8540	122	8845	126	8400	120	8470	121	8470	121	8400	120	70
NV-F2-32L-70W-35K8	8960	128	8120	116	8820	126	9135	131	8680	124	8750	125	8750	125	8610	123	70
NV-F2-32L-70W-40K7	9380	134	8470	121	9100	130	9425	135	8890	127	8960	128	9030	129	8890	127	70
NV-F2-32L-70W-50K7	9380	134	8890	127	9100	130	9425	135	8890	127	8960	128	9030	129	8890	127	70
NV-F2-32L-80W-27K8	9280	116	8640	108	8640	108	8949	112	8480	106	8500	107	8560	107	8480	106	80
NV-F2-32L-80W-30K7	9600	120	8960	112	9280	116	9611	120	9120	114	9200	115	9440	118	9360	117	80
NV-F2-32L-80W-35K8	10240	128	9280	116	9840	123	10191	127	9680	121	9760	122	9760	122	9680	121	80
NV-F2-32L-80W-40K7	10720	134	9680	121	10160	127	10523	132	9920	124	10000	125	10080	126	9920	124	80
NV-F2-32L-80W-50K7	10720	134	9680	121	10160	127	10523	132	9920	124	10000	125	10080	126	9920	124	80

NV-F2 With Glare Control 15° Optic						
PART NUMBER	15° Snoot Long	Lm/W	15° Snoot Short	Lm/W	WATTS	
NV-F2-32L-50W-27K8	5100	102	5700	114	50	
NV-F2-32L-50W-30K7	5300	106	5900	118	50	
NV-F2-32L-50W-35K8	5500	110	6100	122	50	
NV-F2-32L-50W-40K7	5750	115	6350	127	50	
NV-F2-32L-50W-50K7	6000	120	6600	132	50	
NV-F2-32L-60W-27K8	6120	102	6840	114	60	
NV-F2-32L-60W-30K7	6360	106	7080	118	60	
NV-F2-32L-60W-35K8	6600	110	7320	122	60	
NV-F2-32L-60W-40K7	6900	115	7620	127	60	
NV-F2-32L-60W-50K7	7200	120	7920	132	60	
NV-F2-32L-70W-27K8	7140	102	7980	114	70	
NV-F2-32L-70W-30K7	7420	106	8260	118	70	
NV-F2-32L-70W-35K8	7700	110	8540	122	70	
NV-F2-32L-70W-40K7	8050	115	8890	127	70	
NV-F2-32L-70W-50K7	8400	120	9240	132	70	
NV-F2-32L-80W-27K8	8160	102	9120	114	80	
NV-F2-32L-80W-30K7	8480	106	9440	118	80	
NV-F2-32L-80W-35K8	8800	110	9760	122	80	
NV-F2-32L-80W-40K7	9200	115	10160	127	80	
NV-F2-32L-80W-50K7	9600	120	10560	132	80	



701 Kingshill Place, Carson, CA 90746
Call Us Today (310) 341-2037

nslighting.com

NV-F2 With Glare Control 30° Optic

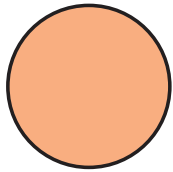
PART NUMBER	30° Egg Crate Louver	LM/W	30° Snoot Long	Lm/W	30° Snoot Short	Lm/W	WATTS
NV-F2-32L-50W-27K8	4200	84	4750	95	5450	109	20
NV-F2-32L-50W-30K7	4350	87	4900	98	5650	113	20
NV-F2-32L-50W-35K8	4500	90	5100	102	5850	117	20
NV-F2-32L-50W-40K7	4700	94	5300	106	6100	122	20
NV-F2-32L-50W-50K7	4950	99	5600	112	6400	128	20
NV-F2-32L-60W-27K8	5040	84	5700	95	6540	109	25
NV-F2-32L-60W-30K7	5220	87	5880	98	6780	113	25
NV-F2-32L-60W-35K8	5400	90	6120	102	7020	117	25
NV-F2-32L-60W-40K7	5640	94	6360	106	7320	122	25
NV-F2-32L-60W-50K7	5940	99	6720	112	7680	128	25
NV-F2-32L-70W-27K8	5880	84	6650	95	7630	109	35
NV-F2-32L-70W-30K7	6090	87	6860	98	7910	113	35
NV-F2-32L-70W-35K8	6300	90	7140	102	8190	117	35
NV-F2-32L-70W-40K7	6580	94	7420	106	8540	122	35
NV-F2-32L-70W-50K7	6930	99	7840	112	8960	128	35
NV-F2-32L-80W-27K8	6720	84	7600	95	8720	109	45
NV-F2-32L-80W-30K7	6960	87	7840	98	9040	113	45
NV-F2-32L-80W-35K8	7200	90	8160	102	9360	117	45
NV-F2-32L-80W-40K7	7520	94	8480	106	9760	122	45
NV-F2-32L-80W-50K7	7920	99	8960	112	10240	128	45

EPA	NV-F2
	.59

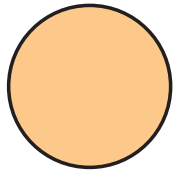
WEIGHT	NV-F2
	7.2 LBS

Lumen Maintenance Data							
Ambient Temperature	Drive Current	L90 Hours*	L70 Hours**	30,000 Hours*	50,000 Hours*	60,000 Hours*	100,000 Hours**
25°C	Up to 700mA	58,000	173,000	95.7%	91.6%	89.6%	82.1%
	800mA	48,000	143,000	94.3%	89.5%	87.2%	78.5%
*Reported extrapolations per IESNA TM-21				**Projected extrapolations per IESNA TM-21			
Lumen Maintenance Data (For Static Colors, Please Contact Factory)							

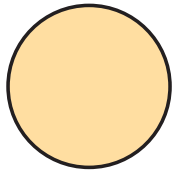
LED KELVIN RANGE



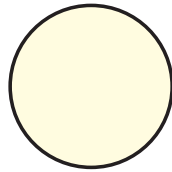
2700K 80 CRI



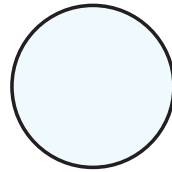
3000K 70 CRI



3500K 80 CRI

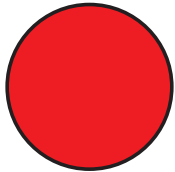


4000K 70 CRI

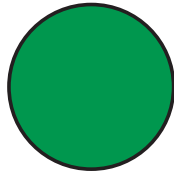


5000K 70 CRI

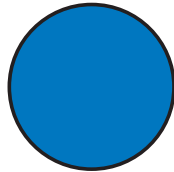
STATIC COLOR LED



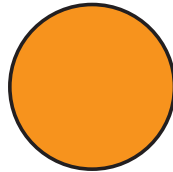
RED
624-634 nm



GREEN
520-540 nm



ROYAL BLUE
440-460nm

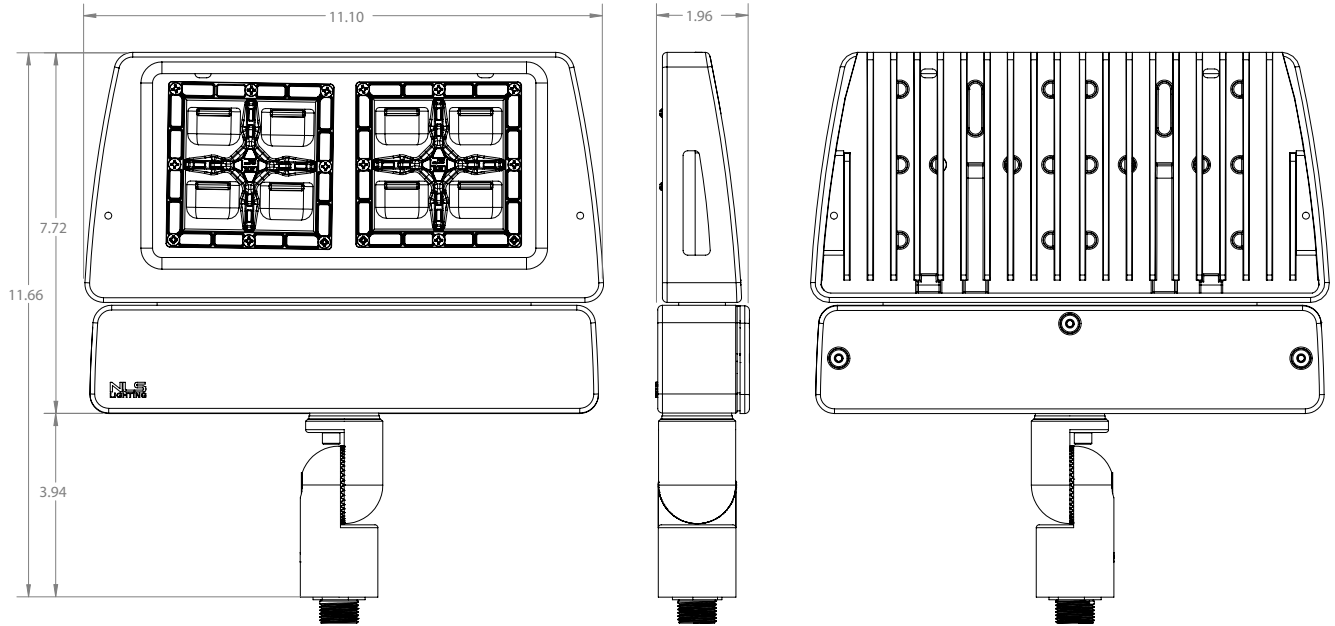


AMBER
585-600 nm

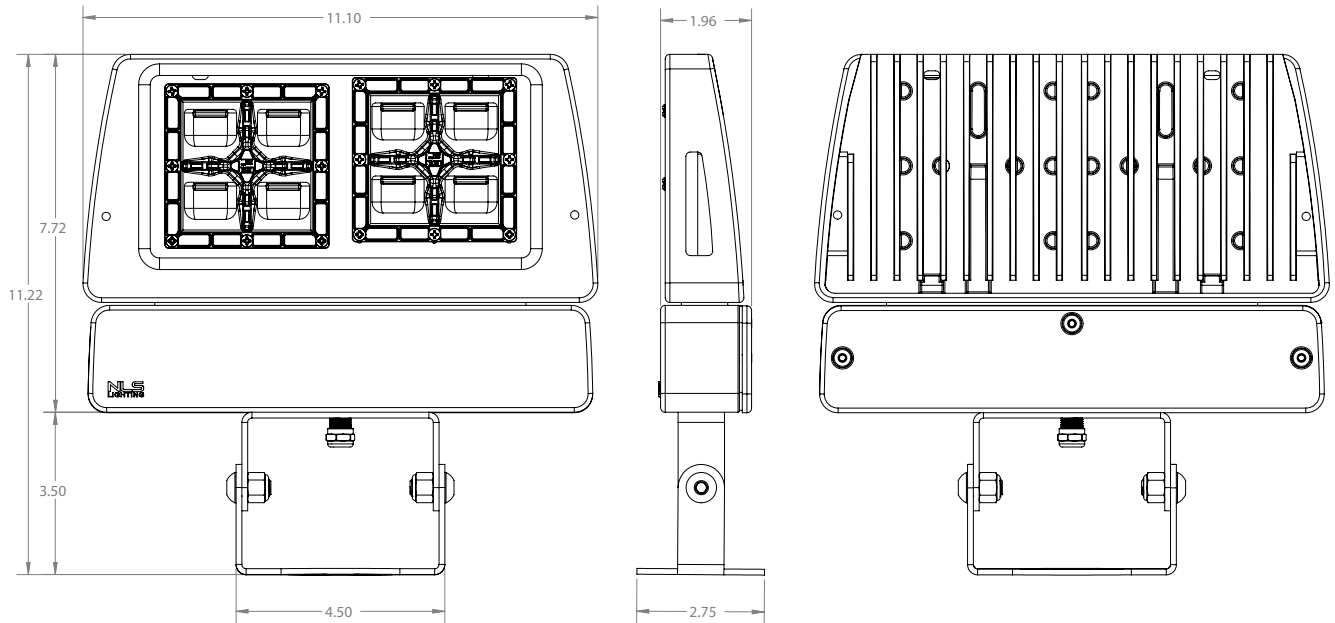
Color	Dominant or Peak Wavelength Range (nm)	
	Minimum	Maximum
Amber	585	600

DIMENSION DRAWINGS

KNUCKLE MOUNT

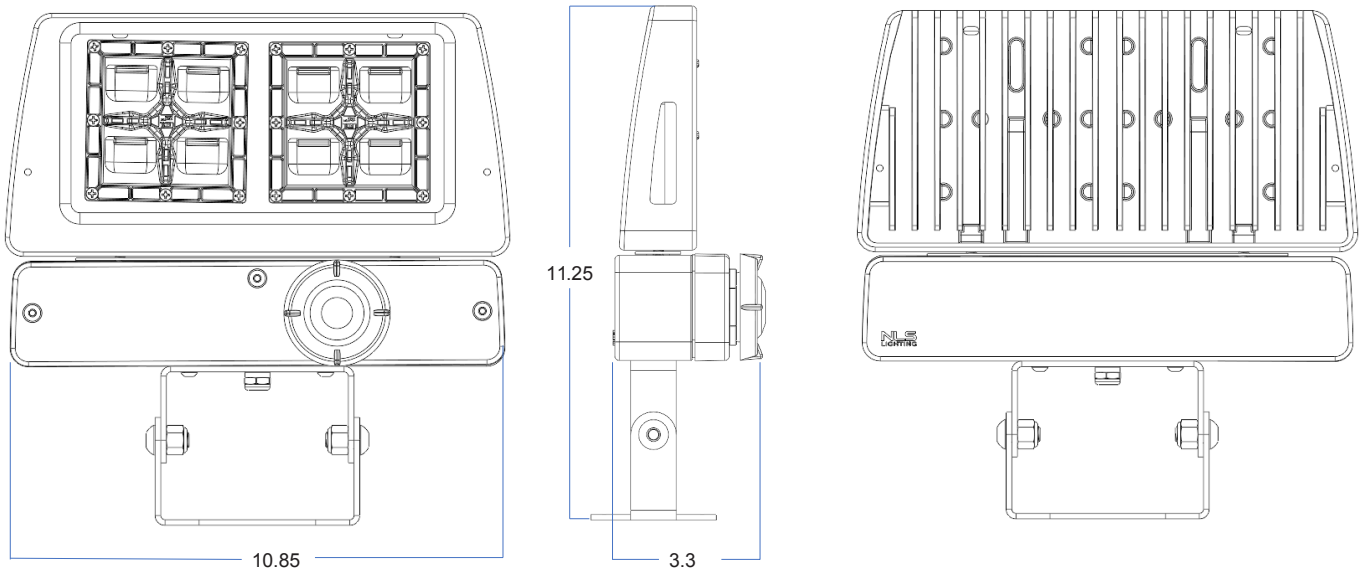


TRUNNION MOUNT

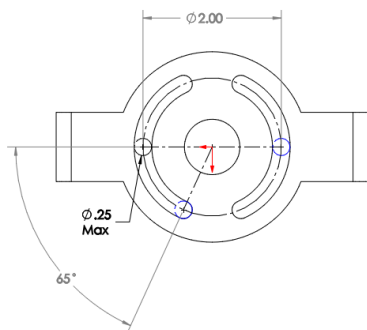


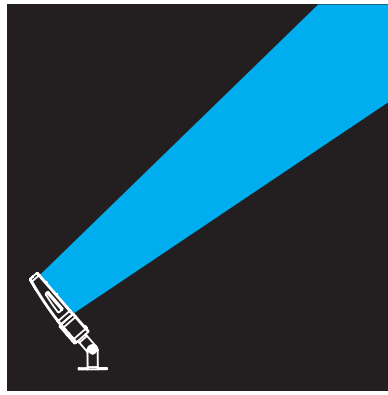
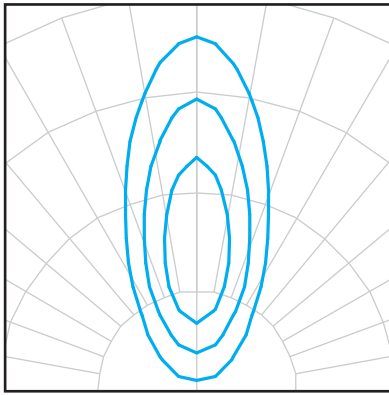
DIMENSION DRAWINGS

TRUNNION MOUNT W/FSP MOTION SENSOR



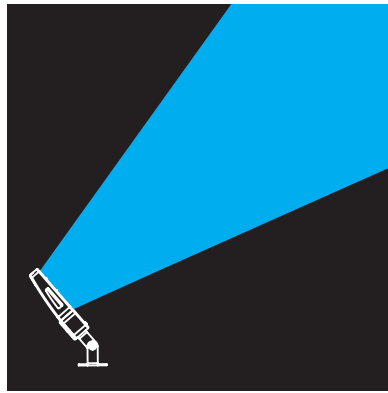
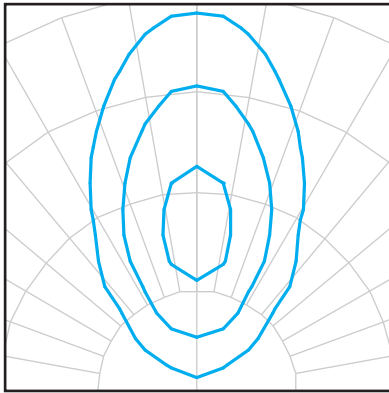
TRUNNION MOUNT BRACKET





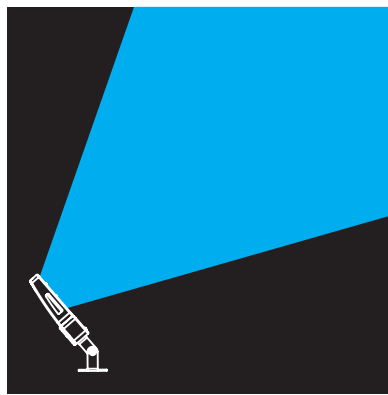
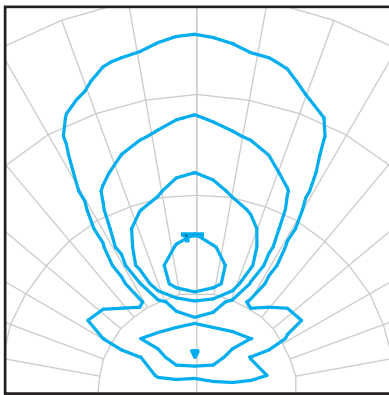
15° Very Narrow Beam Optic

The 15° Optic is used for very specific spot lighting. Spot Lighting a statue, a monument, or a piece of art. The NV Floods can be used indoors and outdoors. Pair the 15° Optic with the following Glare Control Options for more dramatic effect. Snoot Short (SNS), Snoot Long (SNL), or Barn Doors (BAD). These Glare Control Options help reduce glare and focus the viewing angles. 15° Very Narrow Optic not available with Egg Crate Louver.



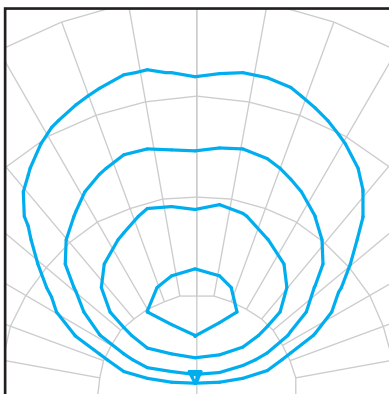
30° Narrow Beam Optic

The 30° Optic is used for larger objects and for spot and accent lighting. The 30° is perfect for Flag Lighting, Facade Lighting and great for showcasing Car Dealerships, display pads. Pair the 30° Optic with the following Glare Control Options for more dramatic effect. Snoot Short (SNS), Snoot Long (SNL), or Egg Crate Louvers (ECL). These Glare Control Options help reduce glare and focus the viewing angle.



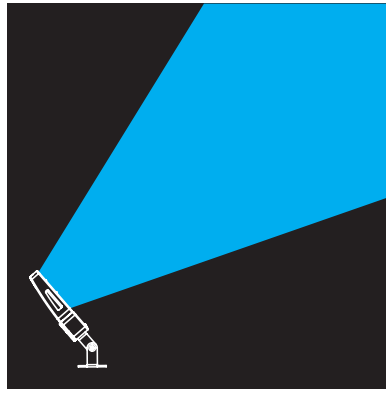
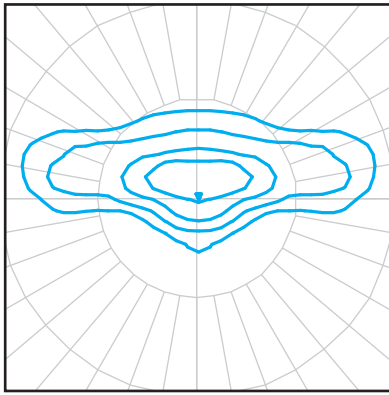
55° Medium Beam Optic

The 55° Optic is used for larger objects, flood lighting. The 55° is perfect for Facade Lighting, Landscape and general flood lighting. Pair the 55° Optic with the following Glare Control Options for more dramatic effect. Snoot Short (SNS), Angled Visor (AGV), These Glare Control Options help reduce glare and focus the beam angles.



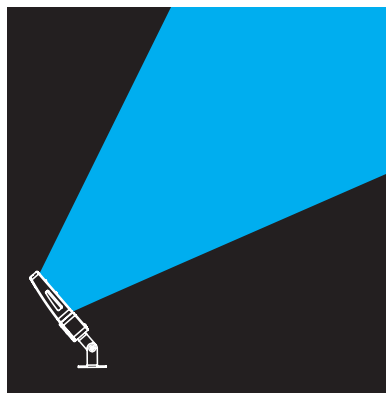
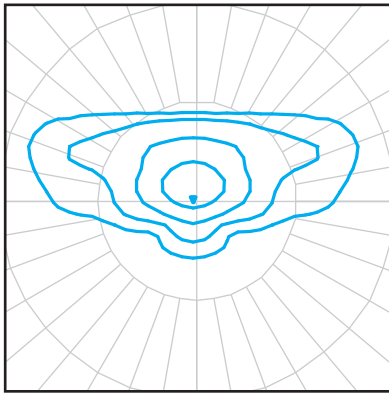
85° Wide Flood Optic

The 85° Optic is used for large area and accent lighting. The 85° is perfect for Security Lighting, general flood lighting and area lighting. Pair the 85° Optic with the following Glare Control Options for more dramatic effect. Snoot Small (SNS), Angled Visor (AGV), These Glare Control Options help reduce glare and shield unnecessary light.



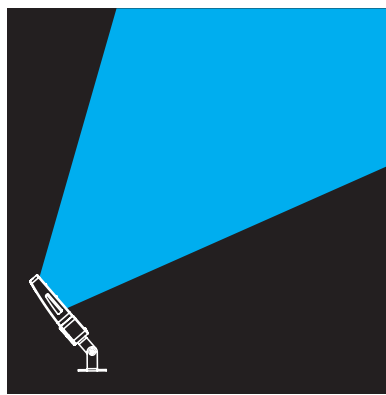
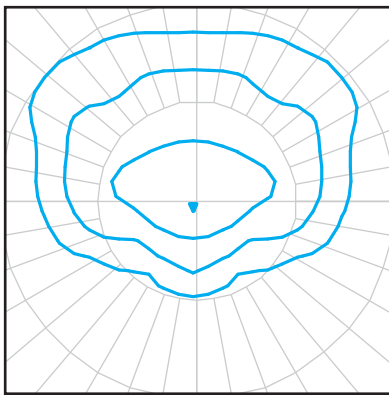
NEMA 7X5 T2 Flood Optic

The Type II (T2) distribution is used for narrow pathways and trails, narrow entrances of shopping centers, parking lots and office complex's.



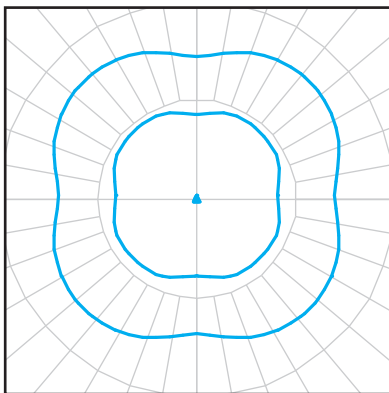
NEMA 7X6 T3 Flood Optic

The Type III (T3) distribution is meant for roadway lighting, general parking areas and other areas where a larger area of lighting is required. Type III lighting needs to be placed to the side of the area, allowing the light to project outward and fill the area. This produces a filling light flow.



NEMA 6X6 Forward Throw T4 Flood Optic

The Type IV (T4) distribution produces a semicircular light meant for mounting on the sides of buildings and walls. It is best for illuminating the perimeter of parking areas and businesses. The intensity of the Type IV lighting has the same intensity at angles from 90° to 270°.

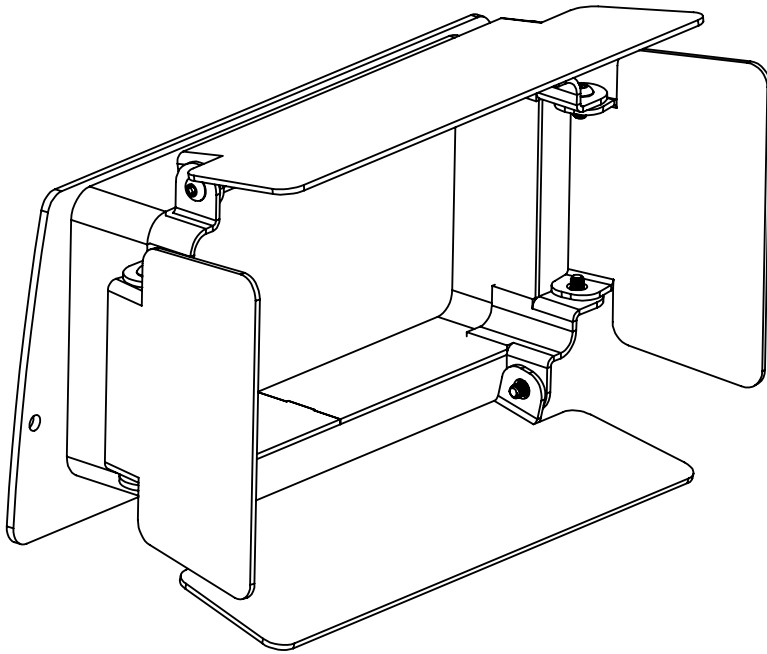


NEMA 7X7 Symmetrical T5 Flood Optic

The Type V (T5) produces a symmetrical distribution that has the same intensity at all angles. This distribution has a uniform symmetry of candlepower that is essentially the same at all lateral angles. It is meant for large, commercial parking lot lighting as well as areas where sufficient, evenly distributed light is necessary

GLARE CONTROL OPTIONS

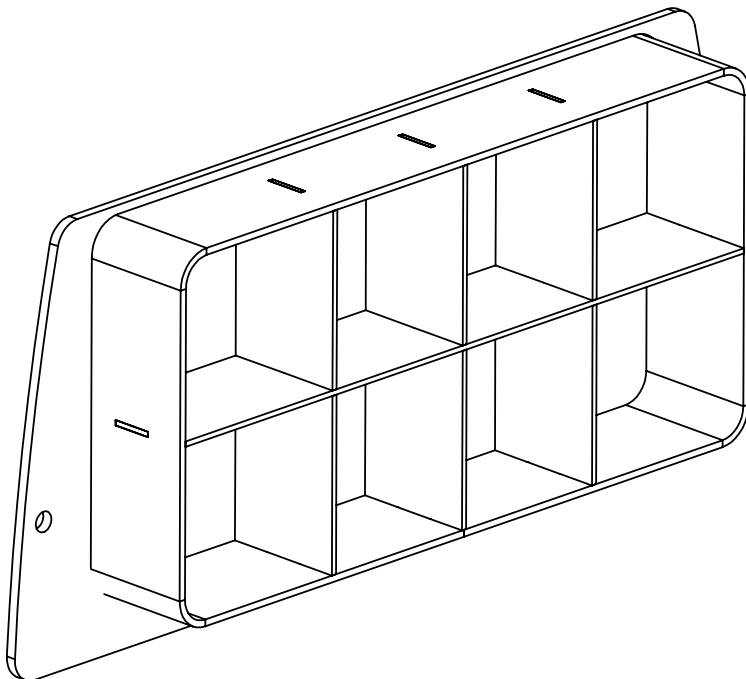
BARN DOORS (BAD)



Barn Doors (BAD)

The Barn Doors is field adjustable beam angle control. Laser cut precision formed aluminum construction. Powder Coated flat black as standard. The **(BAD)** is field installable.

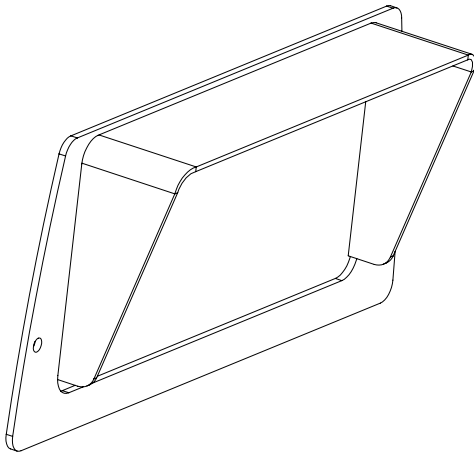
EGG CRATE LOUVER (ECL)



Egg Crate Louver (ECL)

The Egg Crate Louver is designed for Extreme Glare Control. Laser cut precision formed aluminum construction. Powder Coated flat black as standard. The **(ECL)** is field installable. 15° Very Narrow Optic not available with Egg Crate Louver.

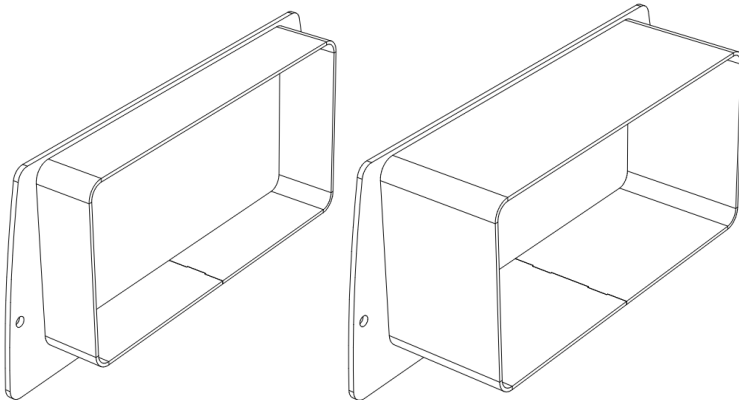
ANGLED VISOR (AGV)



Angled Visor (AGV)

The Angled Visor is designed for minimal glare control. Laser cut precision formed aluminum construction. Powder Coated flat black as standard. The **(AGV)** is field installable.

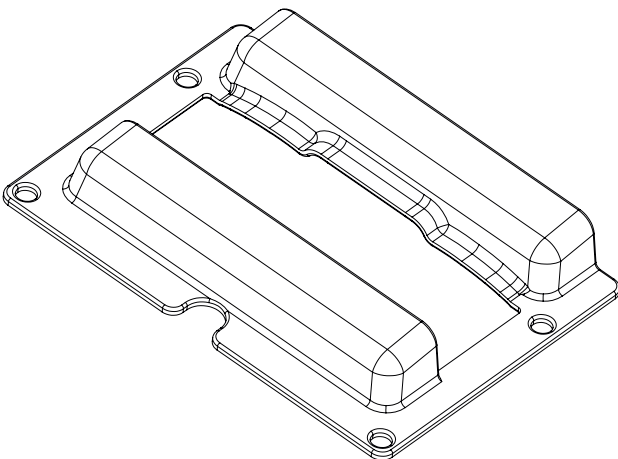
SNOOT (SNS) (SNL)



Snoot (SNS) (SNL)

Snoot in short or long options for full-cut off precision spot lighting. Laser cut precision formed aluminum construction. Powder Coated flat black as standard. The **(SNS)** & **(SNL)** is field installable.

HOUSE SIDE SHIELD (HSS)

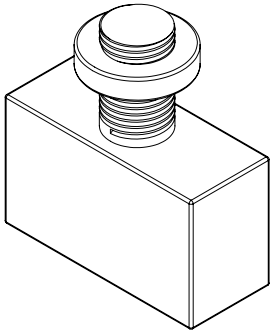


House Side Shield (HSS)

House Side Shield **(HSS)** is designed for stringent property line cutoff. Injection Molded Glass Filled Nylon, standard finish is black.

FIXTURE OPTIONS

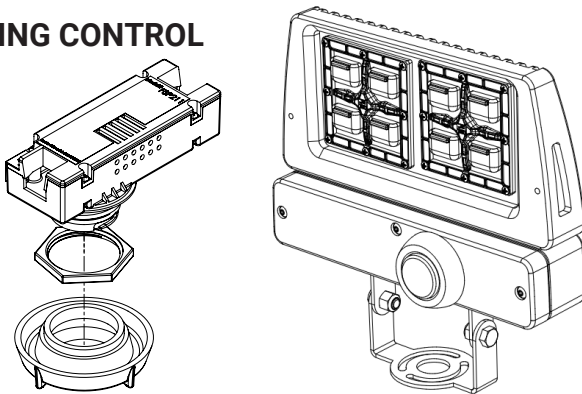
BUTTON PHOTOCELL



Button Type Photo Cell (PC)

Photo Cell for dusk to dawn operation.

DIMMING CONTROL

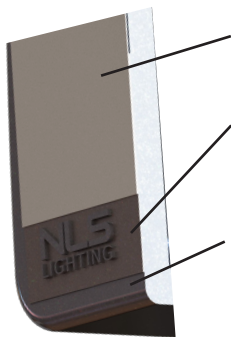


Dimming Control (DC)

Passive infrared (**PIR**) sensor providing multi-level control based on motion/daylight contribution.

- All control parameters adjustable via mobile app with remote storing and transmitting sensor profiles.
- DC8 mounting heights 8 feet and below
 - DC20 mounting heights 9-20 feet
- Includes 5 dimming event cycles, 0-10V dimming with motion sensing, re-programmable in the field. FSIR-100 commissioning remote is required to change sensor settings. Please contact factory for ordering.

MARINE GRADE FINISH

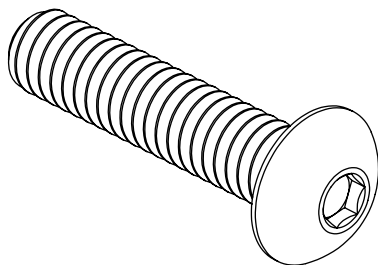


- Powder Coat Finish**
3-5mm Powder Coat
- Primer Layer**
3-5mm Zinc Rich Super Durable Polyester Primer
- Prepared Casting**
Chemically washed in multi Step 5 stage cleaning process

Marine Grade Finish (MGF)

The MGF is a multi step process. Chemically washed in a 5 stage cleaning system. Pre-baked. Powder coated 3-5 mils of Zinc Rich Super Durable Polyester Primer. Oven Baked. Finished Powder Coating of Super Durable Polyester Powder Coat 3-5 mil thickness.

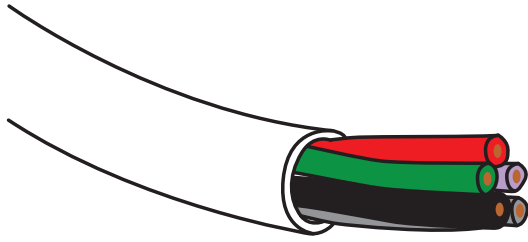
TAMPER PROOF HARDWARE



Tamper Proof Hardware (TPH)

316 Stainless Steel Button Head Hex Drive Screws. Provided to protect the optical assembly and the driver compartment for vandal resistance.

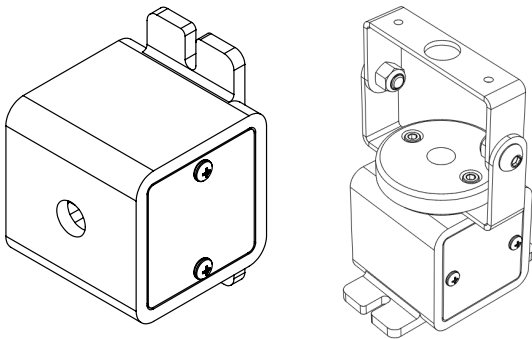
5 CONDUCTOR DIMMING LEADS



5 Conductor Dimming Leads (DL)

Optional Dimming Leads exiting the fixture for external dimming control.

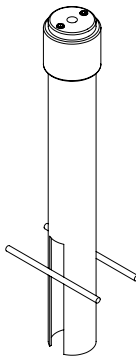
UNIVERSAL MAGIC MOUNT (UMM)



Universal Magic Mount (UMM)

The **(UMM)** allows Trunion Mount for a single fixture and thru-conduit 1/2" or 3/4". The (UMM) was designed for universal mounting to walls, ceilings, trees, poles, parapets, eve's,

STANCHION POST

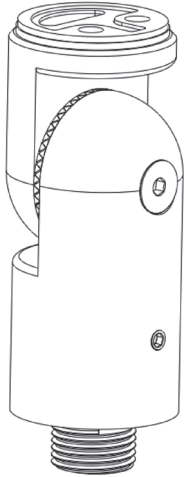


Stanchion Post (STP)

3" O.D. Post for use with the KMS3 and TMS3 mounting options. Available in 12", 24" and 36" lengths. Consult factory for additional offerings.

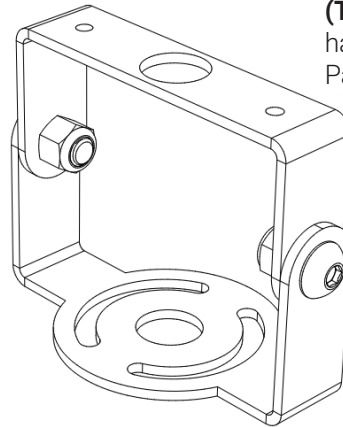
MOUNTING OPTIONS

KNUCKLE MOUNT 1/2" NPT (KM)



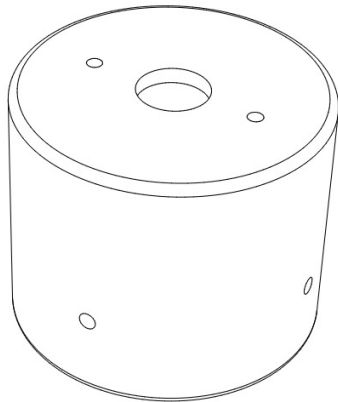
(KM) Knuckle Mount has a 1/2" NPT nipple.

TRUNNION MOUNT (TM)



(TM) Trunnion Mount has a universal Mounting Pattern.

STANCHION CAP FOR KNUCKLE MOUNT

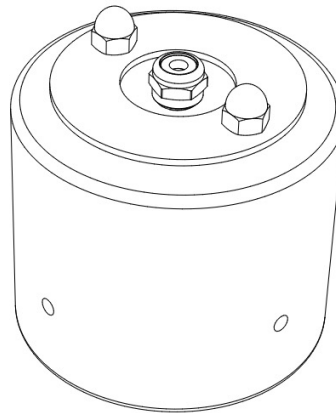


(KMS2) Stanchion Cap fits over a 2 3/8" O.D. Tenon.

(KMS3) Stanchion Cap fits over a 3" O.D. Tenon.

(KMS4) Stanchion Cap fits over a 4" O.D. Tenon.

STANCHION CAP FOR TRUNNION MOUNT

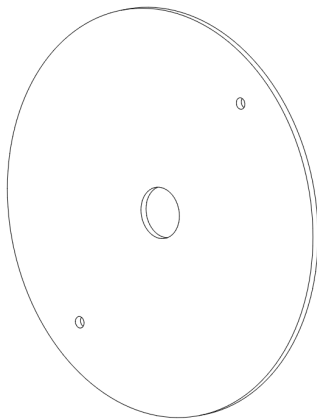


(TMS2) Stanchion Cap fits over a 2 3/8" O.D. Tenon.

(TMS3) Stanchion Cap fits over a 3" O.D. Tenon.

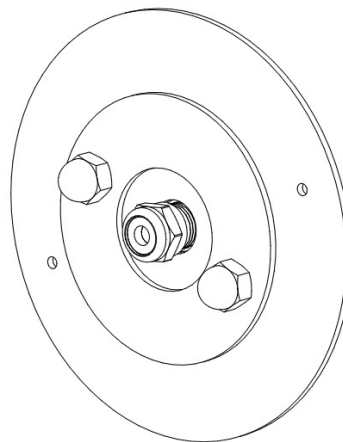
(TMS4) Stanchion Cap fits over a 4" O.D. Tenon.

4" ROUND JBOX KNUCKLE MOUNT (JBRK)



(JBRK) 4" Round J-Box cover plate mount.

4" ROUND JBOX TRUNNION MOUNT (JBRT)



(JBRT) 4" Round J-Box cover plate mount.