



LED WATTAGE CHART

Drive Current	80L	96L	128L	144L
350 milliamps	84W (7126-9213 Lumens)	100W (8551-11055 Lumens)	134W (11401-14740 Lumens)	151W (12826-47380 Lumens)
530 milliamps	127W (10790-13951 Lumens)	152W (12948-16741 Lumens)	203W (17264-22321 Lumens)	228W (19422-25111 Lumens)
700 milliamps	167W (14251-18426 Lumens)	201W (17101-22111 Lumens)	268W (22802-29481 Lumens)	301W (25652-33166 Lumens)
1000 milliamps	-	-	-	430W (36646-47380 Lumens)
1050 milliamps	239W (20359-26322 Lumens)	287W (24431-31587 Lumens)	382W (32574-42116 Lumens)	-

Form

- Elegant Die-Cast Aluminum Housing
- Corrosion Resistant Stainless Steel External Hardware
- Sleek, Low Profile Housing
- Spec Grade Performance
- Engineered For Optimum Thermal Management
- 9 Architectural Finishes Standard, RAL Colors Available

Function

- Micro Optics IES Distributions T2, T3, T4, T5
- 0-10V Dimming Drivers THD @ Max Load < 15%
- Power factor @ Max Load < 0.95
- Amber, 2700K, 3000K, 3500K, 4000K, or 5000K
- 80L to 144L LED Configuration
- CRI 70, 80, or 90
- 5 Mils Powder Coat
- Up to 47,380 Lumens

Reliability

- Silicone Micro Optics
- 5 Year Standard Warranty
- IP67 Optics
- IP66 Fixture

BUY AMERICAN

To ensure the latest BAA/TAA/BABA Standards are being met, please select BAA, TAA, or BABA in the options section. Please contact the factory before placing an order for any NLS products requesting BAA (Buy American Act), TAA (Trade American Act), or BABA (Build America, Buy America).



Project Name:

Type:

ORGANIX - 3 - POST TOP ORDERING GUIDE

Cat#	Light Dist.	No. of LEDs	Milliamps	Kelvin Temp	Volts
Organix - 3 Post-Top (ORX-3)	Type 2 (T2)	80 (80L)	350 (35)	Amber 585-600nm (AMBER) ^{① ②}	120-277 (UNV)
	Type 3 (T3)	96 (96L)	530 (53)	2700K, 70 CRI (27K7)	347-480 (HV)
	Type 4 (T4)	128 (128L)	700 (7)	2700K, 80 CRI (27K8) ①	
	Type 5 (T5)	144 (144L)	1000 (1A)	3000K, 70 CRI (30K7)	
	Front Row (FR) ^⑦		1050 (1) ^③	3000K, 80 CRI (30K8) ①	
	Upper Corner Right (UCR) ^⑦			3500K, 80 CRI (35K8)	
	Upper Corner Left (UCL) ^⑦			4000K, 70 CRI (40K7)	
	Lower Corner Right (LCR) ^⑦			4000K, 80 CRI (40K8) ①	
	Lower Corner Left (LCL) ^⑦			5000K, 70 CRI (50K7)	
				5000K, 80 CRI (50K8) ①	

Mounting	Color	Control Options	Options	Lens Options
Single Arm Post Top Over 2.3/8" OD (SPT238)	Bronze Textured (BRZ)	Nema 7-Pin Receptacle (PE7)	Marine Grade Finish (MGF)	Diffused Polycarbonate Visual Comfort Lens (DPCL) ^⑥
Single Arm Post Top Over 3.5" OD (SPT312)	White Textured (WHT)	Nema 7-Pin Receptacle +Shorting Cap (PER)	House Side Shield (HSS)	Clear Tempered Glass Lens (CTG) ^⑥
Double Arm Post Top Over 2.3/8" OD (DPT238)	Smooth White Gloss (SWT)	Photocell+Receptacle (PCR)	Automotive House Side Shield (AHS)	
Double Arm Post Top Over 3.5" OD (DPT312)	Silver Textured (SVR)	FSP-211 with Motion Sensor (FSP-20) ^{④ ⑤}	Single Fuse (SF)	
	Black Textured (BLK)	9'-20" Heights (FSP-40) ^{④ ⑤}	Double Fuse (DF)	
	Smooth Black Gloss (SBK)	21'-40' Heights	Tamper Proof Hardware (TPH)	
	Graphite Textured (GPH)	Custom Controls Integration (CCI) ^②	Buy American (BAA) ^⑤	
	Grey (GRY)	FSP Remote (FSIR) ^⑥	Trade American (TAA) ^⑤	
	Green (GRN)		Build America Buy American (BABA) ^⑥	
	Custom (CS)			

- Notes:**
- ① Consult Factory For Lead Time. Consult Factory For 90 CRI Requests.
 - ② Please contact Factory for Custom Control Integration requests (nLight, NX, WaveLinx, Crestron, DMX/RDM, Synapse, Casambi, Dali II, Avi-On, or other control systems)
 - ③ Universal Voltage 120-277
 - ④ Turtle Safe
 - ⑤ Consult factory for all BAA/TAA/BABA requests
 - ⑥ 700mA Max For Lens Options
 - ⑦ Consult Factory
 - ⑧ Not Available in 144L
 - ⑨ Not Available With Lens Options (DPCL, CTG)
 - ⑩ Projects with sensors require Qty. 1 FSIR per project
 - ⑪ Max mA 1050
 - ⑫ Consult Factory



701 Kingshill Place, Carson, CA 90746
P: (310) 341-2037

nslighting.com

PRODUCT SPECIFICATIONS

ELECTRICAL

- 120-277 Volts (UNV) or 347-480 Volts (HV)
- 0-10V dimming driver
- Driver power factor at maximum load is $\geq .95$, THD maximum load is 15%
- LED Drivers Ambient Temp. Min is -40°C and Ambient Temp. Max ranges from 50°C to 55°C and, in some cases, even higher. Consult the factory for revalidation by providing the fixture catalog string before quoting and specifying it.
- All drivers, controls, and sensors housed in enclosed IP66 compartment
- CRI 70, 80 or 90
- Color temperatures: Amber, 2700K, 3000K, 3500K, 4000K, 5000K
- Surge Protection: 20KVA supplied as standard.

CONSTRUCTION

- Die Cast Aluminum
- Internal cooling fins
- Corrosion resistant external hardware
- One-piece silicone gasket ensures IP66 seal for electronics compartment

OPTICS

Silicone optics high thermal stability and light output provide higher powered LEDs with minimized lumen depreciation. UV stability with scratch resistance increases exterior application durability. Silicone optics do not yellow, crack or brittle over time

CONTROL OPTIONS

CONTROL OPTIONS & FEATURES

- FSP-221 (FSP-X) - Passive infrared (PIR) sensor providing multi-level control based on motion/daylight contribution.
- All control parameters adjustable via wireless configuration remote storing and transmitting sensor profiles.
- * Party Setting Available (10% output) Consult Factory
- * Can maintain constant foot candles over time. Consult Factory
- FSP-20 mounting heights 9-20 feet
- FSP-40 mounting heights 21-40 feet.
- Includes 5 dimming event cycles, 0-10V dimming with motion sensing, re-programmable in the field. Programmable remote must be purchased separately.
- FSIR-100 commissioning remote is required to change sensor settings. Please contact factory for ordering.

- NEMA 7-PIN RECEPTACLE (PE7) - An ANSI C136.41-2013 receptacle provides electrical and mechanical interconnection between photo control cell and luminaire. Dimming receptacle available two or four dimming contacts supports 0-10 VDC dimming methods or Digital Addressable Lighting Interface (DALI), providing reliable power interconnect.

- RECEPTACLE + SHORTING CAP (PER) - 7-Pin Receptacle and Shorting Cap.

- PHOTOCELL + RECEPTACLE (PCR) - 7-Pin Receptacle and Photocell.

- Controls Agnostic: Please contact factory for your preferred controls option. (nLight, NX, WaveLinx, Crestron, DMX/RDM, Synapse, Casambi, DALI II, Avi-On, or other control systems)

OPTIONS

- BIRD SPIKES (BS) - Offer an effective and humane deterrent for larger bird species and provide a cost-effective long-term solution to nuisance bird infestations and to protect your property.

- MARINE GRADE FINISH (MGF) - A multi-step process creating a protective finishing coat against harsh environments. Chemically washed in a 5-stage cleaning system. Pre-baked, Powder coated 3-5 mils of Zinc Rich Super Durable Polyester Primer. Oven Baked. Finished Powder Coating of Super Durable Polyester Powder Coat 3-5 mil thickness.

- House Side Shield (HSS) is designed for full property line cutoff.

- Automotive House Side Shield (AHS)

- Tamper Proof Hardware (TPH)

- Black Hardware (BH)

- Black Optic Frame (BOF)

FINISH

- 3-5 mils electrostatic powder coat.
- NLS Lighting standard high-quality finishes prevent corrosion, and protects against extreme environmental conditions.

WARRANTY

Five-year limited warranty for drivers and LEDs. Consult Factory for 7 or 10 year warranty

LISTINGS

- Certified to UL 1598
- UL 8750
- CSA C22.2 No. 250.0
- IP66 Rated Fixture
- IP67 Rated Optics
- IK10 Rated

BUY AMERICAN OPTION

While all of the NLS Lighting products listed in this document qualify for the Buy America(n) Act of 1933, we reserve the right to change our listings without notice.

The information provided above is for general informational purposes only. We encourage you to consult legal professionals for advice particular to your projects concerning BAA, TAA, BABA or Buy America.

Additional NLS Products that meet BAA, TAA standards can be found at the following link:

<https://nslighting.com/buy-american/>



The information and specifications on this document are subject to change without any notification. All values are design, nominal, typical or prorated values when measured under internal and external laboratory conditions.

NLS
LIGHTING

701 Kingshill Place, Carson, CA 90746
Call Us Today (310) 341-2037

nslighting.com

PRODUCT SPECIFICATIONS

SINGLE ARM POST TOP LUMENS

Part Number	LUMEN CHART								
	T2	LM/W	T3	LM/W	T4	LM/W	T5	LM/W	WATTS
ORX-3-SPT-80L-350-27K7	7746	92	7604	91	7475	89	7577	90	84
ORX-3-SPT-80L-350-27K8	7253	86	7120	85	6999	83	7094	84	84
ORX-3-SPT-80L-350-30K8	7776	93	7634	91	7504	89	7606	91	84
ORX-3-SPT-80L-350-30K7	8375	100	8222	98	8082	96	8192	98	84
ORX-3-SPT-80L-350-35K8	7776	93	7634	91	7504	89	7606	91	84
ORX-3-SPT-80L-350-40K8	8375	100	8222	98	8082	96	8192	98	84
ORX-3-SPT-80L-350-40K7	9049	108	8884	106	8733	104	8851	105	84
ORX-3-SPT-80L-350-50K8	8375	100	8222	98	8082	96	8192	98	84
ORX-3-SPT-80L-350-50K7	9049	108	8884	106	8733	104	8851	105	84
ORX-3-SPT-80L-530-27K7	11730	92	11515	91	11319	89	11473	90	127
ORX-3-SPT-80L-530-27K8	10983	86	10782	85	10599	83	10743	85	127
ORX-3-SPT-80L-530-30K8	11776	93	11560	91	11363	89	11518	91	127
ORX-3-SPT-80L-530-30K7	12683	100	12450	98	12238	96	12405	98	127
ORX-3-SPT-80L-530-35K8	11776	93	11560	91	11363	89	11518	91	127
ORX-3-SPT-80L-530-40K8	12683	100	12450	98	12238	96	12405	98	127
ORX-3-SPT-80L-530-40K7	13703	108	13453	106	13224	104	13403	106	127
ORX-3-SPT-80L-530-50K8	12683	100	12450	98	12238	96	12405	98	127
ORX-3-SPT-80L-530-50K7	13703	108	13453	106	13224	104	13403	106	127
ORX-3-SPT-80L-700-27K7	15493	93	15209	91	14950	90	15153	91	167
ORX-3-SPT-80L-700-27K8	14506	87	14241	85	13998	84	14188	85	167
ORX-3-SPT-80L-700-30K8	15553	93	15268	91	15008	90	15212	91	167
ORX-3-SPT-80L-700-30K7	16751	100	16444	98	16164	97	16383	98	167
ORX-3-SPT-80L-700-35K8	15553	93	15268	91	15008	90	15212	91	167
ORX-3-SPT-80L-700-40K8	16751	100	16444	98	16164	97	16383	98	167
ORX-3-SPT-80L-700-40K7	18099	108	17768	106	17465	105	17702	106	167
ORX-3-SPT-80L-700-50K8	16751	100	16444	98	16164	97	16383	98	167
ORX-3-SPT-80L-700-50K7	18099	108	17768	106	17465	105	17702	106	167
ORX-3-SPT-80L-1050-27K7	22132	93	21727	91	21357	89	21647	91	239
ORX-3-SPT-80L-1050-27K8	20723	87	20344	85	19997	84	20269	85	239
ORX-3-SPT-80L-1050-30K8	22218	93	21812	91	21440	90	21731	91	239
ORX-3-SPT-80L-1050-30K7	23929	100	23491	98	23091	97	23405	98	239
ORX-3-SPT-80L-1050-35K8	22218	93	21812	91	21440	90	21731	91	239
ORX-3-SPT-80L-1050-40K8	23929	100	23491	98	23091	97	23405	98	239
ORX-3-SPT-80L-1050-40K7	25856	108	25382	106	24950	104	25289	106	239
ORX-3-SPT-80L-1050-50K8	23929	100	23491	98	23091	97	23405	98	239
ORX-3-SPT-80L-1050-50K7	25856	108	25382	106	24950	104	25289	106	239
ORX-3-SPT-96L-350-27K7	9296	93	9125	91	8970	90	9092	91	100
ORX-3-SPT-96L-350-27K8	8704	87	8544	85	8399	84	8513	85	100
ORX-3-SPT-96L-350-30K8	9332	93	9161	92	9005	90	9127	91	100
ORX-3-SPT-96L-350-30K7	10050	101	9866	99	9698	97	9830	98	100
ORX-3-SPT-96L-350-35K8	9332	93	9161	92	9005	90	9127	91	100
ORX-3-SPT-96L-350-40K8	10050	101	9866	99	9698	97	9830	98	100
ORX-3-SPT-96L-350-40K7	10859	109	10661	107	10479	105	10621	106	100
ORX-3-SPT-96L-350-50K8	10050	101	9866	99	9698	97	9830	98	100
ORX-3-SPT-96L-350-50K7	10859	109	10661	107	10479	105	10621	106	100
ORX-3-SPT-96L-530-27K7	14076	93	13818	91	13583	89	13768	91	152
ORX-3-SPT-96L-530-27K8	13180	87	12939	85	12718	84	12891	85	152
ORX-3-SPT-96L-530-30K8	14131	93	13872	91	13636	90	13821	91	152
ORX-3-SPT-96L-530-30K7	15219	100	14940	98	14686	97	14885	98	152
ORX-3-SPT-96L-530-35K8	14131	93	13872	91	13636	90	13821	91	152
ORX-3-SPT-96L-530-40K8	15219	100	14940	98	14686	97	14885	98	152
ORX-3-SPT-96L-530-40K7	16444	108	16143	106	15868	104	16084	106	152
ORX-3-SPT-96L-530-50K8	15219	100	14940	98	14686	97	14885	98	152
ORX-3-SPT-96L-530-50K7	16444	108	16143	106	15868	104	16084	106	152
ORX-3-SPT-96L-700-27K7	18591	92	18251	91	17940	89	18184	90	201
ORX-3-SPT-96L-700-27K8	17407	87	17089	85	16798	84	17026	85	201
ORX-3-SPT-96L-700-30K8	18663	93	18322	91	18010	90	18254	91	201
ORX-3-SPT-96L-700-30K7	20101	100	19733	98	19397	97	19660	98	201
ORX-3-SPT-96L-700-35K8	18663	93	18322	91	18010	90	18254	91	201
ORX-3-SPT-96L-700-40K8	20101	100	19733	98	19397	97	19660	98	201
ORX-3-SPT-96L-700-40K7	21719	108	21321	106	20958	104	21243	106	201
ORX-3-SPT-96L-700-50K8	20101	100	19733	98	19397	97	19660	98	201
ORX-3-SPT-96L-700-50K7	21719	108	21321	106	20958	104	21243	106	201
ORX-3-SPT-96L-1050-27K7	26559	93	26072	91	25629	89	25977	91	287
ORX-3-SPT-96L-1050-27K8	24868	87	24412	85	23997	84	24323	85	287
ORX-3-SPT-96L-1050-30K8	26662	93	26174	91	25728	90	26078	91	287
ORX-3-SPT-96L-1050-30K7	28715	100	28189	98	27709	97	28086	98	287
ORX-3-SPT-96L-1050-35K8	26662	93	26174	91	25728	90	26078	91	287
ORX-3-SPT-96L-1050-40K8	28715	100	28189	98	27709	97	28086	98	287
ORX-3-SPT-96L-1050-40K7	31027	108	30459	106	29940	104	30347	106	287
ORX-3-SPT-96L-1050-50K8	28715	100	28189	98	27709	97	28086	98	287
ORX-3-SPT-96L-1050-50K7	31027	108	30459	106	29940	104	30347	106	287



701 Kingshill Place, Carson, CA 90746
Call Us Today (310) 341-2037

nslighting.com

PRODUCT SPECIFICATIONS

SINGLE ARM POST TOP B.U.G. RATINGS

B.U.G. DATA						
Part Number	T2 B.U.G.	T3 B.U.G.	T4 B.U.G.	T5 B.U.G.	WATTS	
ORX-3-SPT-80L-350-27K7	B2-U2-G2	B2-U2-G2	B2-U2-G2	B3-U2-G3	84	
ORX-3-SPT-80L-350-27K8	B1-U2-G2	B2-U2-G2	B2-U2-G2	B3-U2-G3	84	
ORX-3-SPT-80L-350-30K8	B2-U2-G2	B2-U2-G2	B2-U2-G2	B3-U2-G3	84	
ORX-3-SPT-80L-350-30K7	B2-U2-G2	B2-U2-G2	B2-U2-G2	B3-U2-G3	84	
ORX-3-SPT-80L-350-35K8	B2-U2-G2	B2-U2-G2	B2-U2-G2	B3-U2-G3	84	
ORX-3-SPT-80L-350-40K8	B2-U2-G2	B2-U2-G2	B2-U2-G2	B3-U2-G3	84	
ORX-3-SPT-80L-350-40K7	B2-U3-G2	B2-U2-G2	B2-U2-G2	B3-U3-G3	84	
ORX-3-SPT-80L-350-50K8	B2-U2-G2	B2-U2-G2	B2-U2-G2	B3-U2-G3	84	
ORX-3-SPT-80L-350-50K7	B2-U3-G2	B2-U2-G2	B2-U2-G2	B3-U3-G3	84	
ORX-3-SPT-80L-530-27K7	B2-U3-G2	B2-U3-G2	B2-U3-G2	B4-U3-G4	127	
ORX-3-SPT-80L-530-27K8	B2-U3-G2	B2-U3-G2	B2-U3-G2	B4-U3-G4	127	
ORX-3-SPT-80L-530-30K8	B2-U3-G2	B2-U3-G2	B2-U3-G2	B4-U3-G4	127	
ORX-3-SPT-80L-530-30K7	B2-U3-G2	B3-U3-G3	B2-U3-G2	B4-U3-G4	127	
ORX-3-SPT-80L-530-35K8	B2-U3-G2	B2-U3-G2	B2-U3-G2	B4-U3-G4	127	
ORX-3-SPT-80L-530-40K8	B2-U3-G2	B3-U3-G3	B2-U3-G2	B4-U3-G4	127	
ORX-3-SPT-80L-530-40K7	B2-U3-G2	B3-U3-G3	B2-U3-G2	B4-U3-G4	127	
ORX-3-SPT-80L-530-50K8	B2-U3-G2	B3-U3-G3	B2-U3-G2	B4-U3-G4	127	
ORX-3-SPT-80L-530-50K7	B2-U3-G2	B3-U3-G3	B2-U3-G2	B4-U3-G4	127	
ORX-3-SPT-80L-700-27K7	B3-U3-G3	B3-U3-G3	B3-U3-G3	B4-U3-G4	167	
ORX-3-SPT-80L-700-27K8	B2-U3-G2	B3-U3-G3	B3-U3-G3	B4-U3-G4	167	
ORX-3-SPT-80L-700-30K8	B3-U3-G3	B3-U3-G3	B3-U3-G3	B4-U3-G4	167	
ORX-3-SPT-80L-700-30K7	B3-U3-G3	B3-U3-G3	B3-U3-G3	B4-U3-G4	167	
ORX-3-SPT-80L-700-35K8	B3-U3-G3	B3-U3-G3	B3-U3-G3	B4-U3-G4	167	
ORX-3-SPT-80L-700-40K8	B3-U3-G3	B3-U3-G3	B3-U3-G3	B4-U3-G4	167	
ORX-3-SPT-80L-700-40K7	B3-U3-G3	B3-U3-G3	B3-U3-G3	B4-U3-G4	167	
ORX-3-SPT-80L-700-50K8	B3-U3-G3	B3-U3-G3	B3-U3-G3	B4-U3-G4	167	
ORX-3-SPT-80L-700-50K7	B3-U3-G3	B3-U3-G3	B3-U3-G3	B4-U3-G4	167	
ORX-3-SPT-80L-1050-27K7	B3-U3-G3	B3-U3-G3	B3-U3-G3	B5-U3-G5	239	
ORX-3-SPT-80L-1050-27K8	B3-U3-G3	B3-U3-G3	B3-U3-G3	B4-U3-G4	239	
ORX-3-SPT-80L-1050-30K8	B3-U3-G3	B3-U3-G3	B3-U3-G3	B5-U3-G5	239	
ORX-3-SPT-80L-1050-30K7	B3-U3-G3	B3-U3-G3	B3-U3-G4	B5-U3-G5	239	
ORX-3-SPT-80L-1050-35K8	B3-U3-G3	B3-U3-G3	B3-U3-G3	B5-U3-G5	239	
ORX-3-SPT-80L-1050-40K8	B3-U3-G3	B3-U3-G3	B3-U3-G4	B5-U3-G5	239	
ORX-3-SPT-80L-1050-40K7	B3-U3-G3	B3-U3-G3	B3-U3-G4	B5-U3-G5	239	
ORX-3-SPT-80L-1050-50K8	B3-U3-G3	B3-U3-G3	B3-U3-G4	B5-U3-G5	239	
ORX-3-SPT-80L-1050-50K7	B3-U3-G3	B3-U3-G3	B3-U3-G4	B5-U3-G5	239	
ORX-3-SPT-96L-350-27K7	B2-U3-G2	B2-U2-G2	B2-U2-G2	B3-U3-G3	100	
ORX-3-SPT-96L-350-27K8	B2-U2-G2	B2-U2-G2	B2-U2-G2	B3-U2-G3	100	
ORX-3-SPT-96L-350-30K8	B2-U3-G2	B2-U2-G2	B2-U2-G2	B3-U3-G3	100	
ORX-3-SPT-96L-350-30K7	B2-U3-G2	B2-U3-G2	B2-U3-G2	B3-U3-G3	100	
ORX-3-SPT-96L-350-35K8	B2-U3-G2	B2-U2-G2	B2-U2-G2	B3-U3-G3	100	
ORX-3-SPT-96L-350-40K8	B2-U3-G2	B2-U3-G2	B2-U3-G2	B3-U3-G3	100	
ORX-3-SPT-96L-350-40K7	B2-U3-G2	B2-U3-G2	B2-U3-G2	B3-U3-G3	100	
ORX-3-SPT-96L-350-50K8	B2-U3-G2	B2-U3-G2	B2-U3-G2	B3-U3-G3	100	
ORX-3-SPT-96L-350-50K7	B2-U3-G2	B2-U3-G2	B2-U3-G2	B3-U3-G3	100	
ORX-3-SPT-96L-530-27K7	B2-U3-G2	B3-U3-G3	B3-U3-G3	B4-U3-G4	152	
ORX-3-SPT-96L-530-27K8	B2-U3-G2	B3-U3-G3	B2-U3-G2	B4-U3-G4	152	
ORX-3-SPT-96L-530-30K8	B2-U3-G2	B3-U3-G3	B3-U3-G3	B4-U3-G4	152	
ORX-3-SPT-96L-530-30K7	B3-U3-G3	B3-U3-G3	B3-U3-G3	B4-U3-G4	152	
ORX-3-SPT-96L-530-35K8	B2-U3-G2	B3-U3-G3	B3-U3-G3	B4-U3-G4	152	
ORX-3-SPT-96L-530-40K8	B3-U3-G3	B3-U3-G3	B3-U3-G3	B4-U3-G4	152	
ORX-3-SPT-96L-530-40K7	B3-U3-G3	B3-U3-G3	B3-U3-G3	B4-U3-G4	152	
ORX-3-SPT-96L-530-50K8	B3-U3-G3	B3-U3-G3	B3-U3-G3	B4-U3-G4	152	
ORX-3-SPT-96L-530-50K7	B3-U3-G3	B3-U3-G3	B3-U3-G3	B4-U3-G4	152	
ORX-3-SPT-96L-700-27K7	B3-U3-G3	B3-U3-G3	B3-U3-G3	B4-U3-G4	201	
ORX-3-SPT-96L-700-27K8	B3-U3-G3	B3-U3-G3	B3-U3-G3	B4-U3-G4	201	
ORX-3-SPT-96L-700-30K8	B3-U3-G3	B3-U3-G3	B3-U3-G3	B4-U3-G4	201	
ORX-3-SPT-96L-700-30K7	B3-U3-G3	B3-U3-G3	B3-U3-G3	B4-U3-G4	201	
ORX-3-SPT-96L-700-35K8	B3-U3-G3	B3-U3-G3	B3-U3-G3	B4-U3-G4	201	
ORX-3-SPT-96L-700-40K8	B3-U3-G3	B3-U3-G3	B3-U3-G3	B4-U3-G4	201	
ORX-3-SPT-96L-700-40K7	B3-U3-G3	B3-U3-G3	B3-U3-G3	B4-U3-G4	201	
ORX-3-SPT-96L-700-50K8	B3-U3-G3	B3-U3-G3	B3-U3-G3	B4-U3-G4	201	
ORX-3-SPT-96L-700-50K7	B3-U3-G3	B3-U3-G3	B3-U3-G3	B4-U3-G4	201	
ORX-3-SPT-96L-1050-27K7	B3-U3-G3	B3-U3-G3	B3-U3-G4	B5-U3-G5	287	
ORX-3-SPT-96L-1050-27K8	B3-U3-G3	B3-U3-G3	B3-U3-G4	B5-U3-G5	287	
ORX-3-SPT-96L-1050-30K8	B3-U3-G3	B3-U3-G3	B3-U3-G4	B5-U3-G5	287	
ORX-3-SPT-96L-1050-30K7	B3-U3-G3	B3-U3-G4	B3-U3-G4	B5-U3-G5	287	
ORX-3-SPT-96L-1050-35K8	B3-U3-G3	B3-U3-G3	B3-U3-G4	B5-U3-G5	287	
ORX-3-SPT-96L-1050-40K8	B3-U3-G3	B3-U3-G4	B3-U3-G4	B5-U3-G5	287	
ORX-3-SPT-96L-1050-40K7	B3-U3-G4	B3-U3-G4	B3-U3-G4	B5-U3-G5	287	
ORX-3-SPT-96L-1050-50K8	B3-U3-G3	B3-U3-G4	B3-U3-G4	B5-U3-G5	287	
ORX-3-SPT-96L-1050-50K7	B3-U3-G4	B3-U3-G4	B3-U3-G4	B5-U3-G5	287	



701 Kingshill Place, Carson, CA 90746
Call Us Today (310) 341-2037

nslighting.com

PRODUCT SPECIFICATIONS

SINGLE ARM POST TOP LUMENS

Part Number	LUMEN CHART								
	T2	LM/W	T3	LM/W	T4	LM/W	T5	LM/W	WATTS
ORX-3-SPT-128L-350-27K7	12394	92	12167	91	11960	89	12122	90	134
ORX-3-SPT-128L-350-27K8	11605	87	11392	85	11198	84	11351	85	134
ORX-3-SPT-128L-350-30K8	12442	93	12215	91	12007	90	12170	91	134
ORX-3-SPT-128L-350-30K7	13400	100	13155	98	12931	97	13107	98	134
ORX-3-SPT-128L-350-35K8	12442	93	12215	91	12007	90	12170	91	134
ORX-3-SPT-128L-350-40K8	13400	100	13155	98	12931	97	13107	98	134
ORX-3-SPT-128L-350-40K7	14479	108	14214	106	13972	104	14162	106	134
ORX-3-SPT-128L-350-50K8	13400	100	13155	98	12931	97	13107	98	134
ORX-3-SPT-128L-350-50K7	14479	108	14214	106	13972	104	14162	106	134
ORX-3-SPT-128L-530-27K7	18768	92	18425	91	18111	89	18357	90	203
ORX-3-SPT-128L-530-27K8	17573	87	17251	85	16958	84	17188	85	203
ORX-3-SPT-128L-530-30K8	18841	93	18496	91	18181	90	18428	91	203
ORX-3-SPT-128L-530-30K7	20292	100	19921	98	19581	96	19847	98	203
ORX-3-SPT-128L-530-35K8	18841	93	18496	91	18181	90	18428	91	203
ORX-3-SPT-128L-530-40K8	20292	100	19921	98	19581	96	19847	98	203
ORX-3-SPT-128L-530-40K7	21926	108	21524	106	21158	104	21445	106	203
ORX-3-SPT-128L-530-50K8	20292	100	19921	98	19581	96	19847	98	203
ORX-3-SPT-128L-530-50K7	21926	108	21524	106	21158	104	21445	106	203
ORX-3-SPT-128L-700-27K7	24788	92	24334	91	23920	89	24245	90	268
ORX-3-SPT-128L-700-27K8	23210	87	22785	85	22397	84	22701	85	268
ORX-3-SPT-128L-700-30K8	24885	93	24429	91	24013	90	24339	91	268
ORX-3-SPT-128L-700-30K7	26801	100	26310	98	25862	97	26213	98	268
ORX-3-SPT-128L-700-35K8	24885	93	24429	91	24013	90	24339	91	268
ORX-3-SPT-128L-700-40K8	26801	100	26310	98	25862	97	26213	98	268
ORX-3-SPT-128L-700-40K7	28958	108	28428	106	27944	104	28324	106	268
ORX-3-SPT-128L-700-50K8	26801	100	26310	98	25862	97	26213	98	268
ORX-3-SPT-128L-700-50K7	28958	108	28428	106	27944	104	28324	106	268
ORX-3-SPT-128L-1050-27K7	35412	93	34763	91	34171	89	34635	91	382
ORX-3-SPT-128L-1050-27K8	33157	87	32550	85	31996	84	32430	85	382
ORX-3-SPT-128L-1050-30K8	35549	93	34899	91	34304	90	34770	91	382
ORX-3-SPT-128L-1050-30K7	38287	100	37586	98	36946	97	37448	98	382
ORX-3-SPT-128L-1050-35K8	35549	93	34899	91	34304	90	34770	91	382
ORX-3-SPT-128L-1050-40K8	38287	100	37586	98	36946	97	37448	98	382
ORX-3-SPT-128L-1050-40K7	41369	108	40612	106	39920	105	40462	106	382
ORX-3-SPT-128L-1050-50K8	38287	100	37586	98	36946	97	37448	98	382
ORX-3-SPT-128L-1050-50K7	41369	108	40612	106	39920	105	40462	106	382
ORX-3-SPT-144L-350-27K7	13943	92	13688	91	13455	89	13638	90	151
ORX-3-SPT-144L-350-27K8	13056	86	12817	85	12598	83	12769	85	151
ORX-3-SPT-144L-350-30K8	13998	93	13741	91	13507	89	13691	91	151
ORX-3-SPT-144L-350-30K7	15075	100	14799	98	14547	96	14745	98	151
ORX-3-SPT-144L-350-35K8	13998	93	13741	91	13507	89	13691	91	151
ORX-3-SPT-144L-350-40K8	15075	100	14799	98	14547	96	14745	98	151
ORX-3-SPT-144L-350-40K7	16289	108	15991	106	15719	104	15932	106	151
ORX-3-SPT-144L-350-50K8	15075	100	14799	98	14547	96	14745	98	151
ORX-3-SPT-144L-350-50K7	16289	108	15991	106	15719	104	15932	106	151
ORX-3-SPT-144L-530-27K7	21114	93	20728	91	20375	89	20651	91	228
ORX-3-SPT-144L-530-27K8	19770	87	19408	85	19077	84	19337	85	228
ORX-3-SPT-144L-530-30K8	21196	93	20808	91	20454	90	20732	91	228
ORX-3-SPT-144L-530-30K7	22829	100	22411	98	22029	97	22328	98	228
ORX-3-SPT-144L-530-35K8	21196	93	20808	91	20454	90	20732	91	228
ORX-3-SPT-144L-530-40K8	22829	100	22411	98	22029	97	22328	98	228
ORX-3-SPT-144L-530-40K7	24666	108	24215	106	23802	104	24126	106	228
ORX-3-SPT-144L-530-50K8	22829	100	22411	98	22029	97	22328	98	228
ORX-3-SPT-144L-530-50K7	24666	108	24215	106	23802	104	24126	106	228
ORX-3-SPT-144L-700-27K7	27887	93	27376	91	26910	89	27275	91	301
ORX-3-SPT-144L-700-27K8	26111	87	25633	85	25197	84	25539	85	301
ORX-3-SPT-144L-700-30K8	27995	93	27483	91	27015	90	27382	91	301
ORX-3-SPT-144L-700-30K7	30151	100	29599	98	29095	97	29490	98	301
ORX-3-SPT-144L-700-35K8	27995	93	27483	91	27015	90	27382	91	301
ORX-3-SPT-144L-700-40K8	30151	100	29599	98	29095	97	29490	98	301
ORX-3-SPT-144L-700-40K7	32578	108	31982	106	31437	104	31864	106	301
ORX-3-SPT-144L-700-50K8	30151	100	29599	98	29095	97	29490	98	301
ORX-3-SPT-144L-700-50K7	32578	108	31982	106	31437	104	31864	106	301
ORX-3-SPT-144L-1A-27K7	39838	93	39109	91	38443	89	38965	91	430
ORX-3-SPT-144L-1A-27K8	37302	87	36619	85	35995	84	36484	85	430
ORX-3-SPT-144L-1A-30K8	39993	93	39261	91	38592	90	39117	91	430
ORX-3-SPT-144L-1A-30K7	43073	100	42284	98	41564	97	42129	98	430
ORX-3-SPT-144L-1A-35K8	39993	93	39261	91	38592	90	39117	91	430
ORX-3-SPT-144L-1A-40K8	43073	100	42284	98	41564	97	42129	98	430
ORX-3-SPT-144L-1A-40K7	46540	108	45688	106	44910	104	45520	106	430
ORX-3-SPT-144L-1A-50K8	43073	100	42284	98	41564	97	42129	98	430
ORX-3-SPT-144L-1A-50K7	46540	108	45688	106	44910	104	45520	106	430



701 Kingshill Place, Carson, CA 90746
Call Us Today (310) 341-2037

nslighting.com

PRODUCT SPECIFICATIONS

SINGLE ARM POST TOP B.U.G. RATINGS

Part Number	B.U.G. DATA					WATTS
	T2 B.U.G.	T3 B.U.G.	T4 B.U.G.	T5 B.U.G.		
ORX-3-SPT-128L-350-27K7	12394	12167	11960	12122	134	
ORX-3-SPT-128L-350-27K8	11605	11392	11198	11351	134	
ORX-3-SPT-128L-350-30K8	12442	12215	12007	12170	134	
ORX-3-SPT-128L-350-30K7	13400	13155	12931	13107	134	
ORX-3-SPT-128L-350-35K8	12442	12215	12007	12170	134	
ORX-3-SPT-128L-350-40K8	13400	13155	12931	13107	134	
ORX-3-SPT-128L-350-40K7	14479	14214	13972	14162	134	
ORX-3-SPT-128L-350-50K8	13400	13155	12931	13107	134	
ORX-3-SPT-128L-350-50K7	14479	14214	13972	14162	134	
ORX-3-SPT-128L-530-27K7	18768	18425	18111	18357	203	
ORX-3-SPT-128L-530-27K8	17573	17251	16958	17188	203	
ORX-3-SPT-128L-530-30K8	18841	18496	18181	18428	203	
ORX-3-SPT-128L-530-30K7	20292	19921	19581	19847	203	
ORX-3-SPT-128L-530-35K8	18841	18496	18181	18428	203	
ORX-3-SPT-128L-530-40K8	20292	19921	19581	19847	203	
ORX-3-SPT-128L-530-40K7	21926	21524	21158	21445	203	
ORX-3-SPT-128L-530-50K8	20292	19921	19581	19847	203	
ORX-3-SPT-128L-530-50K7	21926	21524	21158	21445	203	
ORX-3-SPT-128L-700-27K7	24788	24334	23920	24245	268	
ORX-3-SPT-128L-700-27K8	23210	22785	22397	22701	268	
ORX-3-SPT-128L-700-30K8	24885	24429	24013	24339	268	
ORX-3-SPT-128L-700-30K7	26801	26310	25862	26213	268	
ORX-3-SPT-128L-700-35K8	24885	24429	24013	24339	268	
ORX-3-SPT-128L-700-40K8	26801	26310	25862	26213	268	
ORX-3-SPT-128L-700-40K7	28958	28428	27944	28324	268	
ORX-3-SPT-128L-700-50K8	26801	26310	25862	26213	268	
ORX-3-SPT-128L-700-50K7	28958	28428	27944	28324	268	
ORX-3-SPT-128L-1050-27K7	35412	34763	34171	34635	382	
ORX-3-SPT-128L-1050-27K8	33157	32550	31996	32430	382	
ORX-3-SPT-128L-1050-30K8	35549	34899	34304	34770	382	
ORX-3-SPT-128L-1050-30K7	38287	37586	36946	37448	382	
ORX-3-SPT-128L-1050-35K8	35549	34899	34304	34770	382	
ORX-3-SPT-128L-1050-40K8	38287	37586	36946	37448	382	
ORX-3-SPT-128L-1050-40K7	41369	40612	39920	40462	382	
ORX-3-SPT-128L-1050-50K8	38287	37586	36946	37448	382	
ORX-3-SPT-128L-1050-50K7	41369	40612	39920	40462	382	
ORX-3-SPT-144L-350-27K7	13943	13688	13455	13638	151	
ORX-3-SPT-144L-350-27K8	13056	12817	12598	12769	151	
ORX-3-SPT-144L-350-30K8	13998	13741	13507	13691	151	
ORX-3-SPT-144L-350-30K7	15075	14799	14547	14745	151	
ORX-3-SPT-144L-350-35K8	13998	13741	13507	13691	151	
ORX-3-SPT-144L-350-40K8	15075	14799	14547	14745	151	
ORX-3-SPT-144L-350-40K7	16289	15991	15719	15932	151	
ORX-3-SPT-144L-350-50K8	15075	14799	14547	14745	151	
ORX-3-SPT-144L-350-50K7	16289	15991	15719	15932	151	
ORX-3-SPT-144L-530-27K7	21114	20728	20375	20651	228	
ORX-3-SPT-144L-530-27K8	19770	19408	19077	19337	228	
ORX-3-SPT-144L-530-30K8	21196	20808	20454	20732	228	
ORX-3-SPT-144L-530-30K7	22829	22411	22029	22328	228	
ORX-3-SPT-144L-530-35K8	21196	20808	20454	20732	228	
ORX-3-SPT-144L-530-40K8	22829	22411	22029	22328	228	
ORX-3-SPT-144L-530-40K7	24666	24215	23802	24126	228	
ORX-3-SPT-144L-530-50K8	22829	22411	22029	22328	228	
ORX-3-SPT-144L-530-50K7	24666	24215	23802	24126	228	
ORX-3-SPT-144L-700-27K7	27887	27376	26910	27275	301	
ORX-3-SPT-144L-700-27K8	26111	25633	25197	25539	301	
ORX-3-SPT-144L-700-30K8	27995	27483	27015	27382	301	
ORX-3-SPT-144L-700-30K7	30151	29599	29095	29490	301	
ORX-3-SPT-144L-700-35K8	27995	27483	27015	27382	301	
ORX-3-SPT-144L-700-40K8	30151	29599	29095	29490	301	
ORX-3-SPT-144L-700-40K7	32578	31982	31437	31864	301	
ORX-3-SPT-144L-700-50K8	30151	29599	29095	29490	301	
ORX-3-SPT-144L-700-50K7	32578	31982	31437	31864	301	
ORX-3-SPT-144L-1A-27K7	39838	39109	38443	38965	430	
ORX-3-SPT-144L-1A-27K8	37302	36619	35995	36484	430	
ORX-3-SPT-144L-1A-30K8	39993	39261	38592	39117	430	
ORX-3-SPT-144L-1A-30K7	43073	42284	41564	42129	430	
ORX-3-SPT-144L-1A-35K8	39993	39261	38592	39117	430	
ORX-3-SPT-144L-1A-40K8	43073	42284	41564	42129	430	
ORX-3-SPT-144L-1A-40K7	46540	45688	44910	45520	430	
ORX-3-SPT-144L-1A-50K8	43073	42284	41564	42129	430	
ORX-3-SPT-144L-1A-50K7	46540	45688	44910	45520	430	



701 Kingshill Place, Carson, CA 90746
Call Us Today (310) 341-2037

nslighting.com

PRODUCT SPECIFICATIONS

DOUBLE ARM POST TOP LUMENS

LUMEN CHART									
Part Number	T2	LM/W	T3	LM/W	T4	LM/W	T5	LM/W	WATTS
ORX-3-DPT-80L-350-27K7	7250	86	7126	85	7246	86	7886	90	84
ORX-3-DPT-80L-350-27K8	6788	81	6672	79	6784	81	7384	84	84
ORX-3-DPT-80L-350-30K8	7278	87	7153	85	7274	87	7917	90	84
ORX-3-DPT-80L-350-30K7	7839	93	7704	92	7834	93	8526	97	84
ORX-3-DPT-80L-350-35K8	7278	87	7153	85	7274	87	7917	90	84
ORX-3-DPT-80L-350-40K8	7839	93	7704	92	7834	93	8526	97	84
ORX-3-DPT-80L-350-40K7	8470	101	8324	99	8465	101	9213	105	84
ORX-3-DPT-80L-350-50K8	7839	93	7704	92	7834	93	8526	97	84
ORX-3-DPT-80L-350-50K7	8470	101	8324	99	8465	101	9213	105	84
ORX-3-DPT-80L-530-27K7	10979	86	10790	85	10972	86	11942	90	127
ORX-3-DPT-80L-530-27K8	10280	81	10103	80	10274	81	11181	84	127
ORX-3-DPT-80L-530-30K8	11021	87	10832	85	11015	87	11988	90	127
ORX-3-DPT-80L-530-30K7	11870	93	11666	92	11863	93	12911	97	127
ORX-3-DPT-80L-530-35K8	11021	87	10832	85	11015	87	11988	90	127
ORX-3-DPT-80L-530-40K8	11870	93	11666	92	11863	93	12911	97	127
ORX-3-DPT-80L-530-40K7	12826	101	12605	99	12818	101	13951	105	127
ORX-3-DPT-80L-530-50K8	11870	93	11666	92	11863	93	12911	97	127
ORX-3-DPT-80L-530-50K7	12826	101	12605	99	12818	101	13951	105	127
ORX-3-DPT-80L-700-27K7	14500	87	14251	85	14492	87	15772	90	167
ORX-3-DPT-80L-700-27K8	13577	81	13344	80	13569	81	14768	84	167
ORX-3-DPT-80L-700-30K8	14557	87	14307	86	14548	87	15834	90	167
ORX-3-DPT-80L-700-30K7	15678	94	15408	92	15668	94	17053	97	167
ORX-3-DPT-80L-700-35K8	14557	87	14307	86	14548	87	15834	90	167
ORX-3-DPT-80L-700-40K8	15678	94	15408	92	15668	94	17053	97	167
ORX-3-DPT-80L-700-40K7	16940	101	16649	100	16930	101	18426	105	167
ORX-3-DPT-80L-700-50K8	15678	94	15408	92	15668	94	17053	97	167
ORX-3-DPT-80L-700-50K7	16940	101	16649	100	16930	101	18426	105	167
ORX-3-DPT-80L-1050-27K7	20715	87	20359	85	20702	87	22532	90	239
ORX-3-DPT-80L-1050-27K8	19396	81	19063	80	19384	81	21097	84	239
ORX-3-DPT-80L-1050-30K8	20795	87	20438	86	20783	87	22619	90	239
ORX-3-DPT-80L-1050-30K7	22397	94	22012	92	22383	94	24361	97	239
ORX-3-DPT-80L-1050-35K8	20795	87	20438	86	20783	87	22619	90	239
ORX-3-DPT-80L-1050-40K8	22397	94	22012	92	22383	94	24361	97	239
ORX-3-DPT-80L-1050-40K7	24199	101	23784	100	24185	101	26322	105	239
ORX-3-DPT-80L-1050-50K8	22397	94	22012	92	22383	94	24361	97	239
ORX-3-DPT-80L-1050-50K7	24199	101	23784	100	24185	101	26322	105	239
ORX-3-DPT-96L-350-27K7	8700	87	8551	86	8695	87	9463	90	100
ORX-3-DPT-96L-350-27K8	8146	81	8006	80	8141	81	8861	84	100
ORX-3-DPT-96L-350-30K8	8734	87	8584	86	8729	87	9500	90	100
ORX-3-DPT-96L-350-30K7	9407	94	9245	92	9401	94	10232	97	100
ORX-3-DPT-96L-350-35K8	8734	87	8584	86	8729	87	9500	90	100
ORX-3-DPT-96L-350-40K8	9407	94	9245	92	9401	94	10232	97	100
ORX-3-DPT-96L-350-40K7	10164	102	9989	100	10158	102	11055	105	100
ORX-3-DPT-96L-350-50K8	9407	94	9245	92	9401	94	10232	97	100
ORX-3-DPT-96L-350-50K7	10164	102	9989	100	10158	102	11055	105	100
ORX-3-DPT-96L-530-27K7	13174	87	12948	85	13167	87	14330	90	152
ORX-3-DPT-96L-530-27K8	12336	81	12124	80	12328	81	13418	84	152
ORX-3-DPT-96L-530-30K8	13226	87	12999	86	13218	87	14386	90	152
ORX-3-DPT-96L-530-30K7	14244	94	14000	92	14236	94	15494	97	152
ORX-3-DPT-96L-530-35K8	13226	87	12999	86	13218	87	14386	90	152
ORX-3-DPT-96L-530-40K8	14244	94	14000	92	14236	94	15494	97	152
ORX-3-DPT-96L-530-40K7	15391	101	15127	100	15382	101	16741	105	152
ORX-3-DPT-96L-530-50K8	14244	94	14000	92	14236	94	15494	97	152
ORX-3-DPT-96L-530-50K7	15391	101	15127	100	15382	101	16741	105	152
ORX-3-DPT-96L-700-27K7	17400	87	17101	85	17390	87	18927	90	201
ORX-3-DPT-96L-700-27K8	16292	81	16013	80	16283	81	17722	84	201
ORX-3-DPT-96L-700-30K8	17468	87	17168	85	17458	87	19000	90	201
ORX-3-DPT-96L-700-30K7	18813	94	18490	92	18802	94	20463	97	201
ORX-3-DPT-96L-700-35K8	17468	87	17168	85	17458	87	19000	90	201
ORX-3-DPT-96L-700-40K8	18813	94	18490	92	18802	94	20463	97	201
ORX-3-DPT-96L-700-40K7	20328	101	19978	99	20315	101	22111	105	201
ORX-3-DPT-96L-700-50K8	18813	94	18490	92	18802	94	20463	97	201
ORX-3-DPT-96L-700-50K7	20328	101	19978	99	20315	101	22111	105	201
ORX-3-DPT-96L-1050-27K7	24858	87	24431	85	24843	87	27038	90	287
ORX-3-DPT-96L-1050-27K8	23275	81	22875	80	23261	81	25317	84	287
ORX-3-DPT-96L-1050-30K8	24954	87	24526	85	24939	87	27143	90	287
ORX-3-DPT-96L-1050-30K7	26876	94	26414	92	26860	94	29233	97	287
ORX-3-DPT-96L-1050-35K8	24954	87	24526	85	24939	87	27143	90	287
ORX-3-DPT-96L-1050-40K8	26876	94	26414	92	26860	94	29233	97	287
ORX-3-DPT-96L-1050-40K7	29039	101	28541	99	29022	101	31587	105	287
ORX-3-DPT-96L-1050-50K8	26876	94	26414	92	26860	94	29233	97	287
ORX-3-DPT-96L-1050-50K7	29039	101	28541	99	29022	101	31587	105	287



701 Kingshill Place, Carson, CA 90746
Call Us Today (310) 341-2037

nslighting.com

PRODUCT SPECIFICATIONS

DOUBLE ARM POST TOP LUMENS

LUMEN CHART									
Part Number	T2	LM/W	T3	LM/W	T4	LM/W	T5	LM/W	WATTS
ORX-3-DPT-128L-350-27K7	11600	87	11401	85	11593	87	12618	89	134
ORX-3-DPT-128L-350-27K8	10862	81	10675	80	10855	81	11814	84	134
ORX-3-DPT-128L-350-30K8	11645	87	11445	85	11638	87	12667	90	134
ORX-3-DPT-128L-350-30K7	12542	94	12327	92	12535	94	13642	97	134
ORX-3-DPT-128L-350-35K8	11645	87	11445	85	11638	87	12667	90	134
ORX-3-DPT-128L-350-40K8	12542	94	12327	92	12535	94	13642	97	134
ORX-3-DPT-128L-350-40K7	13552	101	13319	99	13544	101	14740	105	134
ORX-3-DPT-128L-350-50K8	12542	94	12327	92	12535	94	13642	97	134
ORX-3-DPT-128L-350-50K7	13552	101	13319	99	13544	101	14740	105	134
ORX-3-DPT-128L-530-27K7	17566	87	17264	85	17556	86	19107	90	203
ORX-3-DPT-128L-530-27K8	16448	81	16165	80	16438	81	17890	84	203
ORX-3-DPT-128L-530-30K8	17634	87	17332	85	17624	87	19181	90	203
ORX-3-DPT-128L-530-30K7	18992	94	18666	92	18981	94	20658	97	203
ORX-3-DPT-128L-530-35K8	17634	87	17332	85	17624	87	19181	90	203
ORX-3-DPT-128L-530-40K8	18992	94	18666	92	18981	94	20658	97	203
ORX-3-DPT-128L-530-40K7	20521	101	20169	99	20509	101	22321	105	203
ORX-3-DPT-128L-530-50K8	18992	94	18666	92	18981	94	20658	97	203
ORX-3-DPT-128L-530-50K7	20521	101	20169	99	20509	101	22321	105	203
ORX-3-DPT-128L-700-27K7	23200	87	22802	85	23187	87	25236	90	268
ORX-3-DPT-128L-700-27K8	21723	81	21350	80	21710	81	23629	84	268
ORX-3-DPT-128L-700-30K8	23291	87	22891	85	23277	87	25334	90	268
ORX-3-DPT-128L-700-30K7	25084	94	24653	92	25069	94	27285	97	268
ORX-3-DPT-128L-700-35K8	23291	87	22891	85	23277	87	25334	90	268
ORX-3-DPT-128L-700-40K8	25084	94	24653	92	25069	94	27285	97	268
ORX-3-DPT-128L-700-40K7	27103	101	26638	99	27087	101	29481	105	268
ORX-3-DPT-128L-700-50K8	25084	94	24653	92	25069	94	27285	97	268
ORX-3-DPT-128L-700-50K7	27103	101	26638	99	27087	101	29481	105	268
ORX-3-DPT-128L-1050-27K7	33143	87	32574	85	33124	87	36051	90	382
ORX-3-DPT-128L-1050-27K8	31033	81	30500	80	31015	81	33755	84	382
ORX-3-DPT-128L-1050-30K8	33272	87	32701	86	33253	87	36191	90	382
ORX-3-DPT-128L-1050-30K7	35835	94	35219	92	35813	94	38978	97	382
ORX-3-DPT-128L-1050-35K8	33272	87	32701	86	33253	87	36191	90	382
ORX-3-DPT-128L-1050-40K8	35835	94	35219	92	35813	94	38978	97	382
ORX-3-DPT-128L-1050-40K7	38719	101	38054	100	38696	101	42116	105	382
ORX-3-DPT-128L-1050-50K8	35835	94	35219	92	35813	94	38978	97	382
ORX-3-DPT-128L-1050-50K7	38719	101	38054	100	38696	101	42116	105	382
ORX-3-DPT-144L-350-27K7	13050	86	12826	85	13042	86	14195	90	151
ORX-3-DPT-144L-350-27K8	12219	81	12009	80	12212	81	13291	84	151
ORX-3-DPT-144L-350-30K8	13101	87	12876	85	13093	87	14250	90	151
ORX-3-DPT-144L-350-30K7	14110	93	13868	92	14101	93	15348	97	151
ORX-3-DPT-144L-350-35K8	13101	87	12876	85	13093	87	14250	90	151
ORX-3-DPT-144L-350-40K8	14110	93	13868	92	14101	93	15348	97	151
ORX-3-DPT-144L-350-40K7	15246	101	14984	99	15237	101	16583	105	151
ORX-3-DPT-144L-350-50K8	14110	93	13868	92	14101	93	15348	97	151
ORX-3-DPT-144L-350-50K7	15246	101	14984	99	15237	101	16583	105	151
ORX-3-DPT-144L-530-27K7	19762	87	19422	85	19750	87	21495	90	228
ORX-3-DPT-144L-530-27K8	18504	81	18186	80	18492	81	20127	84	228
ORX-3-DPT-144L-530-30K8	19839	87	19498	86	19827	87	21579	90	228
ORX-3-DPT-144L-530-30K7	21366	94	20999	92	21354	94	23241	97	228
ORX-3-DPT-144L-530-35K8	19839	87	19498	86	19827	87	21579	90	228
ORX-3-DPT-144L-530-40K8	21366	94	20999	92	21354	94	23241	97	228
ORX-3-DPT-144L-530-40K7	23086	101	22690	100	23072	101	25111	105	228
ORX-3-DPT-144L-530-50K8	21366	94	20999	92	21354	94	23241	97	228
ORX-3-DPT-144L-530-50K7	23086	101	22690	100	23072	101	25111	105	228
ORX-3-DPT-144L-700-27K7	26100	87	25652	85	26085	87	28390	90	301
ORX-3-DPT-144L-700-27K8	24439	81	24019	80	24424	81	26582	84	301
ORX-3-DPT-144L-700-30K8	26202	87	25752	86	26186	87	28500	90	301
ORX-3-DPT-144L-700-30K7	28220	94	27735	92	28203	94	30695	97	301
ORX-3-DPT-144L-700-35K8	26202	87	25752	86	26186	87	28500	90	301
ORX-3-DPT-144L-700-40K8	28220	94	27735	92	28203	94	30695	97	301
ORX-3-DPT-144L-700-40K7	30491	101	29968	100	30473	101	33166	105	301
ORX-3-DPT-144L-700-50K8	28220	94	27735	92	28203	94	30695	97	301
ORX-3-DPT-144L-700-50K7	30491	101	29968	100	30473	101	33166	105	301
ORX-3-DPT-144L-1A-27K7	37286	87	36646	85	37264	87	40557	90	430
ORX-3-DPT-144L-1A-27K8	34912	81	34313	80	34891	81	37975	84	430
ORX-3-DPT-144L-1A-30K8	37431	87	36789	86	37409	87	40715	90	430
ORX-3-DPT-144L-1A-30K7	40314	94	39622	92	40290	94	43850	97	430
ORX-3-DPT-144L-1A-35K8	37431	87	36789	86	37409	87	40715	90	430
ORX-3-DPT-144L-1A-40K8	40314	94	39622	92	40290	94	43850	97	430
ORX-3-DPT-144L-1A-40K7	43559	101	42811	100	43533	101	47380	105	430
ORX-3-DPT-144L-1A-50K8	40314	94	39622	92	40290	94	43850	97	430
ORX-3-DPT-144L-1A-50K7	43559	101	42811	100	43533	101	47380	105	430



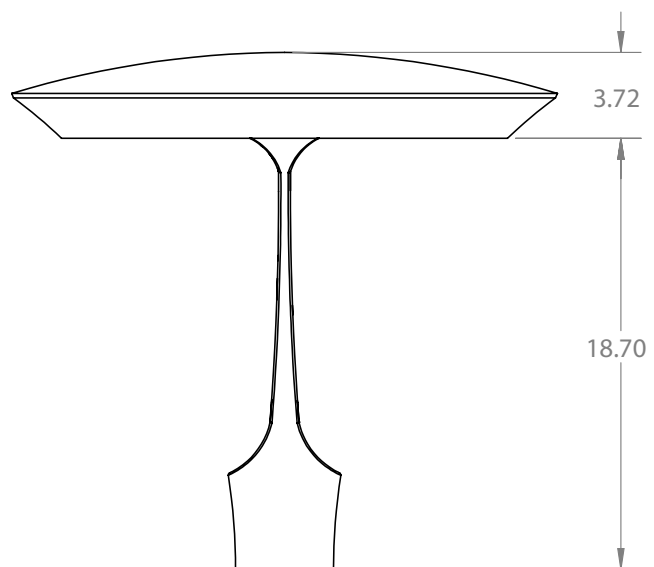
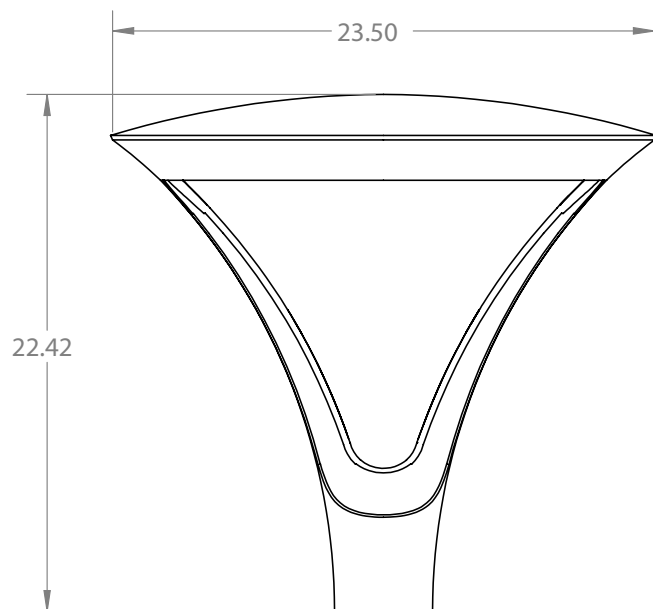
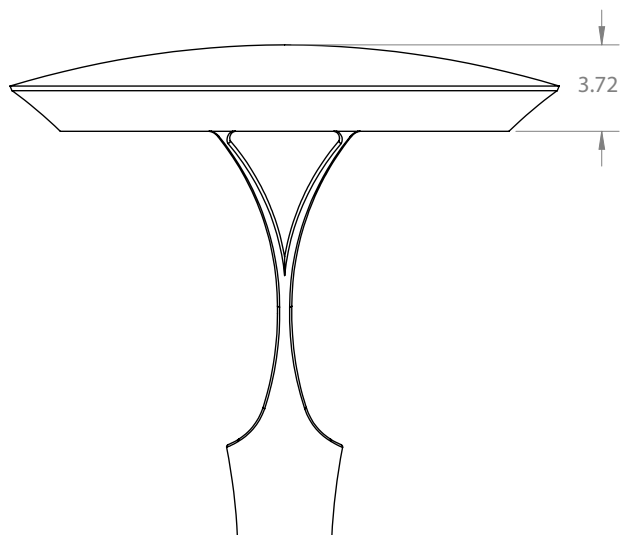
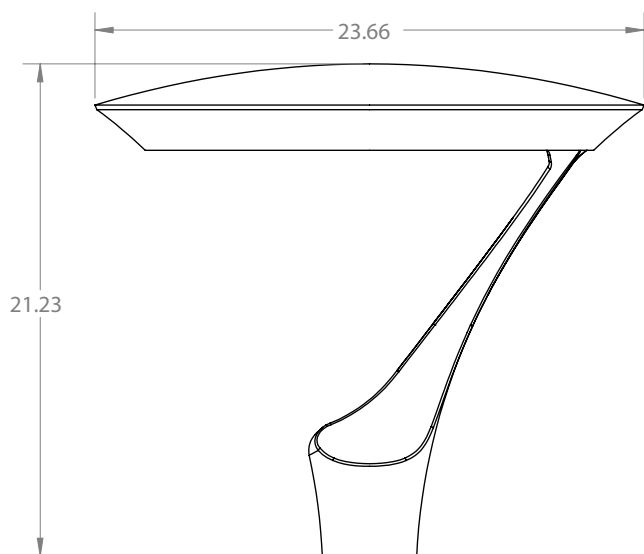
701 Kingshill Place, Carson, CA 90746
Call Us Today (310) 341-2037

nslighting.com

PRODUCT SPECIFICATIONS

MODEL	WIDTH	HEIGHT	WEIGHT
ORX-3-SPT	23.66"	21.23"	35 LBS
ORX-3-DPT	23.5"	22.42"	36 LBS

MODEL	EPA
ORX-3-SPT	0.33 ft*2
ORX-3-DPT	0.33 ft*2



SCAN FOR INSTALLATION INSTRUCTIONS

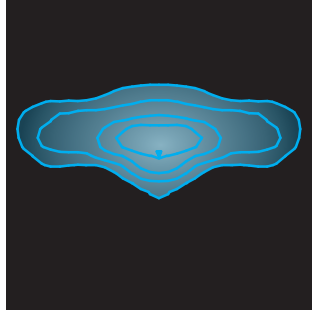
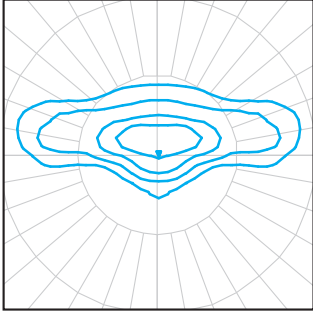


701 Kingshill Place, Carson, CA 90746
Call Us Today (310) 341-2037

nslighting.com

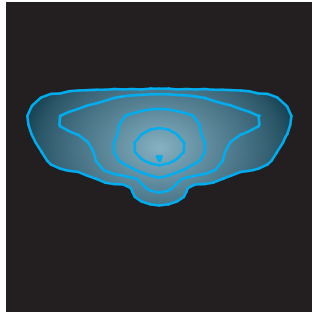
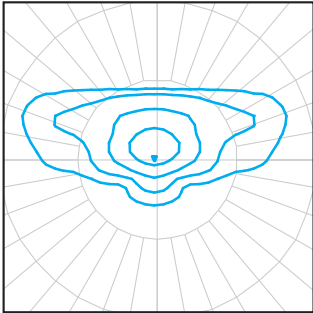
PRODUCT SPECIFICATIONS

IES DISTRIBUTIONS



T2 Optic

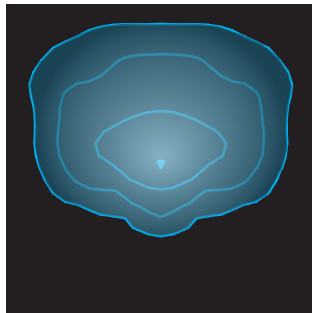
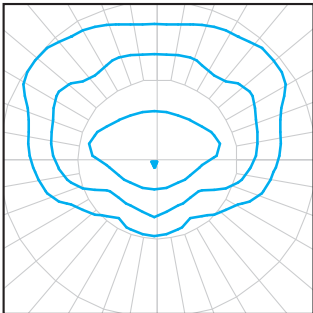
The Type II distribution is used for narrow pathways and trails, narrow entrances of shopping centers, parking lots and office complex's.



T3 Optic

The type III distribution is meant for roadway lighting, general parking areas and other areas where a larger area of lighting is required. Type III lighting needs to be placed to the side of the area, allowing the light to project outward and fill the area. This produces a filling light flow.

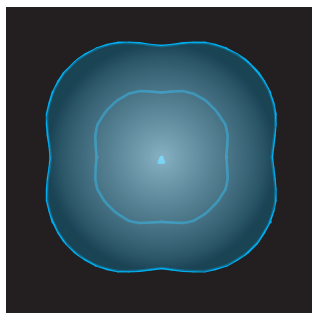
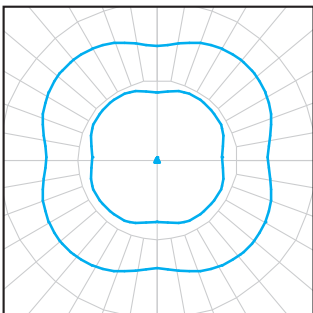
Type III light distributions have a preferred lateral width of 40 degrees. This distribution is intended for luminaires mounted at or near the side of medium width roadways or areas, where the width of the roadway or area does not exceed 2.75 times the mounting height.



T4 Optic

The type IV distribution produces a semicircular light meant for mounting on the sides of buildings and walls. It's best for illuminating the perimeter of parking areas and businesses. The intensity of the Type IV lighting has the same intensity at angles from 90 degrees to 270 degrees.

Type IV light distributions have a preferred lateral width of 60 degrees. This distribution is intended for side-of-road mounting and is generally used on wide roadways where the roadway width does not exceed 3.7 times the mounting height.



T5 Optic - Symmetrical

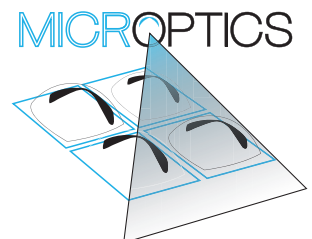
Type V produces a symmetrical distribution that has the same intensity at all angles. This distribution has a uniform symmetry of candlepower that is essentially the same at all lateral angles. It is meant for large, commercial parking lot lighting as well as areas where sufficient, evenly distributed light is necessary

SILICONE OPTICS

NLS Lighting Silicone Micro Optical System technology takes quality and performance to the highest level. Vandal resistant, superior clarity—Micro Optics have become the best and lasting solution in the industry.

BENEFITS

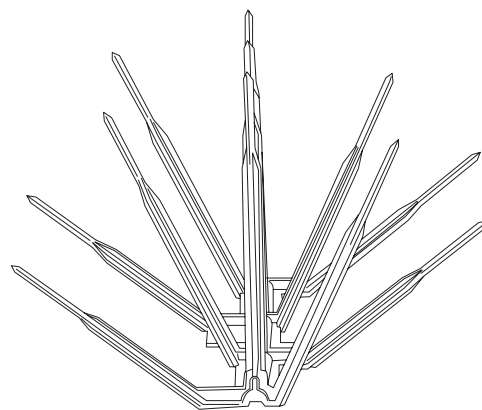
- Produces superior 96% clarity
- Heat resistant to 150° C, 50% higher than acrylic
- Ecologically friendly—no glare
- Vandal-resistant
- Does not brittle, crack, or yellow over time



PRODUCT SPECIFICATIONS

BIRD SPIKES (BS)

Bird Deterrent offers effective and humane deterrent for larger bird species and provides cost-effective long-term solution to nuisance bird infestations and protect your property.



MARINE GRADE FINISH (MGF)



Powder Coat Finish

3-5mil Powder Coat

Primer Layer

3-5mil Zinc Rich
Super Durable Polyester Primer

Prepared Casting

Chemically washed in multi Step 5 stage
cleaning process

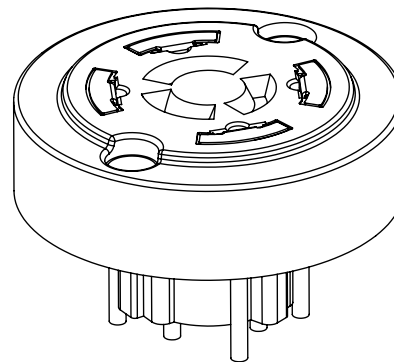
Marine Grade Finish (MGF)

The **(MGF)** is a multi step process. Chemically washed in a 5 stage cleaning system. Pre-baked. Powder coated 3-5 mils of Zinc Rich Super Durable Polyester Primer. Oven Baked.

Finished Powder Coating of Super Durable Polyester Powder Coat 3-5 mil thickness.

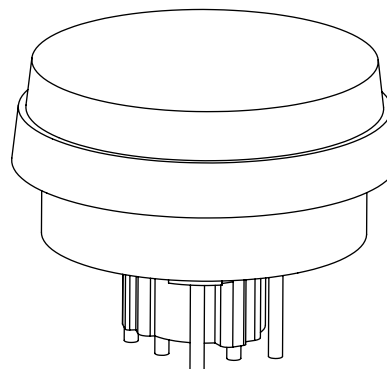
NEMA 7-PIN RECEPTACLE (PE7)

An ANSI C136.41-2013 receptacle provides electrical and mechanical interconnection between photo control cell and luminaire. Dimming receptacle available two or four dimming contacts supports 0-10 VDC dimming methods or Digital Addressable Lighting Interface (DALI), providing reliable power interconnect.

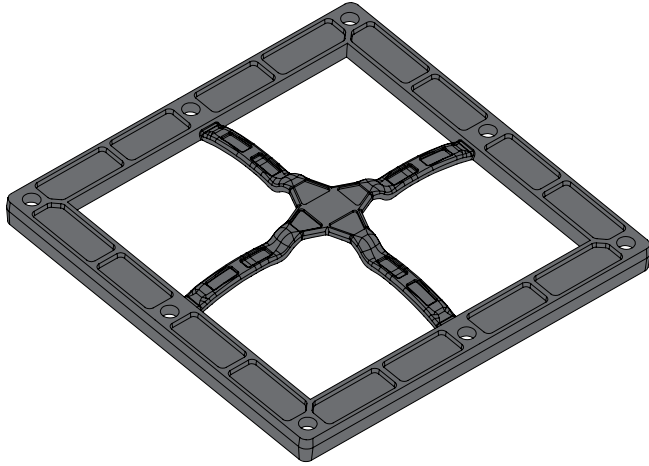


RECEPTACLE + SHORTING CAP (PER)

7-Pin Receptacle and Shorting Cap.



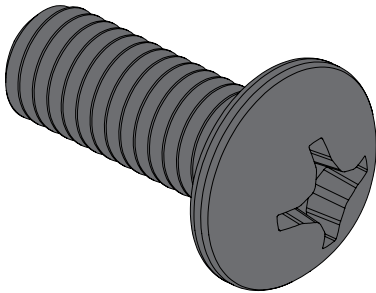
BLACK OPTIC FRAME



Black Optic Frame (BOF)

Optional Black Optic Frame.

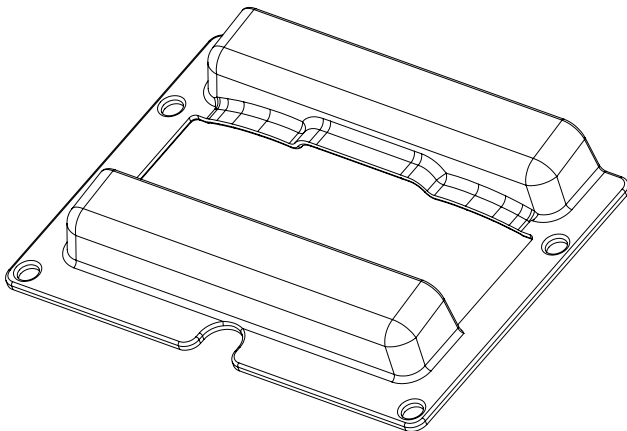
BLACK HARDWARE



Black Hardware (BH)

Black painted hardware.

HOUSE SIDE SHIELD (HSS)

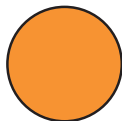


House Side Shield (HSS)

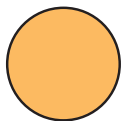
House Side Shield (**HSS**) is designed for stringent property line cutoff. Injection Molded Glass Filled Nylon, standard finish is black.

PRODUCT SPECIFICATIONS

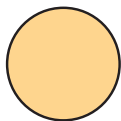
LED KELVIN RANGE



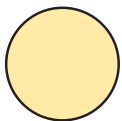
AMBER
585-600 nm



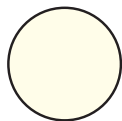
2700K 70 CRI



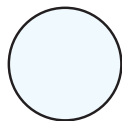
3000K 70 CRI



3500K 80 CRI



4000K 70 CRI



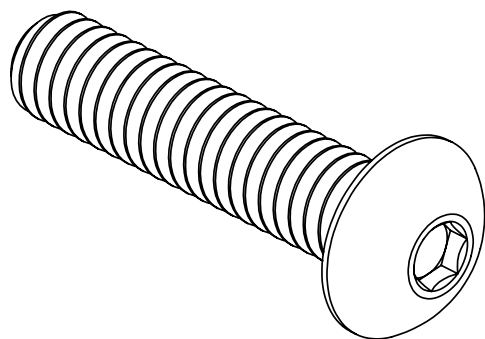
5000K 70 CRI

Color	Dominant or Peak Wavelength Range (nm)	
	Minimum	Maximum
Amber	585	600

Lumen Maintenance Data							
Ambient Temperature	Drive Current	L90 Hours*	L70 Hours**	30,000 Hours*	50,000 Hours*	60,000 Hours*	100,000 Hours**
25°C	Up to 700mA	58,000	173,000	95.7%	91.6%	89.6%	82.1%
	1050mA	48,000	143,000	94.3%	89.5%	87.2%	78.5%

*Reported extrapolations per IESNA TM-21 **Projected extrapolations per IESNA TM-21

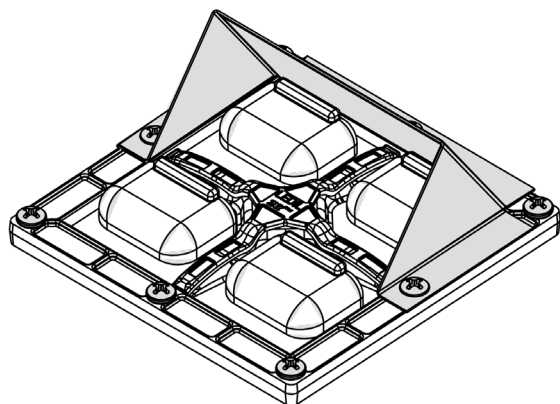
TAMPER PROOF HARDWARE



Tamper Proof Hardware (TPH)

316 Stainless Steel Button Head Hex Drive Screws. Provided to protect the optical assembly and the driver compartment for vandal resistance.

AUTOMOTIVE HOUSE SIDE SHIELD



Automotive House Side Shield (AHS)

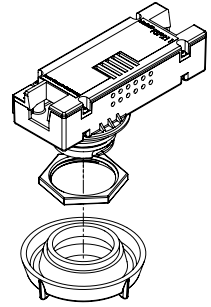
Automotive House Side Shield (AHS) is a single-sided shield allowing partial cut-off on either side or front of luminaire.

PRODUCT SPECIFICATIONS

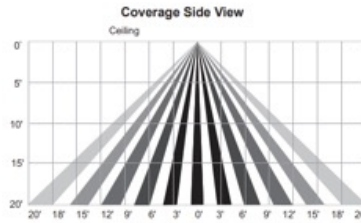
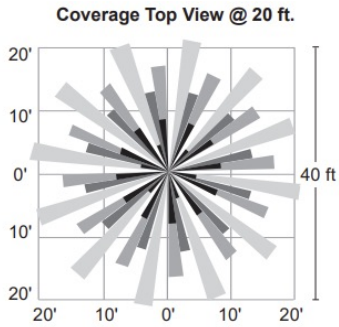
FSP-211 WITH MOTION SENSOR (FSP-XX)

- FSP-211 (FSP-X)—Passive infrared (PIR) sensor providing multi-level control based on motion/daylight contribution.
- All control parameters adjustable via wireless configuration remote storing and transmitting sensor profiles.
- FSP-20 mounting heights 9-20 feet
- FSP-40 mounting heights 21-40 feet.
- Includes 5 dimming event cycles, 0-10V dimming with motion sensing, re-programmable in the field.
- FSIR-100 commissioning remote is required to change sensor settings. Please contact factory for ordering.

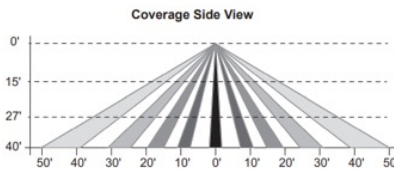
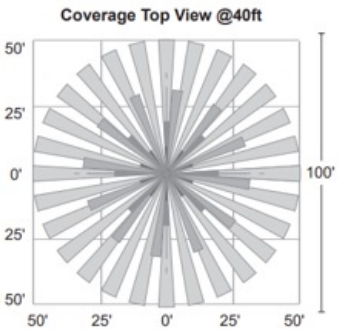
FSP-211



FSP-20



FSP-40



Sensor Specification

