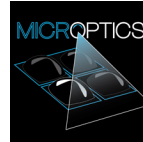


CAB Post Mount is a combination of security, style and Vandal resistance that blends into any pathway environment.

With 16 LED offering, this luminaire ranges from 18 to 56 watts at beautiful Types 2, 3, 4, and 5 light distribution. Its illuminating glow is produced by Silicone Micro Optics. Kelvin temperature offering of 2700K, 3000K, 3500K, 4000K and 5000K is available.

It is finished with 3-5 mils of rich-textured powder coat and stainless steel hardware. Conforms to the strictest Made in America standards—designed, tooled, fabricated and assembled in the USA.



MICRO OPTIC SYSTEM

Our new cell-enclosed, micro optic silicone modules produce high clarity and outstanding performance.

LED WATTAGE CHART

	16L
350 milliamps	18w
530 milliamps	28w
700 milliamps	36w
1050 milliamps	56w

Project Name	Type:
--------------	-------

--	--	--	--	--	--	--	--	--

Cat#	Light Dist.	# of LEDs	Milliamps	Kelvin	Volts	Mounting	Color	Options
Cab Post Top (CAB-PT)	Type 2 (T2)	16 (16L)	350 (35)	2700K, 70 CRI (27K7)	120-277 (UNV)	Post Top Over 4" OD (PT4)Ⓜ	Bronze Textured (BRZ)	Marine Grade Finish (MGF)
	Type 3 (T3)		530 (53)	2700K, 80 CRI (27K8)Ⓛ			White Textured (WHT)	House Side Shield (HSS)
	Type 4 (T4)		700 (7)	3000K, 70 CRI (30K7)			Smooth White Gloss (SWT)	
	Type 5 (T5)		1050 (1)	3000K, 80 CRI (30K8)Ⓛ			Silver (SVR)	
				3500K, 80 CRI (35K8)			Black Textured (BLK)	
				4000K, 70 CRI (40K7)			Smooth Black Gloss (SBK)	
				4000K, 80 CRI (40K8)Ⓛ			Graphite Textured (GPH)	
				5000K, 70 CRI (50K7)			Grey Textured (GRY)	
				5000K, 80 CRI (50K8)Ⓛ			Custom (CS)	

Notes:

- Ⓛ Consult Factory for Lead Time. Consult Factory for 90 CRI Requests.
- Ⓜ Consult factory for other provisions.

PRODUCT SPECIFICATIONS

ELECTRICAL

- 120-277 Volts (UNV) or 347-480 Volts (HV)
- 0-10V dimming driver
- Driver power factor at maximum load is $\geq .95$, THD maximum load is 15%
- LED Drivers Ambient Temp. Min is -40°C and Ambient Temp. Max ranges from 50°C to 55°C and, in some cases, even higher. Consult the factory for revalidation by providing the fixture catalog string before quoting and specifying it.
- All internal wiring UL certified for 600 VAC and 105°C
- CRI 70, 80 or 90
- Color temperatures: 2700K, 3000K, 3500K, 4000K, 5000K
- Surge Protection: 20KA supplied as standard.

CONSTRUCTION

- Cast Aluminum

OPTIONS

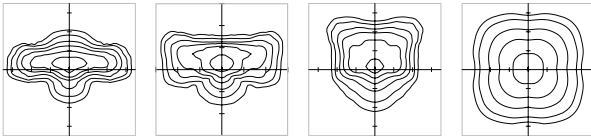
• MARINE GRADE FINISH (MGF) - A multi-step process creating protective finishing coat against harsh environments. Chemically washed in a 5 stage cleaning system. Pre-baked, Powder coated 3-5 mils of Zinc Rich Super Durable Polyester Primer. Oven Baked. Finished Powder Coating of Super Durable Polyester Powder Coat 3-5 mil thickness.

- House Side Shield (HSS)

OPTICS

Silicone optics high photo-thermal stability and light output provides higher powered LEDs with minimized lumen depreciation LED life. UV and thermal stability with scratch resistance increases exterior application durability.

- IES Types



TYPE II (T2)

TYPE III (T3)

TYPE IV (T4)

TYPE V (T5)

FINISH

- 3-5 mils electrostatic powder coat.
- NLS Light's standard high-quality finishes prevent corrosion protects against and extreme environmental conditions

WARRANTY

Five-year limited warranty for drivers and LEDs.

LISTINGS

- IK10 Rated



The information and specifications on this document are subject to change without any notification. All values are design, nominal, typical or prorated values when measured under internal and external laboratory conditions.



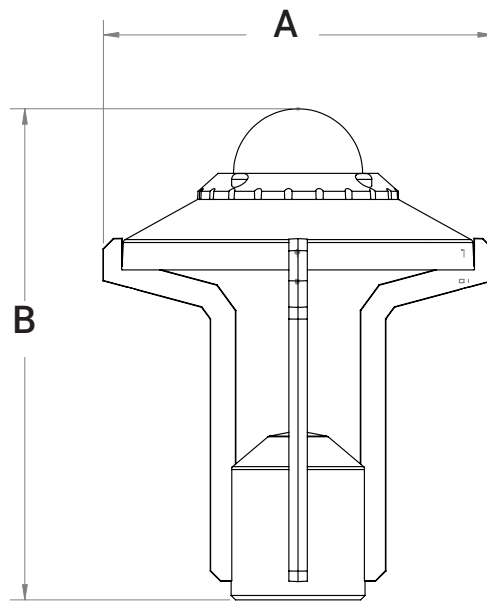
701 Kingshill Place, Carson, CA 90746
Call Us Today (310) 341-2037

nlsighting.com

PRODUCT SPECIFICATIONS

CAB-PT - LUMEN DATA CHART

PART NUMBER	T2 OPTIC	Lm/W	B.U.G.	T3 OPTIC	Lm/W	B.U.G.	T4 OPTIC	Lm/W	B.U.G.	T5 OPTIC	Lm/W	B.U.G.	WATTS
CAB-16L-35-30K7	1908	106	B1-U3-G1	1890	105	B1-U3-G1	1836	102	B1-U0-G1	1962	109	B2-U2-G1	18
CAB-16L-35-40K7	1980	110	B1-U3-G1	1962	109	B1-U3-G1	1908	106	B1-U0-G1	2052	114	B2-U2-G1	18
CAB-16L-35-50K7	2052	114	B1-U3-G1	2034	113	B1-U3-G1	1980	110	B1-U0-G1	2124	118	B2-U2-G1	18
CAB-16L-53-30K7	2968	106	B1-U3-G1	2940	105	B1-U3-G1	2856	102	B1-U0-G1	3052	109	B2-U3-G1	28
CAB-16L-53-40K7	3080	110	B1-U3-G1	3052	109	B1-U3-G1	2968	106	B1-U0-G1	3192	114	B2-U3-G1	28
CAB-16L-53-50K7	3192	114	B1-U3-G1	3164	113	B1-U3-G1	3080	110	B1-U0-G1	3304	118	B2-U3-G1	28
CAB-16L-7-30K7	3816	106	B1-U3-G1	3780	105	B1-U3-G1	3672	102	B1-U0-G1	3924	109	B3-U3-G1	36
CAB-16L-7-40K7	3960	110	B1-U3-G1	3924	109	B1-U3-G1	3816	106	B1-U0-G1	4104	114	B3-U3-G1	36
CAB-16L-7-50K7	4104	114	B1-U3-G1	4068	113	B1-U3-G1	3960	110	B1-U0-G1	4248	118	B3-U3-G1	36
CAB-16L-1-30K7	5936	106	B1-U3-G1	5880	105	B1-U3-G1	5712	102	B1-U0-G2	6104	109	B3-U3-G1	56
CAB-16L-1-40K7	6160	110	B1-U3-G1	6104	109	B2-U3-G2	5936	106	B1-U0-G2	6384	114	B3-U3-G1	56
CAB-16L-1-50K7	6384	114	B1-U3-G1	6328	113	B1-U3-G1	6160	110	B1-U0-G2	6608	118	B3-U3-G1	56



POST TOP (PT)
*Slips Over 4" OD

DIMENSION	CAB-PT
A	13.27"
B	16.73"
C	-