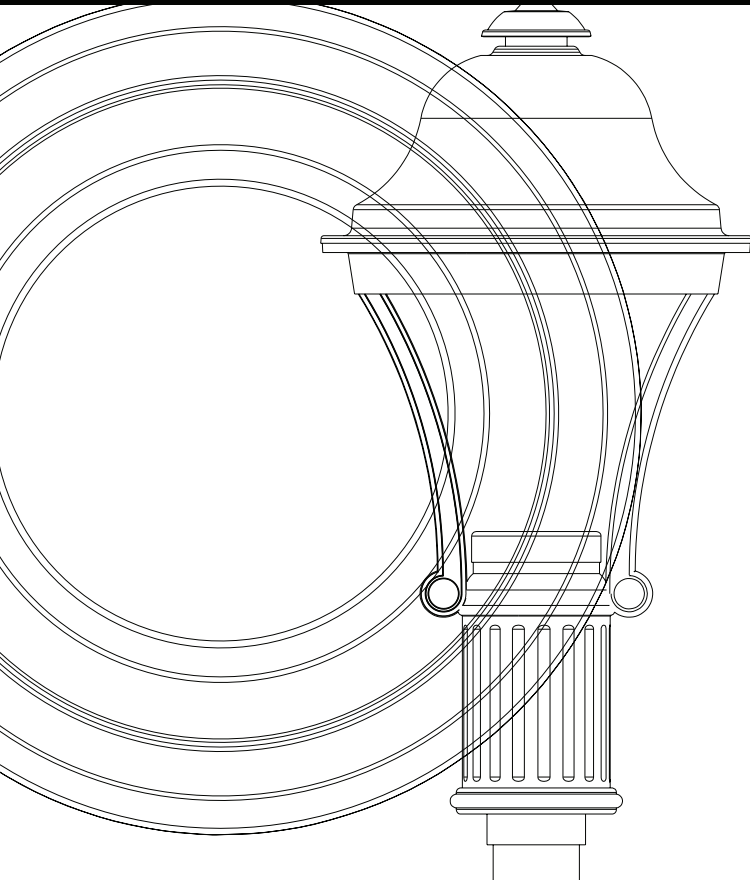


NLS
LIGHTING

ARCHITECTURAL



DEL MAR | LED



INTELLIGENT LIGHT + PERFORMANCE™
nslighting.com

DEL MAR LED



STAR POWER REFLECTOR



The Star Power Reflector is an excellent system, providing great value and performance.



PT3-Bar options with Flat Lens



INTELLIGENT

- Designed to replace existing fixtures, saving 75% energy while exceeding IES minimum foot candle levels
- Neighborhood friendly—full Cutoff Dark Sky luminaire design with recessed LEDs to eliminate direct glare
- Clear tempered safety glass lens with silicone gasket that improves fixture reliability
- Available from 18 to 102 watts and is scaleable to replace any wattage between 70-400 watt HID
- Throws light up to five mounting heights in all directions
- Patent-pending Star Power reflector system enables performance to exceed IES minimum foot candle levels and extend maintenance cycles
- Kelvin temperature offering of (warm) 3000, (neutral) 4000 and (cool) 5000 in Type 3 and 5 light distributions
- L70 is greater than 60,000 hours
- Ambient operating temperature is -40° C to 50° C
- Philips Advance driver technology warranted 5 years
- Conforms to the strictest Made in America standards—designed, tooled, fabricated and assembled in the USA

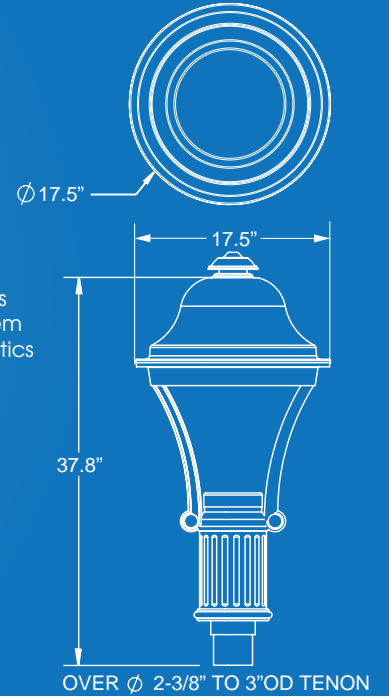
LIGHT



Housing: Spun Aluminum
Finish: 5 Millimeters Powder Coat

LED: Luxeon M Series by Lumileds
Optics: Star Power reflector system
Reflectors: Type 2, 3, 4 and 5 Optics
Watts: 18-102 Watts
Kelvin: 3000, 4000, or 5000

Tenon: Over 2-3/8" OD
through 3" OD



PHOTOMETRICS / APPLICATIONS

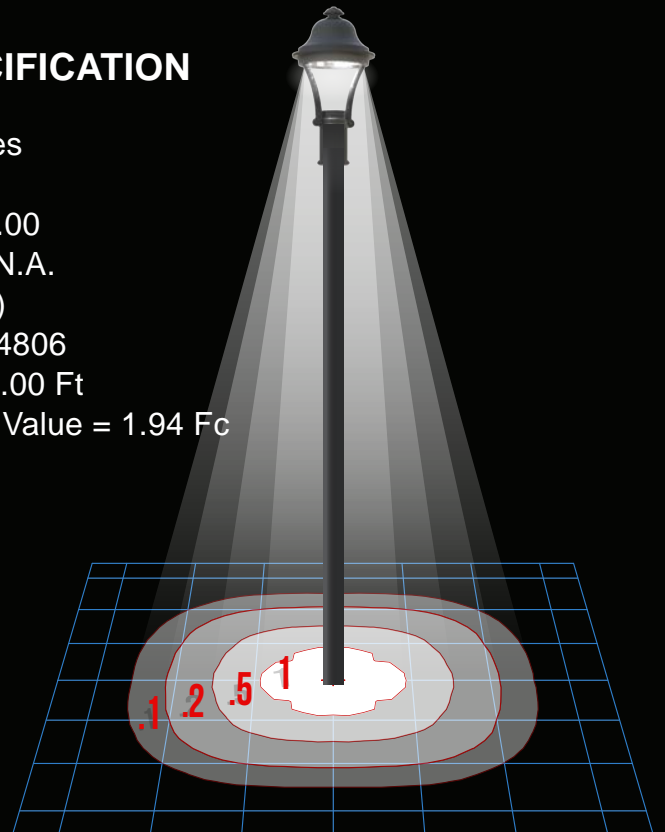
PHOTOMETRIC FILE NAME:
DMR-1-T5-SPR-32L-53-50K.IES

DESCRIPTIVE INFORMATION
(From Photometric File):
NLS LIGHTING LLC
DMR-1-T5-SPR-32L-530-55K
25 1/2"L. X 17 3/8" X 14"H.
LED LUMINAIRE
SEMI-SPECULAR REFLECTOR
WITH CLEAR LENS

+ PERFORMANCE

TEMPLATE SPECIFICATION

Horizontal Footcandles
Scale: 1 Inch = 20 Ft.
Light Loss Factor = 1.00
Lumens Per Lamp = N.A.
(absolute photometry)
Luminaire Lumens = 4806
Mounting Height = 16.00 Ft
Maximum Calculated Value = 1.94 Fc
Arrangement: Single





NLS Lighting, LLC | 701 Kingshill Place, Carson, CA 90746
Ph (310) 341.2037 | sales@nslighting.com

LUMEN DATA

LED WATTAGE CHART		
	350 mA	530 mA
16L	18w	28w
32L	33w	54w
48L	51w	80w
64L	66w	102w

EPA	
SINGLE	1.82

LUMEN OUTPUT FOR AVERAGE AMBIENT TEMPERATURE	
AMBIENT TEMPERATURE	LUMEN MULTIPLIER
0° C (32° F)	1.07
10° C (50° F)	1.04
20° C (68° F)	1.02
25° C (77° F)	1.00
30° C (86° F)	.98
40° C (104° F)	.96
50° C (122° F)	.93

DEL MAR - LUMEN DATA CHART									
PART NUMBER	T2 LUMENS	T2 LM/W	T3 LUMENS	T3 LM/W	T4 LUMENS	T4 LM/W	T5 LUMENS	T5 LM/W	Watts
DMR-1-16L-35-30K	1674	93	1584	88	1710	95	1656	92	18
DMR-1-16L-35-40K	1728	96	1638	91	1764	98	1746	97	18
DMR-1-16L-35-50K	1800	100	1728	96	1836	102	1818	101	18
DMR-1-16L-53-30K	2604	93	2464	88	2660	95	2576	92	28
DMR-1-16L-53-40K	2688	96	2548	91	2744	98	2716	97	28
DMR-1-16L-53-50K	2800	100	2688	96	2856	102	2828	101	28
DMR-1-32L-35-30K	3069	93	2904	88	3135	95	3036	92	33
DMR-1-32L-35-40K	3168	96	3003	91	3234	98	3201	97	33
DMR-1-32L-35-50K	3300	100	3168	96	3366	102	3333	101	33
DMR-1-32L-53-30K	4980	93	4752	88	5130	95	4968	92	54
DMR-1-32L-53-40K	5184	96	4914	91	5292	98	5238	97	54
DMR-1-32L-53-50K	5400	100	5184	96	5508	102	5454	101	54
DMR-1-48L-35-30K	4743	93	4488	88	4845	95	4692	92	51
DMR-1-48L-35-40K	4896	96	4641	91	4998	98	4947	97	51
DMR-1-48L-35-50K	5100	100	4896	96	5202	102	5151	101	51
DMR-1-48L-53-30K	7440	93	7040	88	7600	95	7360	92	80
DMR-1-48L-53-40K	7680	96	7280	91	7840	98	7760	97	80
DMR-1-48L-53-50K	8000	100	7680	96	8160	102	8080	101	80
DMR-1-64L-35-30K	6138	93	5808	88	6270	95	6072	92	66
DMR-1-64L-35-40K	6336	96	6006	91	6468	98	6402	97	66
DMR-1-64L-35-50K	6600	100	6336	96	6732	102	6666	101	66
DMR-1-64L-53-30K	9486	93	8976	88	9690	95	9384	92	102
DMR-1-64L-53-40K	9792	96	9282	91	9996	98	9894	97	102
DMR-1-64L-53-50K	10200	100	9792	96	10404	102	10302	101	102

ORDERING GUIDE

CAT #	TYPE	# OF LEDS	MILLIAMPS	KELVIN	VOLTS	MOUNTING	COLOR	OPTIONS
DEL MAR 1 (DMR-1)	TYPE 2 (T2)	16 (16L)	350 (35)	3000K (30K)	120-277 (UNV)	POST TOP OVER 2-3/8 OD (PT2)	BRONZE (BRZ)	BIRD SPIKES (BS)
	TYPE 3 (T3)	32 (32L)	530 (53)	4000K (40K)		POST TOP OVER 3 OD (PT3)	WHITE (WHT)	MARINE GRADE FINISH (MGF)
	TYPE 4 (T4)	48 (48L)		5000K (50K)			HUNTER GREEN (HGN)	PHOTOCELL (PC) <i>*Universal Voltage 120-277</i>
	TYPE 5 (T5)	64 (64L)					SILVER (SVR)	MOTION SENSOR (MS)
							BLACK (BLK)	SURGE PROTECTOR (10K)
						GRAPHITE (GPH)	HOUSE SIDE SHIELD (HSS)	
						GREY (GRY)	FRONT SIDE SHIELD (FSS)	
							CONVEX LENS (CVX)	

Visit nslighting.com for more products.