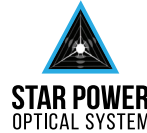


Flow is a full cutoff wall sconce available from 18 to 71 watts. This low profile sconce "flows" nicely with any architectural project to create a bold and sleek design. It is available with title 24 options to meet the stringent criteria for energy savings. Using the best and newest LED and electronic driver technology, the Flow is a popular choice for any project where both a sleek design and new technology are needed.

The Flow is cast aluminum with die formed aluminum parts, CNC machined and tooled for precision. The optical system is full cutoff anti-glare Star Power made of proprietary 95% miro reflective material.

The Flow comes standard with a 0-10v dimming driver with a power factor of >90. Recommended for replacing up to 250 watts of HID with savings of 70% or more with virtually zero maintence.



STAR POWER™ OPTICAL SYSTEM

The Star Power™ reflector is an excellent system which provides great value and performance.

LED WATTAGE CHART

	16L	32L
350 milliamps	18w	33w
530 milliamps	28w	54w
700 milliamps	36w	71w
1050 milliamps	56w	-

Project Name:

Type:

--	--	--	--	--	--	--	--

Cat#	Light Dist.	# of LEDs	Milliamps	Kelvin	Volts	Mounting	Color	Options
Flow-1 (FLW-1)	Type 4 (T4)	16L (16L)	350 (35)	2700K, 80 CRI (27K8) ^②	120-277 (UNV)	Wall Mount (WM)	Bronze Textured (BRZ)	Marine Grade Finish (MGF)
		32 (32L)	530 (53)	3000K, 70 CRI (30K7)			White Textured (WHT)	Polycarbonate Lens (PL)
		700 (7)	700 (7)	3000K, 80 CRI (30K8) ^②			Smooth White Gloss (SWT)	Photo Cell (PC) ^③
		1050 (1) ^①	1050 (1) ^①	3500K, 80 CRI (35K8) ^②			Silver (SVR)	Emergency Battery Back-Up 4w (EM4)
				4000K, 70 CRI (40K7)			Black Textured (BLK)	Emergency Battery Back-Up 8w (EM8)
				4000K, 80 CRI (40K8) ^②			Smooth Black Gloss (SBK)	Emergency Battery Back-Up 16w (EM16)
		5000K, 70 CRI (50K7)	Graphite Textured (GPH)	Emergency Battery Cold Pack 14w (EMCP)				
		5000K, 80 CRI (50K8) ^②	Grey Textured (GRY)	20KA Surge Protector (20K)				
						Custom (CS)		

Notes:

- ① 16L Only
- ② Consult Factory for Lead Time. Consult Factory for 90 CRI Requests.
- ③ Universal Voltage 120-277

PRODUCT SPECIFICATIONS

Housing: Cast Aluminum / CNC Die formed

LED: Luxeon MX Series by Lumileds

Optics: Star Power Optics

Watts: 18-71

Electrical: UL 1598 Listed 

Driver: 0-10V Dimmable driver by Philips Advance

Kelvin: 2700K, 3000K, 3500K, 4000K, or 5000K

CRI: 70, 80 or 90

Finish: 5 mils Powder Coat

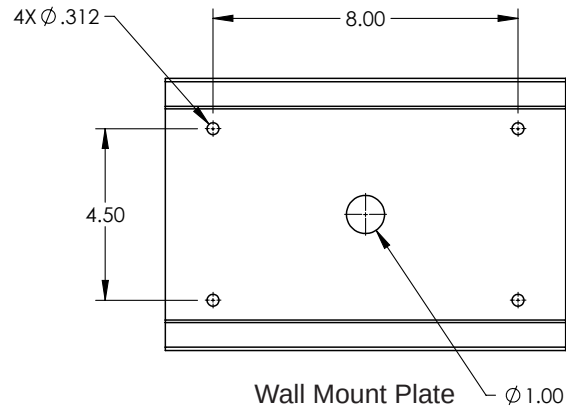
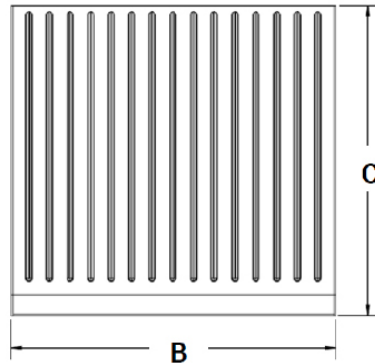
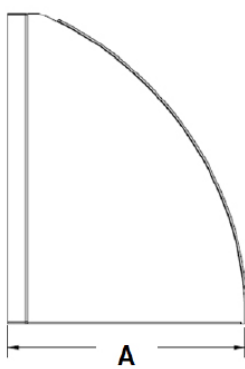
Hardware: Stainless Steel

Warranty: Standard Warranty is 5 years for Driver and LEDs

PRODUCT DIMENSIONS

FLOW - LUMEN DATA CHART

PART NUMBER	T4 Lumens	T4 LM/W	Watts
FLW-1-16L-35-30K7	1512	84	18
FLW-1-16L-35-40K7	1566	87	18
FLW-1-16L-35-50K7	1620	90	18
FLW-1-16L-53-30K7	2352	84	28
FLW-1-16L-53-40K7	2436	87	28
FLW-1-16L-53-50K7	2520	90	28
FLW-1-16L-7-30K7	3024	84	36
FLW-1-16L-7-40K7	3132	87	36
FLW-1-16L-7-50K7	3240	90	36
FLW-1-16L-1-30K7	4704	84	56
FLW-1-16L-1-40K7	4872	87	56
FLW-1-16L-1-50K7	5040	90	56
FLW-1-32L-35-30K7	2772	84	33
FLW-1-32L-35-40K7	2871	87	33
FLW-1-32L-35-50K7	2970	90	33
FLW-1-32L-53-30K7	4536	84	54
FLW-1-32L-53-40K7	4698	87	54
FLW-1-32L-53-50K7	4860	90	54
FLW-1-32L-7-30K7	5964	84	71
FLW-1-32L-7-40K7	6177	87	71
FLW-1-32L-7-50K7	6390	90	71



Luminaire	A	B	C
FLW-1	9 in	11 in	8 in

