

FORM AND FUNCTION

- Sleek, low profile housing
- Spec grade performance
- Engineered for optimum thermal management
- Low depreciation rate
- Reduces energy consumption and costs up to 65%
- Exceeds IES foot candle levels utilizing the least number of poles and fixtures per project
- Optical system designed for:
 - Parking Lots
 - Auto Dealerships
 - General Area Lighting

CONSTRUCTION

- Die Cast Aluminum
- External cooling fins, Finite Element Analysis (FEA) designed
- Corrosion resistant external hardware
- One-piece silicone gasket ensures IP-65 seal for electronics compartment
- One-piece Optics Plate™ mounting silicone Micro Optics
- Two-piece silicone Micro Optic system ensures IP-67 level seal around each PCB
- Grade 2 Clear Anodized Optics Plate™ standard

FINISH

- 3-5 mils electrostatic powder coat.
- NLS' standard high-quality finishes prevent corrosion protects against and extreme environmental conditions

WARRANTY

Five-year limited warranty for drivers and LEDs.



LISTINGS

- Certified to UL 1598
- UL 8750
- CSA C22.2 No. 250.0
- DesignLights Consortium® (DLC)
- DesignLights Consortium Premium® (DLCP)
- IP65/ IP67 Rated
- 3G Vibration Rated per ANSI C136.31-2010



LED WATTAGE CHART

	80L	96L	112L	128L
700 milliamps	168w	200w	243w	265w
1050 milliamps	263w	316w	366w	409w

Project Name:

Type:

Cat #	Light Dist.	No. of LEDs	Milliamps	Kelvin	Volts	Mounting	Color	Options
SHIP FLEX NV Size 2 (FLX-NV-2)	Type 2 (T2)	80 (80L)	1050 (1)	3000K (30K)	120-277 (UNV)	Architectural Sweep Arm (ASA)	Bronze (BRZ)	Nema 7-Pin Receptacle (PE7)
	Type 3 (T3)	96 (96L)		4000K (40K)	347-480 (HV)	Knuckle Mount (KM)		Photocell + Receptacle (PCR)
	Type 4 (T4)	112 (112L)		5000K (50K)		Trunnion Mount (TM)		Receptacle + Shorting Cap (PER)
	Type 5 (T5)	128 (128L)				*Standard finish is stainless steel.		FSP-211 with Motion Sensor (UNV Voltage) (FSP-20) *9'-20" Heights (FSP-40) *21'-40' Heights
						*For Round Pole, please specify RPA4 or RPA5		FSP211 Remote (FSIR)
							Round Pole Adaptor 3"- 4" Pole (RPA4)	
							Round Pole Adaptor 5"- 6" Pole (RPA5)	
							House Side Shield (HSS)	
							*HSS not applicable with N2 - NEMA 24° Optics	
							*HSS not applicable with N3 - NEMA 30° Optics	

ELECTRICAL

- 120-277 Volts (UNV) or 347-480 Volts (HV)
- 0-10V dimming driver by Philips Advance
- Driver power factor at maximum load is $\geq .95$, THD maximum load is 15%
- All internal wiring UL certified for 600 VAC and 105°C
- All drivers, controls, and sensors housed in enclosed IP-65 compartment
- Lumileds Luxeon MX LED's
- CRI >70
- Color temperatures: 3000K, 4000K, 5000K

OPTIONS

- **HOUSE SIDE SHIELD (HSS)**—Designed for full property line cutoff.
- **ROUND POLE ADAPTER (RPA)**— When using round poles, specify Round Pole Adapter (RPA). Specify RPA4 when installing on 3"-4" round poles, and RPA5 when installing on 5"-6" round poles.

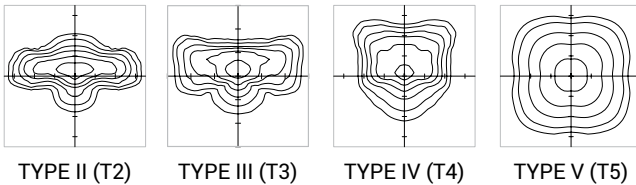
CONTROLS

- **FSP-211 (FSP-X)**—Passive infrared (PIR) sensor providing multi-level control based on motion/daylight contribution.
 - All control parameters adjustable via wireless configuration remote storing and transmitting sensor profiles.
 - FSP-20 mounting heights 9-20 feet
 - FSP-40 mounting heights 21-40 feet.
 - Includes 5 dimming event cycles, 0-10V dimming with motion sensing, reprogrammable in the field.
- **NEMA 7-PIN RECEPTACLE (PE7)**—An ANSI C136.41-2013 receptacle provides electrical and mechanical interconnection between photo control cell and luminaire. Dimming receptacle available two or four dimming contacts supports 0-10 VDC dimming methods or Digital Addressable Lighting Interface (DALI), providing reliable power interconnect.

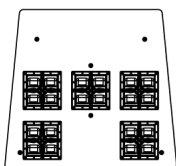
OPTICS

Silicone optics high photothermal stability and light output provides higher powered LEDs with minimized lumen depreciation LED life. UV and thermal stability with scratch resistance increases exterior application durability.

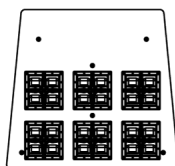
- IES Types



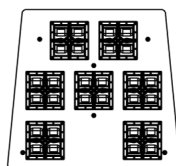
OPTICAL CONFIGURATIONS



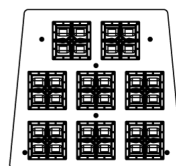
NV-2 / 80L



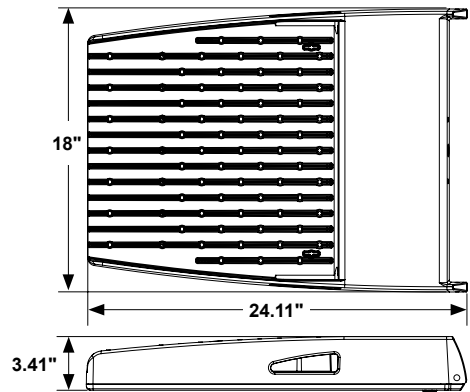
NV-2 / 96L



NV-2 / 112L

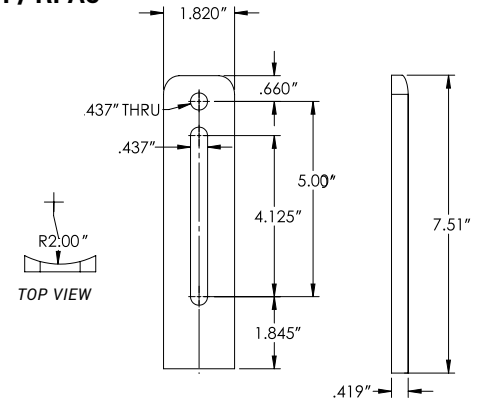


NV-2 / 128L

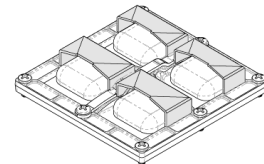


Weight: 42 lbs

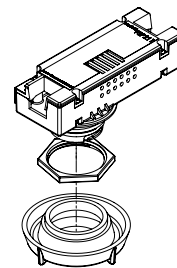
RPA4 / RPA5



HOUSE SIDE SHIELD



FSP-211



LUMENS

PART NUMBER	T2	LM/W	DLC	T3	LM/W	DLC	T3 HSS	LM/W	T4	LM/W	DLC	T4 AHS	LM/W	T4 HSS	LM/W	T5	LM/W	DLC	W
NV-2-80L-1-30K	28141	107	S	27352	104	S	15254	58	30245	115	S	18936	72	14991	57	29193	111	S	263
NV-2-80L-1-40K	30245	115	S	29456	112	S	16306	62	32086	122	S	19988	76	16043	61	31297	119	S	263
NV-2-80L-1-50K	31297	119	P	30508	116	S	17358	66	33664	128	P	21040	80	17095	65	33138	126	P	263
NV-2-96L-1-30K	33812	107	S	32864	104	S	18328	58	36340	115	S	22752	72	18012	57	35076	111	S	316
NV-2-96L-1-40K	36340	115	S	35392	112	S	19592	62	38552	122	S	24016	76	19276	61	37604	119	S	316
NV-2-96L-1-50K	37604	119	P	36656	116	S	20856	66	40448	128	P	25280	80	20540	65	39816	126	P	316
NV-2-112L-1-30K	39162	107	S	38064	104	S	21228	58	42090	115	S	26352	72	20862	57	40626	111	S	366
NV-2-112L-1-40K	42090	115	S	40992	112	S	22692	62	44652	122	S	27816	76	22326	61	43554	119	S	366
NV-2-112L-1-50K	43554	119	P	42456	116	S	24156	66	46848	128	P	29280	80	23790	65	46116	126	P	366
NV-2-128L-1-30K	43763	107	S	42536	104	S	23722	58	47035	115	S	29448	72	23313	57	45399	111	S	409
NV-2-128L-1-40K	47035	115	S	45808	112	S	25358	62	49898	122	S	31084	76	24949	61	48671	119	S	409
NV-2-128L-1-50K	48671	119	P	47445	116	S	26994	66	52352	128	P	33129	81	26585	65	51534	126	P	409

*DLC S= Standard  P= Premium 

BUG RATINGS

PART NUMBER	T2	T3	T3 HSS	T4	T4 HSS	T5
NV-2-80L-1-30K	B3-U0-G3	B3-U0-G4	B1-U0-G3	B3-U0-G4	B1-U0-G3	B5-U0-G3
NV-2-80L-1-40K	B3-U0-G3	B3-U0-G4	B1-U0-G3	B3-U0-G4	B1-U0-G3	B5-U0-G3
NV-2-80L-1-50K	B3-U0-G4	B3-U0-G4	B1-U0-G3	B3-U0-G4	B1-U0-G3	B5-U0-G4
NV-2-96L-1-30K	B3-U0-G4	B4-U0-G4	B1-U0-G3	B3-U0-G4	B1-U0-G3	B5-U0-G4
NV-2-96L-1-40K	B3-U0-G4	B4-U0-G4	B1-U0-G3	B3-U0-G4	B1-U0-G4	B5-U0-G4
NV-2-96L-1-50K	B3-U0-G4	B4-U0-G4	B1-U0-G4	B3-U0-G4	B1-U0-G4	B5-U0-G4
NV-2-112L-1-30K	B4-U0-G4	B4-U0-G4	B1-U0-G4	B4-U0-G5	B1-U0-G4	B5-U0-G4
NV-2-112L-1-40K	B4-U0-G4	B4-U0-G4	B1-U0-G4	B4-U0-G5	B1-U0-G4	B5-U0-G4
NV-2-112L-1-50K	B4-U0-G4	B4-U0-G4	B1-U0-G4	B4-U0-G5	B1-U0-G4	B5-U0-G4
NV-2-128L-1-30K	B4-U0-G4	B4-U0-G4	B1-U0-G4	B4-U0-G5	B1-U0-G4	B5-U0-G4
NV-2-128L-1-40K	B4-U0-G4	B4-U0-G4	B1-U0-G4	B4-U0-G5	B1-U0-G4	B5-U0-G4
NV-2-128L-1-50K	B4-U0-G4	B4-U0-G5	B1-U0-G4	B4-U0-G5	B1-U0-G4	B5-U0-G5

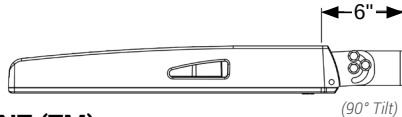
L70/L90 DATA

TEMP.	NV-2	
	L70 (128L-1050mA)	L90 (128L-1050mA)
25°C	483,000	160,000

EPA

EPA	SGL	D90	D180	T90	T120	QD
NV-2-DP	0.89	1.22	1.78	1.96	1.91	1.96
NV-2-KM	0.69	1.18	1.38	1.85	2.68	1.85
NV-2-ASA	0.98	1.96	1.75	2.66	2.62	2.66

MOUNTING OPTIONS



TRUNNION MOUNT (TM)

Steel, bolt-on-mounting for adjustable installation with a maximum uplift of 90 degrees.

*Unpainted stainless steel is standard

OPTIONAL

Optional Cast Aluminum Bracket, **Quick Mount Bracket (QMB)** and **Retrofit Quick Mount Bracket (RQMB)**, designed for quick mounting on Direct Square or Round Poles. Cleat mounts directly to pole for easily hung fixtures.

