



QUICKSHIPFLASH
THE MOST FLEXIBLE QUICK SHIP PROGRAM

FORM AND FUNCTION

- Sleek, die-cast low profile housing
- Spec grade performance
- Engineered for optimum thermal management
- Reduces energy consumption and costs up to 65%

RELIABILITY

- IP66 Rated
- Silicone Optics
- IK10 Rated Optics

The innovative NV Flood Series is a high-powered, corrosion resistant, low copper, die-cast aluminum luminaire.

Thermal management is handled with a separate driver housing and LED light engine heat-sink. Heat-sink cooling fins are designed with a thermal gap for longer LED/Driver life.

The NV-F2 comes in a single 16L configuration with 5 Kelvin color temperatures 2700K, 3000K, 3500K, 4000K and 5000K.

Silicone optical distribution patterns include 15° Very Narrow Beam, 30° Narrow Beam, 55° Medium Beam, 85° Wide beam, 7X5 NEMA T2 Distribution, 7X6 T3 NEMA Distribution, Forward Throw NEMA 6X6 T4, and a Symmetrical NEMA 7X7 T5.

Mounting options include 1/2" NPT Knuckle Mount or Trunnion Mount.

Applications include:

- Sign Lighting
- Building Facades
- Landscape
- Wall Washing
- Up Lighting
- Security Lighting
 - Residential
 - Commercial

IP66 Rated for any direction or angle of Flood Lighting.

- Parking
- Flag Pole
- Merchandising
- Billboard
- Indirect Lighting
- Display Pad
- Transportation



Project Name:

Type:

NV-F2 ORDERING GUIDE

Cat#	Optics	No. of LEDs	Watts	Kelvin Temp	Volts
SHIP FLEX NVF Double Module (FLX-NV-F2)	15° (15) Very Narrow	32 (32L)	60W (60W)	3000K (30K)	120-277 (UNV)
	30° (30) Narrow Beam		70W (70W)	4000K (40K)	
	55° (55) Medium Beam		80W (80W)	5000K (50K)	
	85° (85) Wide Beam				
	IES T2 / NEMA 7Hx5V (T2)				
IES T3 / NEMA 7Hx6V (T3)					
	Forward Throw (T4)				
	Symetrical (T5)				

Mounting

Color

Options

*Knuckle Mount
*1/2" NPT
(KM)

Trunnion Mount
(TM)

Bronze Textured
(BRZ)

Black Textured
(BLK)

Button Photocell
(PC)
* Universal Voltage
120-277

CONSTRUCTION

Precision Die cast-aluminum housing for durability and consistency
Stainless Steel corrosion resistant external hardware
One-piece silicone gasket ensures IP-65 seal for electronics compartment

OPTICS

Silicone optics high photothermal stability and light output provides higher powered LEDs with minimized lumen depreciation LED life. UV and thermal stability with scratch resistance increases exterior application durability.

Distribution patterns are designed to provide maximum light spread for short set backs when lighting signs and washing walls.

FINISH

3-5 mils electrostatic powder coat.
NLS' standard high-quality finishes prevent corrosion protects against and extreme environmental conditions

MOUNTING OPTIONS

KNUCKLE MOUNT (KM)—1/2" NPT for direct mount to many options.
TRUNNION MOUNT (TM)—Optional Stainless Steel Cord Seal

ADDITIONAL FEATURES

MARINE GRADE FINISH (MGF)—A multi-step process creating protective finishing coat against harsh environments.

- Chemically washed in a 5 stage cleaning system.
- Pre-baked
- Powder coated 3-5 mils of Zinc Rich Super Durable Polyester Primer.
- Oven Baked.
- Finished Powder Coating of Super Durable Polyester Powder Coat 3-5 mil thickness.

ELECTRICAL

120-277 Volts (UNV)
0-10V dimming driver by Philips Advance
Driver power factor at maximum load is $\geq .95$, THD maximum load is 15%
All internal wiring UL certified for 600 VAC and 105°C
All drivers, controls, and sensors housed in enclosed IP-65 compartment

LED

Lumileds Luxeon MX LED
CRI >70 MIN.
Color temperatures: 3000K, 4000K, 5000K
Lumileds Luxeon CZ LED

WARRANTY

Five-year standard warranty

LISTINGS

Certified to UL 1598
UL 8750
CSA C22.2 No. 250.0
IP66 Rated
IP67 Rated Optics
IK10 Rated



NV-F2 Product Specification

LED WATTAGE CHART

32L

600mA

60W

700mA

70W

800mA

80W

NV-F2

PART NUMBER	15°	LM/W	30°	LM/W	55°	LM/W	85°	LM/W	7X5	LM/W	7X6	LM/W	T4	LM/W	T5	LM/W	W
NV-F2-32L-60W-30K	7200	120	6720	112	6600	110	7500	125	7380	123	7440	124	7440	124	7320	122	60
NV-F2-32L-60W-40K	8040	134	7260	121	7260	121	7980	133	7800	130	7860	131	7920	132	7800	130	60
NV-F2-32L-60W-50K	8040	134	7620	127	7260	121	7980	133	7800	130	7860	131	7920	132	7800	130	60
NV-F2-32L-70W-30K	8400	120	7840	112	7700	110	8540	122	8400	120	8470	121	8470	121	8400	120	70
NV-F2-32L-70W-40K	9380	134	8470	121	8470	121	9100	130	8890	127	8960	128	9030	129	8890	127	70
NV-F2-32L-70W-50K	9380	134	8890	127	8470	121	9100	130	8890	127	8960	128	9030	129	8890	127	70
NV-F2-32L-80W-30K	9600	120	8960	112	8800	110	9280	116	9120	114	9200	115	9440	118	9360	117	80
NV-F2-32L-80W-40K	10720	134	9680	121	9680	121	10160	127	9920	124	10000	125	10080	126	9920	124	80
NV-F2-32L-80W-50K	10720	134	9680	121	9680	121	10160	127	9920	124	10000	125	10080	126	9920	124	80

NV-F2 With Glare Control 15° Optic

PART NUMBER	15° Snoot Long	Lm/W	15° Snoot Short	Lm/W	WATTS
NV-F2-32L-50W-30K	5300	106	5900	118	50
NV-F2-32L-50W-40K	5750	115	6350	127	50
NV-F2-32L-50W-50K	6000	120	6600	132	50
NV-F2-32L-60W-30K	6360	106	7080	118	60
NV-F2-32L-60W-40K	6900	115	7620	127	60
NV-F2-32L-60W-50K	7200	120	7920	132	60
NV-F2-32L-70W-30K	7420	106	8260	118	70
NV-F2-32L-70W-40K	8050	115	8890	127	70
NV-F2-32L-70W-50K	8400	120	9240	132	70
NV-F2-32L-80W-30K	8480	106	9440	118	80
NV-F2-32L-80W-40K	9200	115	10160	127	80
NV-F2-32L-80W-50K	9600	120	10560	132	80

NV-F2 With Glare Control 30° Optic

PART NUMBER	30° Egg Crate Louver	LM/W	30° Snoot Long	Lm/W	30° Snoot Short	LM/W	WATTS
NV-F2-32L-50W-30K	4350	87	4900	98	5650	113	20
NV-F2-32L-50W-40K	4700	94	5300	106	6100	122	20
NV-F2-32L-50W-50K	4950	99	5600	112	6400	128	20
NV-F2-32L-60W-30K	5220	87	5880	98	6780	113	25
NV-F2-32L-60W-40K	5640	94	6360	106	7320	122	25
NV-F2-32L-60W-50K	5940	99	6720	112	7680	128	25
NV-F2-32L-70W-30K	6090	87	6860	98	7910	113	35
NV-F2-32L-70W-40K	6580	94	7420	106	8540	122	35
NV-F2-32L-70W-50K	6930	99	7840	112	8960	128	35
NV-F2-32L-80W-30K	6960	87	7840	98	9040	113	45
NV-F2-32L-80W-40K	7520	94	8480	106	9760	122	45
NV-F2-32L-80W-50K	7920	99	8960	112	10240	128	45



701 Kingshill Place, Carson, CA 90746
Call Us Today (310) 341-2037



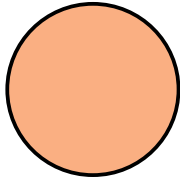
nslighting.com

TEMP.	NV-F2 L70/L90 DATA	
	L70 (16L - 800mA)	L90 (16L - 800mA)
25°C	481,000	160,000

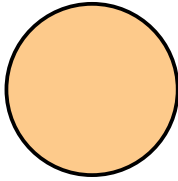
EPA	NV-F2
	.59

WEIGHT	NV-F2
	7.2 LBS

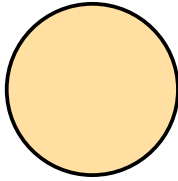
LED KELVIN CHART



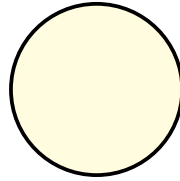
2700K



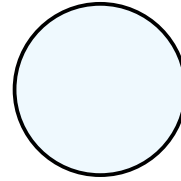
3000K



3500K



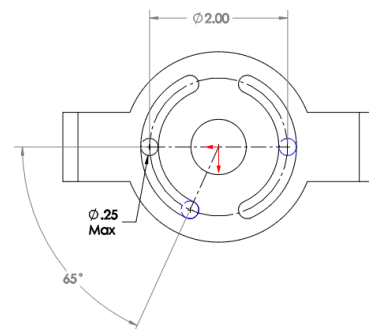
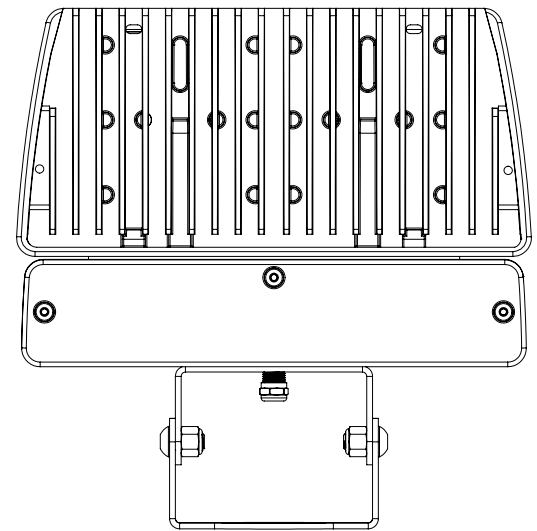
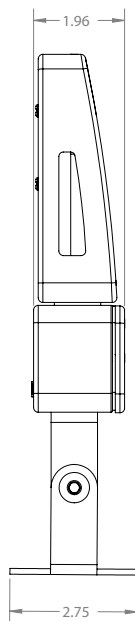
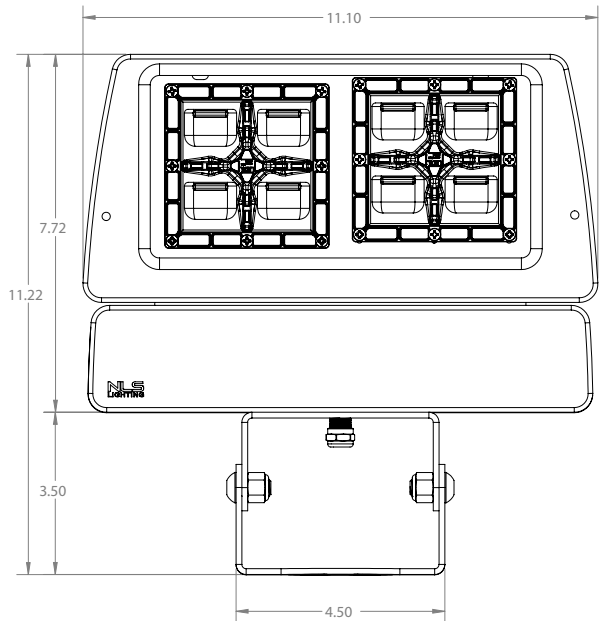
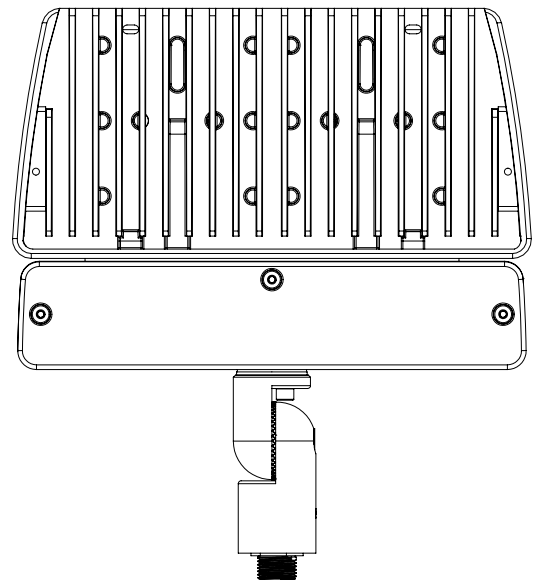
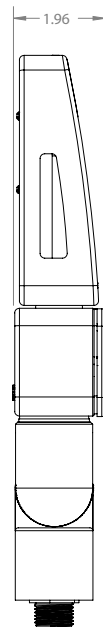
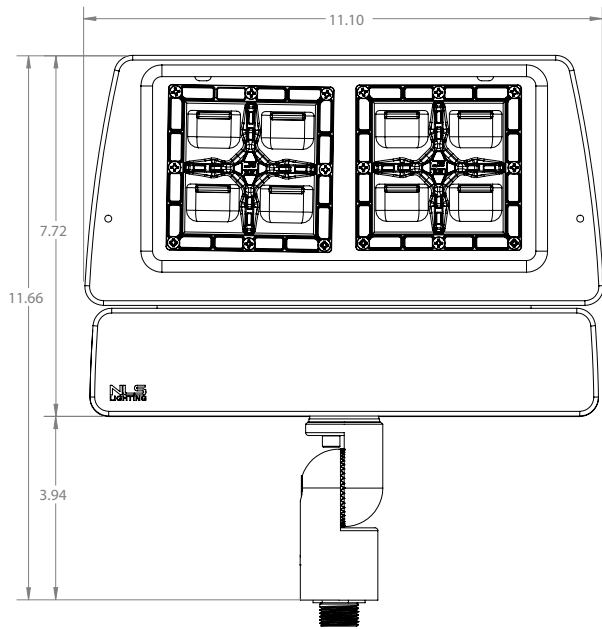
4000K

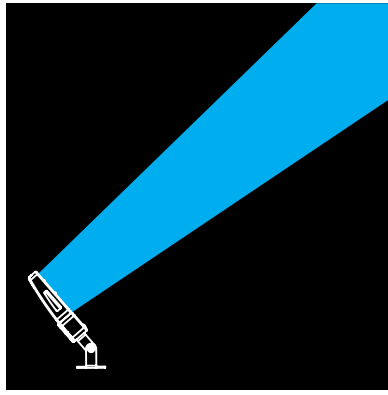
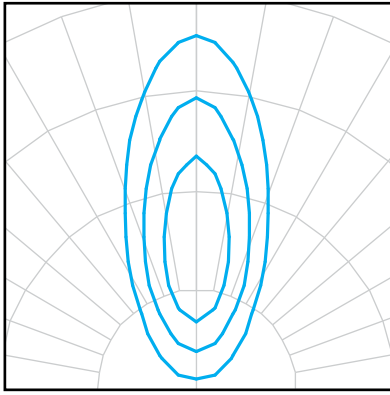


5000K

DIMENSION DRAWINGS

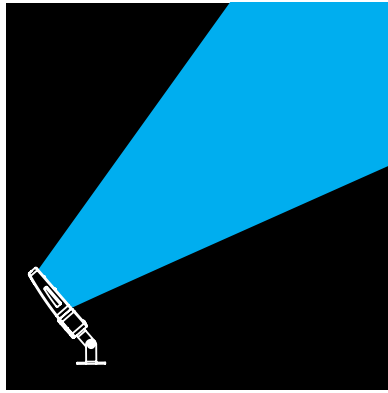
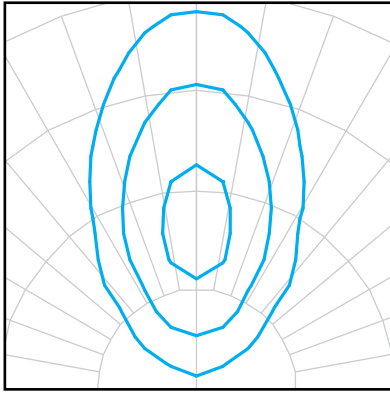
TRUNNION MOUNT





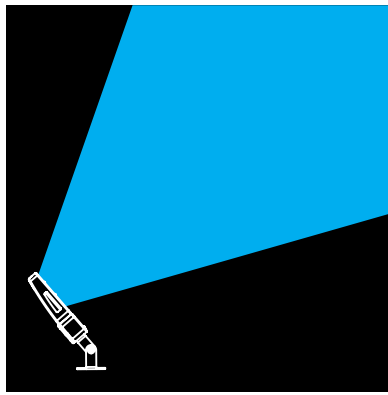
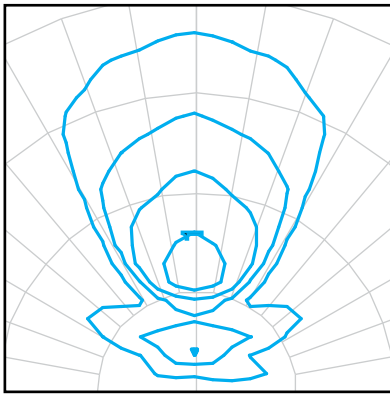
15° Very Narrow Beam Optic

The 15° Optic is used for very specific spot lighting. Spot Lighting a statue, a monument, or a piece of art. The NV Floods can be used indoors and outdoors. Pair the 15° Optic with the following Glare Control Options for more dramatic effect. Snoot Short (SNS), Snoot Long (SNL), or Egg Crate Louvers (ECL). These Glare Control Options help reduce glare and focus the viewing angles.



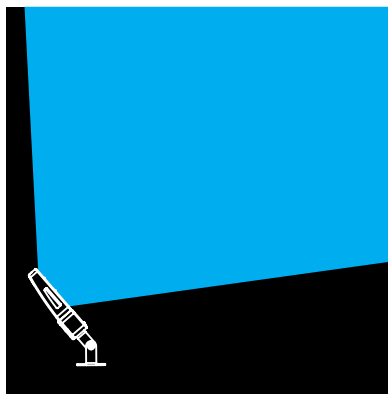
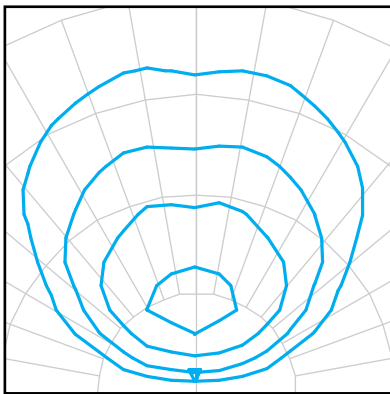
30° Narrow Beam Optic

The 30° Optic is used for larger objects and for spot and accent lighting. The 30° is perfect for Flag Lighting, Facade Lighting and great for showcasing Car Dealerships, display pads. Pair the 30° Optic with the following Glare Control Options for more dramatic effect. Snoot Short (SNS), Snoot Long (SNL), or Egg Crate Louvers (ECL). These Glare Control Options help reduce glare and focus the viewing angle.



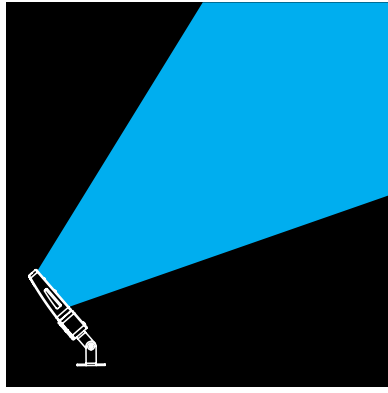
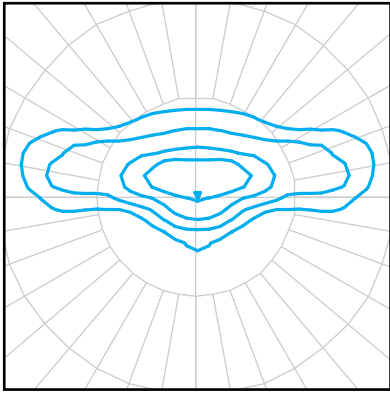
55° Medium Beam Optic

The 55° Optic is used for larger objects, flood lighting. The 55° is perfect for Facade Lighting, Landscape and general flood lighting. Pair the 55° Optic with the following Glare Control Options for more dramatic effect. Snoot Short (SNS), Angled Visor (AGV), These Glare Control Options help reduce glare and focus the beam angles.



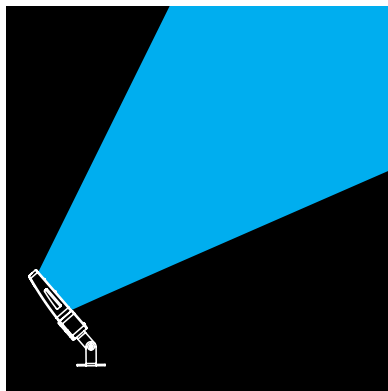
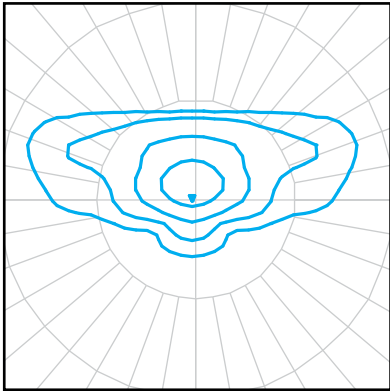
85° Wide Flood Optic

The 85° Optic is used for large area and accent lighting. The 85° is perfect for Security Lighting, general flood lighting and area lighting. Pair the 85° Optic with the following Glare Control Options for more dramatic effect. Snoot Small (SNS), Angled Visor (AGV), These Glare Control Options help reduce glare and shield unnecessary light.



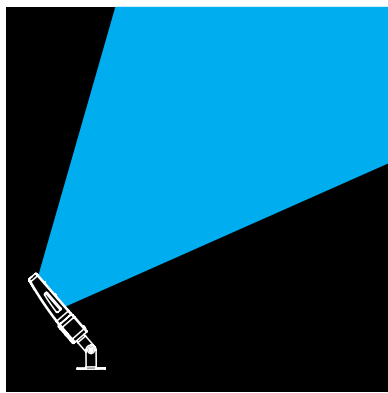
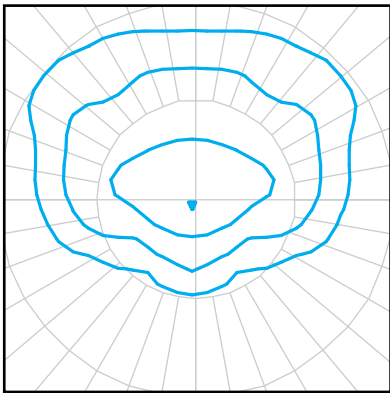
NEMA 7X5 T2 Flood Optic

The Type II (T2) distribution is used for narrow pathways and trails, narrow entrances of shopping centers, parking lots and office complex's.



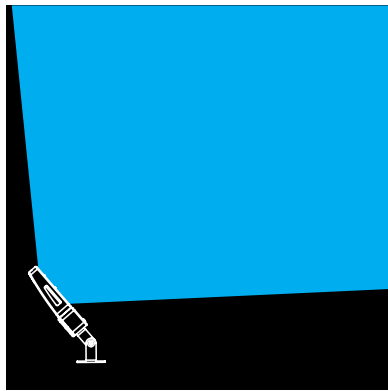
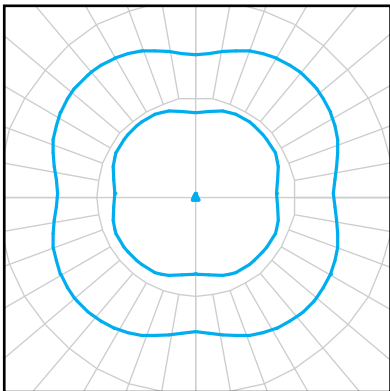
NEMA 7X6 T3 Flood Optic

The Type III (T3) distribution is meant for roadway lighting, general parking areas and other areas where a larger area of lighting is required. Type III lighting needs to be placed to the side of the area, allowing the light to project outward and fill the area. This produces a filling light flow.



NEMA 6X6 Forward Throw T4 Flood Optic

The Type IV (T4) distribution produces a semicircular light meant for mounting on the sides of buildings and walls. It is best for illuminating the perimeter of parking areas and businesses. The intensity of the Type IV lighting has the same intensity at angles from 90° to 270°.

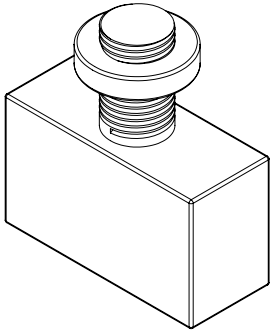


NEMA 7X7 Symmetrical T5 Flood Optic

The Type V (T5) produces a symmetrical distribution that has the same intensity at all angles. This distribution has a uniform symmetry of candlepower that is essentially the same at all lateral angles. It is meant for large, commercial parking lot lighting as well as areas where sufficient, evenly distributed light is necessary.

FIXTURE OPTIONS

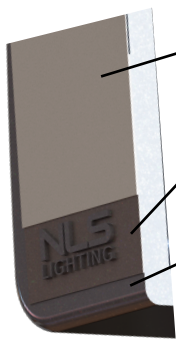
BUTTON PHOTOCELL



Button Type Photo Cell (PC)

Photo Cell for dusk to dawn operation.

MARINE GRADE FINISH



Powder Coat Finish

3-5mm Powder Coat

Primer Layer

3-5mm Zinc Rich
Super Durable Polyester Primer

Prepared Casting

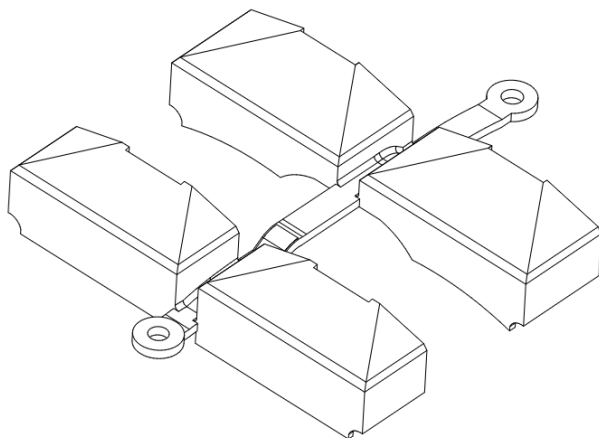
Chemically washed in multi Step 5 stage
cleaning process

Marine Grade Finish (MGF)

The **(MGF)** is a multi step process. Chemically washed in a 5 stage cleaning system. Pre-baked. Powder coated 3-5 mils of Zinc Rich Super Durable Polyester Primer. Oven Baked.

Finished Powder Coating of Super Durable Polyester Powder Coat 3-5 mil thickness.

HOUSE SIDE SHIELD (HSS)

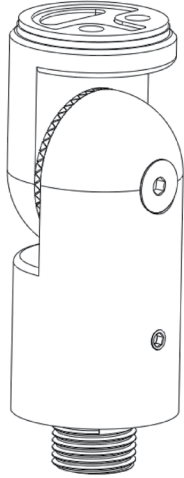


House Side Shield (HSS)

House Side Shield **(HSS)** is designed for stringent property line cut-off. Injection Molded Glass Filled Nylon, standard finish is black.

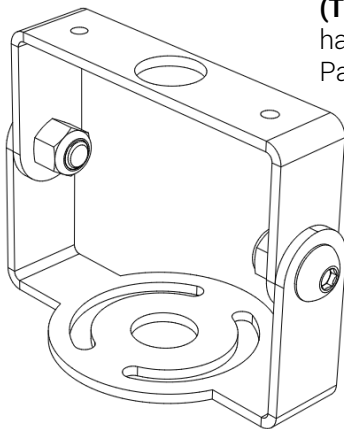
MOUNTING OPTIONS

KNUCKLE MOUNT 1/2" NPT (KM)



(KM) Knuckle Mount has a 1/2" NPT nipple.

TRUNNION MOUNT (TM)



(TM) Trunion Mount has a universal Mounting Pattern.