



NV-3-ASA

Key Features

- Ideal High Lumen Output for Area, Site, Roadway, and Large Parking Venues such as: Corporate Parks, Shopping Malls, Event & Sports Stadiums, Roadways, and Airports
- Sleek Robust Design of the NV-3 (Weight: 55 lbs., EPA: 0.73) Compliments the NV-1 and NV2, NV-3 with Sealed Glass Lens Also Available
- IES Distributions T2, T3, T4, and T5
- 160L, 192L, and 256L LED Configurations, 403 to 805 Watts
- 2700K, 3000K, 3500K, 4000K, 5000K CCT Multichip High Power 70 & 80 CRI LEDs
- IP66 Rated Against Dust & Water Ingress, IK10 Rated for Tamper/Vandalism/Impact Protection
- Mountings available have a 1.5G to 3G Vibration Rating: Architectural Sweep Arm, Direct Pole 6" and 11" Arm, Knuckle Mount, Wall Mount, Trunnion Mount, and Tennis Arm
- 20kA Surge Protection (120V - 480V), 0 - 10V Programmable, Dimming LED Drivers
- LED Drivers Ambient Temp. Min (°C) is -40°C and Ambient Temp. Max (°C) ranges from 50°C to 55°C
- Silicone Micro Optics providing 96% Clarity and Heat Resistant up to 150°C
- 9 Standard Finishes, Marine Grade Finish and Custom Finish Available
- Controls Agnostic, Compatible with Most Control Systems and Sensors
- Environmentally Friendly Product Which Reduces Energy Consumption, L70 > 100,000 hours
- Easy to Install Mounting
- Cost Competitive and Short Shipping Lead Times in Days & Weeks

BUY AMERICAN

To ensure the latest BAA/TAA Standards are being met, please select BAA in the options section, or contact the factory before placing an order and any NLS products requesting BAA, TAA or BABA



Project Name:

Type:

NV-3 ORDERING GUIDE

Cat#	Light Dist.	No. of LEDs	Milliamps	Kelvin
NV-3 (NV-3)	Type 2 (T2)	160 (160L)	850 (85) 900 (90) ⁷ 975 (97) ⁷ 1050 (1) ⁷ 1200 (12)	Amber 585-600nm (AMBER) ¹² ¹³
	Type 3 (T3)			2700K, 70 CRI (27K7) ⁶
	Type 4 (T4)			2700K, 80 CRI (27K8) ¹⁴ ⁶
	Type 5 (T5)	192 (192L)	900 (90) ⁷ ⁸ 975 (97) ⁷ 1050 (1) ⁷	3000K, 70 CRI (30K7) ⁶
		256 (256L)	800 (80) ⁷ 850 (85) ⁷ 900 (90) ⁷ 900 (90) ⁷ 975 (97) ⁷ 1050 (1) ⁷	3000K, 80 CRI (30K8) ¹⁴ ⁶ 3500K, 80 CRI (35K8) 4000K, 70 CRI (40K7) 4000K, 80 CRI (40K8) ¹⁴ 5000K, 70 CRI (50K7) 5000K, 80 CRI (50K8) ¹⁴

Volts	Mounting	Color	Controls	Options
120-277 (UNV)	Architectural Sweep Arm (ASA)	Bronze Textured (BRZ)	Nema 7-Pin Receptacle (PE7)	Bird Spikes (BS)
347-480 (HV)	Direct Pole 6" Arm Single, D180 (DPS6) ⁹	White Textured (WHT)	Photocell + Receptacle (PCR)	Marine Grade Finish (MGF)
	Direct Pole 11" Arm D90, T90, T120, Quad (DPS11) ⁹	Smooth White Gloss (SWT)	Receptacle + Shorting Cap (PER)	Optic Plate Painted to Match Fixture (OPP)
	Knuckle Mount (KM)	Silver (SVR)	FSP-211 with Motion Sensor (UNV Voltage) (FSP-20) ¹⁰	Round Pole Adapter 3"- 4" Pole (RPA4)
	Wall Mount (WM)	Black Textured (BLK)	*9"-20" Heights (FSP-40) ¹⁰	Round Pole Adapter 5"- 6" Pole (RPA5)
	Trunnion Mount (TM) ⁸	Smooth Black Gloss (SBK)	*21"-40" Heights	Rotated Optic Left (ROL)
	Tennis Arm Mount (TA)	Graphite Textured (GPH)		Rotated Optic Right (ROR)
		Grey Textured (GRY)		Automotive House Side Shield (AHS)
		Green (GRN)		House Side Shield (HSS)
		Custom (CS)		Black Hardware (BH) ¹¹
				Black Optic Frame (BOF) ¹¹
				Glass Lens (GL) ⁷ ⁸
				HAL Lens (HAL) ¹⁰
				Buy American (BAA) ¹⁵
				Trade American (TAA) ¹⁵
				Build America Buy American (BABA) ¹⁵
				Custom Controls Integration (CCI) ¹⁶

Notes:

- 1 Consult Factory for Lead Time. Consult Factory for 90 CRI Requests.
- 2 For Round Pole Specify RPA4 or RPA5
- 3 Standard finish is stainless steel. Can be painted to match fixture
- 4 Universal Voltage 120-277
- 5 3000K or lower, with fixed mounting options only, must be selected to meet International Dark-Sky Association certification.
- 6 Consult Factory for lead time
- 7 Glass lens (GL) only available with these mA's
- 8 Not available without Glass lens
- 9 Glass Lens: Low iron glass, fully tempered per ANSI C1047 (QCH-2201-37)
- 10 HAL Lens: Clear Soda-Lime-Silica Float Glass, Yellow (Spectrum Yellow Smooth 161S), Annealed, 1/8"
- 11 Please contact Factory for Custom Control Integration requests (nLight, NX, WaveLinx, Crestron, DMX/RDM, Synapse, Casambi, Dali II, or other control systems)
- 12 Turtle Safe
- 13 Consult factory for all BAA/TAA/BABA requests
- 14 Contact factory
- 15 Contact factory



701 Kingshill Place, Carson, CA 90746
Call Us Today (310) 341-2037

nslighting.com

PRODUCT SPECIFICATIONS

ELECTRICAL

- 120-277 Volts (UNV) or 347-480 Volts (HV)
- 0-10V dimming driver
- Driver power factor at maximum load is $\geq .95$, THD maximum load is 15%
- LED Drivers Ambient Temp. Min is -40°C and Ambient Temp. Max ranges from 50°C to 55°C and, in some cases, even higher. Consult the factory for revalidation by providing the fixture catalog string before quoting and specifying it.
- All internal wiring UL certified for 600 VAC and 105°C
- All drivers, controls, and sensors housed in enclosed IP66 compartment
- CRI 70, CRI 80
- Color temperatures: Amber, 2700K, 3000K, 3500K, 4000K, 5000K
- Surge Protection: 20kA supplied as standard.

CONSTRUCTION

- Die Cast Aluminum
- External cooling fins
- Corrosion resistant external hardware
- One-piece silicone gasket ensures IP66 seal for electronics compartment
- One-piece Optics Plate™ mounting silicone Micro Optics
- Two-piece silicone Micro Optic system ensures IP67 level seal around each PCB
- Grade 2 Clear Anodized Optics Plate™ standard

OPTICS

Silicone Micro Optics providing 96% Clarity and Heat Resistant up to 150°C. Silicone optics high thermal stability and light output provide higher powered LEDs with minimized lumen depreciation. UV stability with scratch resistance increases exterior application durability. Silicone optics do not yellow, crack or brittle over time.

CONTROL OPTIONS

- FSP-211 (FSP-X) - Passive infrared (PIR) sensor providing multi-level control based on motion/daylight contribution.
- All control parameters adjustable via wireless configuration remote storing and transmitting sensor profiles.
- FSP-20 mounting heights 9-20 feet
- FSP-40 mounting heights 21-40 feet.
- Includes 5 dimming event cycles, 0-10V dimming with motion sensing, re-programmable in the field. Programmable remote must be purchased separately.
- FSIR-100 commissioning remote is required to change sensor settings. Please contact factory for ordering.

- Controls Agnostic: Please contact factory for your preferred controls option. (nLight, NX, WaveLinX, Crestron, DMX/RDM, Synapse, Casambi, Dali II, or other control systems)

- NEMA 7-PIN RECEPTACLE (PE7) - An ANSI C136.41-2013 receptacle provides electrical and mechanical interconnection between photo control cell and luminaire. Dimming receptacle available two or four dimming contacts supports 0-10 VDC dimming methods or Digital Addressable Lighting Interface (DALI), providing reliable power interconnect.

- PHOTOCELL + RECEPTACLE (PCR) - 7-Pin Receptacle and Electronic Twist Lock Photocell for dusk to dawn operation.

- RECEPTACLE + SHORTING CAP (PER) - 7-Pin Receptacle and Shorting Cap.

- GLASS LENS (GL) - Low Iron Glass, fully tempered.

- HIGH PERFORMANCE AMBER LENS (HAL) -

OPTIONS

- BIRD SPIKES (BS) - Offer an effective and humane deterrent for larger bird species and provide a cost-effective long-term solution to nuisance bird infestations and to protect your property.

- MARINE GRADE FINISH (MGF) - A multi-step process creating a protective finishing coat against harsh environments. Chemically washed in a 5-stage cleaning system. Pre-baked, Powder coated 3-5 mils of Zinc Rich Super Durable Polyester Primer. Oven Baked. Finished Powder Coating of Super Durable Polyester Powder Coat 3-5 mil thickness.

- OPTIC PLATE PAINTED TO MATCH FIXTURE (OPP) - Optic plate is clear anodized as standard. The optic plate can be powder coated to match the finish of the fixture.

- ROUND POLE ADAPTER (RPA) - When using round poles, specify Round Pole Adapter (RPA). Specify RPA4 when installing on 3"-4" round poles, and RPA5 when installing on 5"-6" round poles.

- ROTATED OPTICS (ROL) (ROR) - Rotated optics are designed for perimeter lighting for auto dealerships.

- GLASS LENS (GL) - Glass Lens with larger optic housing.

- SHIELDS (HSS, AHS) - House Side Shield (HSS) is designed for full property line cutoff. Automotive House Side Shield (AHS) is a single-sided shield allowing partial cutoff on either side or front of luminaire.

- BLACK HARDWARE (BH) - Optional black, zinc coated steel hardware.

- BLACK OPTIC FRAME (BOF) - Black optic frame. Standard is white.

FINISH

- 3-5 mils electrostatic powder coat.
- NLS Lighting standard high-quality finishes prevent corrosion, and protects against extreme environmental conditions.

WARRANTY

Five-year limited warranty for drivers and LEDs.

LISTINGS

- Certified to UL 1598
- UL 8750
- CSA C22.2 No. 250.0
- DesignLights Consortium® (DLC) Pending
- DesignLights Consortium Premium® (DLCP) Pending
- IP66 Rated Fixture / IP67 Rated Optics
- IDA Dark Sky Approved
- 1.5G Vibration Rated - Knuckle Mount, Direct Pole Mount 11"
- 3G Vibration Rated - Trunnion Mount

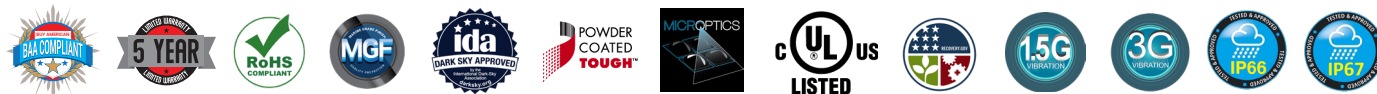
BUY AMERICAN OPTION

While all of the NLS Lighting products listed in this document qualify for the Buy America(n) Act of 1933, we reserve the right to change our listings without notice.

The information provided above is for general informational purposes only. We encourage you to consult legal professionals for advice particular to your projects concerning BAA, TAA, BABA or Buy America.

Additional NLS Products that meet BAA, TAA standards can be found at the following link:

[https://nlsighting.com/wp-content/uploads/cs/NLS_BuyAmerica\(n\).pdf](https://nlsighting.com/wp-content/uploads/cs/NLS_BuyAmerica(n).pdf)



The information and specifications on this document are subject to change without any notification. All values are design, nominal, or typical or prorated values when measured under internal and external laboratory conditions.



701 Kingshill Place, Carson, CA 90746
Call Us Today (310) 341-2037

nlsighting.com

160L Lumens									
Part Number	T2 Lumens	LM/W	T3 Lumens	LM/W	T4 Lumens	LM/W	T5 Lumens	LM/W	Watts
NV-3-160L-850-27K7	43725	104	44052	105	41806	100	44911	107	420
NV-3-160L-850-27K8	40941	97	41247	98	39144	93	42052	100	420
NV-3-160L-850-30K8	43895	105	44223	105	41969	100	45086	107	420
NV-3-160L-850-30K7	47275	113	47629	113	45201	108	48558	116	420
NV-3-160L-850-35K8	43895	105	44223	105	41969	100	45086	107	420
NV-3-160L-850-40K8	47275	113	47629	113	45201	108	48558	116	420
NV-3-160L-850-40K7	51081	122	51463	123	48839	116	52467	125	420
NV-3-160L-850-50K8	47275	113	47629	113	45201	108	48558	116	420
NV-3-160L-850-50K7	51081	122	51463	123	48839	116	52467	125	420
NV-3-160L-900-27K7	46297	104	46643	105	44265	99	47553	107	445
NV-3-160L-900-27K8	43349	97	43674	98	41447	93	44525	100	445
NV-3-160L-900-30K8	46477	104	46825	105	44437	100	47738	107	445
NV-3-160L-900-30K7	50056	112	50431	113	47859	108	51414	116	445
NV-3-160L-900-35K8	46477	104	46825	105	44437	100	47738	107	445
NV-3-160L-900-40K8	50056	112	50431	113	47859	108	51414	116	445
NV-3-160L-900-40K7	54086	122	54490	122	51712	116	55553	125	445
NV-3-160L-900-50K8	50056	112	50431	113	47859	108	51414	116	445
NV-3-160L-900-50K7	54086	122	54490	122	51712	116	55553	125	445
NV-3-160L-975-27K7	50155	105	50530	105	47954	100	51516	108	479
NV-3-160L-975-27K8	46962	98	47313	99	44901	94	48236	101	479
NV-3-160L-975-30K8	50350	105	50727	106	48141	101	51716	108	479
NV-3-160L-975-30K7	54228	113	54633	114	51848	108	55699	116	479
NV-3-160L-975-35K8	50350	105	50727	106	48141	101	51716	108	479
NV-3-160L-975-40K8	54228	113	54633	114	51848	108	55699	116	479
NV-3-160L-975-40K7	58593	122	59031	123	56021	117	60182	126	479
NV-3-160L-975-50K8	54228	113	54633	114	51848	108	55699	116	479
NV-3-160L-975-50K7	58593	122	59031	123	56021	117	60182	126	479
NV-3-160L-1050-27K7	54013	104	54417	105	51643	100	55479	107	518
NV-3-160L-1050-27K8	50574	98	50952	98	48355	93	51946	100	518
NV-3-160L-1050-30K8	54224	105	54629	105	51844	100	55695	108	518
NV-3-160L-1050-30K7	58399	113	58836	114	55836	108	59983	116	518
NV-3-160L-1050-35K8	54224	105	54629	105	51844	100	55695	108	518
NV-3-160L-1050-40K8	58399	113	58836	114	55836	108	59983	116	518
NV-3-160L-1050-40K7	63100	122	63572	123	60331	116	64812	125	518
NV-3-160L-1050-50K8	58399	113	58836	114	55836	108	59983	116	518
NV-3-160L-1050-50K7	63100	122	63572	123	60331	116	64812	125	518
NV-3-160L-1200-27K7	61730	104	62191	105	59020	100	63404	107	592
NV-3-160L-1200-27K8	57799	98	58231	98	55262	93	59367	100	592
NV-3-160L-1200-30K8	61970	105	62433	105	59250	100	63651	108	592
NV-3-160L-1200-30K7	66742	113	67241	114	63813	108	68552	116	592
NV-3-160L-1200-35K8	61970	105	62433	105	59250	100	63651	108	592
NV-3-160L-1200-40K8	66742	113	67241	114	63813	108	68552	116	592
NV-3-160L-1200-40K7	72114	122	72654	123	68949	116	74071	125	592
NV-3-160L-1200-50K8	66742	113	67241	114	63813	108	68552	116	592
NV-3-160L-1200-50K7	72114	122	72654	123	68949	116	74071	125	592

3000K or lower, with fixed mounting options only, must be selected to meet International Dark-Sky Association certification.



701 Kingshill Place, Carson, CA 90746
Call Us Today (310) 341-2037

nslighting.com

192L Lumens									
Part Number	T2 Lumens	LM/W	T3 Lumens	LM/W	T4 Lumens	LM/W	T5 Lumens	LM/W	Watts
NV-3-192L-975-27K7	60186	99	60636	100	57545	95	61819	102	608
NV-3-192L-975-27K8	56354	93	56776	93	53881	89	57883	95	608
NV-3-192L-975-30K8	60420	99	60872	100	57769	95	62060	102	608
NV-3-192L-975-30K7	65073	107	65560	108	62217	102	66839	110	608
NV-3-192L-975-35K8	60420	99	60872	100	57769	95	62060	102	608
NV-3-192L-975-40K8	65073	107	65560	108	62217	102	66839	110	608
NV-3-192L-975-40K7	70311	116	70837	117	67226	111	72219	119	608
NV-3-192L-975-50K8	65073	107	65560	108	62217	102	66839	110	608
NV-3-192L-975-50K7	70311	116	70837	117	67226	111	72219	119	608
NV-3-192L-1050-27K7	64816	99	65301	100	61971	95	66574	102	655
NV-3-192L-1050-27K8	60689	93	61143	93	58026	89	62336	95	655
NV-3-192L-1050-30K8	65068	99	65555	100	62212	95	66833	102	655
NV-3-192L-1050-30K7	70079	107	70603	108	67003	102	71980	110	655
NV-3-192L-1050-35K8	65068	99	65555	100	62212	95	66833	102	655
NV-3-192L-1050-40K8	70079	107	70603	108	67003	102	71980	110	655
NV-3-192L-1050-40K7	75720	116	76286	116	72397	111	77774	119	655
NV-3-192L-1050-50K8	70079	107	70603	108	67003	102	71980	110	655
NV-3-192L-1050-50K7	75720	116	76286	116	72397	111	77774	119	655

3000K or lower, with fixed mounting options only, must be selected to meet International Dark-Sky Association certification.

256L Lumens									
Part Number	T2 Lumens	LM/W	T3 Lumens	LM/W	T4 Lumens	LM/W	T5 Lumens	LM/W	Watts
NV-3-256L-800-27K7	65845	110	66337	111	62955	106	67631	113	596
NV-3-256L-800-27K8	61652	103	62113	104	58947	99	63325	106	596
NV-3-256L-800-30K8	66101	111	66595	112	63200	106	67894	114	596
NV-3-256L-800-30K7	71191	119	71724	120	68067	114	73123	123	596
NV-3-256L-800-35K8	66101	111	66595	112	63200	106	67894	114	596
NV-3-256L-800-40K8	71191	119	71724	120	68067	114	73123	123	596
NV-3-256L-800-40K7	76922	129	77497	130	73546	123	79009	133	596
NV-3-256L-800-50K8	71191	119	71724	120	68067	114	73123	123	596
NV-3-256L-800-50K7	76922	129	77497	130	73546	123	79009	133	596
NV-3-256L-850-27K7	69960	111	70483	111	66890	106	71858	114	633
NV-3-256L-850-27K8	65506	103	65996	104	62631	99	67283	106	633
NV-3-256L-850-30K8	70232	111	70758	112	67150	106	72138	114	633
NV-3-256L-850-30K7	75641	119	76206	120	72321	114	77693	123	633
NV-3-256L-850-35K8	70232	111	70758	112	67150	106	72138	114	633
NV-3-256L-850-40K8	75641	119	76206	120	72321	114	77693	123	633
NV-3-256L-850-40K7	81730	129	82341	130	78143	123	83947	133	633
NV-3-256L-850-50K8	75641	119	76206	120	72321	114	77693	123	633
NV-3-256L-850-50K7	81730	129	82341	130	78143	123	83947	133	633
NV-3-256L-900-27K7	74075	110	74629	111	70824	106	76085	113	671
NV-3-256L-900-27K8	69359	103	69878	104	66315	99	71241	106	671
NV-3-256L-900-30K8	74364	111	74920	112	71100	106	76381	114	671
NV-3-256L-900-30K7	80090	119	80689	120	76575	114	82263	123	671
NV-3-256L-900-35K8	74364	111	74920	112	71100	106	76381	114	671
NV-3-256L-900-40K8	80090	119	80689	120	76575	114	82263	123	671
NV-3-256L-900-40K7	86537	129	87184	130	82739	123	88885	132	671
NV-3-256L-900-50K8	80090	119	80689	120	76575	114	82263	123	671
NV-3-256L-900-50K7	86537	129	87184	130	82739	123	88885	132	671
NV-3-256L-975-27K7	80248	110	80848	110	76726	105	82425	113	732
NV-3-256L-975-27K8	75139	103	75701	103	71841	98	77177	105	732
NV-3-256L-975-30K8	80561	110	81163	111	77025	105	82746	113	732
NV-3-256L-975-30K7	86764	119	87413	119	82956	113	89118	122	732
NV-3-256L-975-35K8	80561	110	81163	111	77025	105	82746	113	732
NV-3-256L-975-40K8	86764	119	87413	119	82956	113	89118	122	732
NV-3-256L-975-40K7	93749	128	94450	129	89634	122	96292	132	732
NV-3-256L-975-50K8	86764	119	87413	119	82956	113	89118	122	732
NV-3-256L-975-50K7	93749	128	94450	129	89634	122	96292	132	732
NV-3-256L-1050-27K7	86421	109	87068	110	82628	105	88766	112	790
NV-3-256L-1050-27K8	80919	102	81524	103	77367	98	83114	105	790
NV-3-256L-1050-30K8	86758	110	87406	111	82950	105	89111	113	790
NV-3-256L-1050-30K7	93438	118	94137	119	89338	113	95973	121	790
NV-3-256L-1050-35K8	86758	110	87406	111	82950	105	89111	113	790
NV-3-256L-1050-40K8	93438	118	94137	119	89338	113	95973	121	790
NV-3-256L-1050-40K7	100960	128	101715	129	96529	122	103699	131	790
NV-3-256L-1050-50K8	93438	118	94137	119	89338	113	95973	121	790
NV-3-256L-1050-50K7	100960	128	101715	129	96529	122	103699	131	790

3000K or lower, with fixed mounting options only, must be selected to meet International Dark-Sky Association certification.

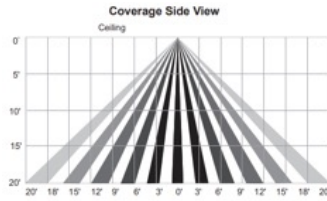
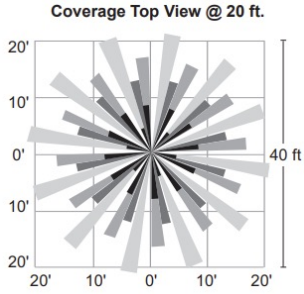


701 Kingshill Place, Carson, CA 90746
Call Us Today (310) 341-2037

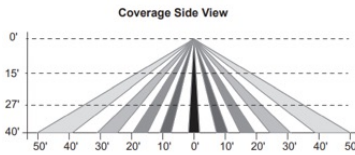
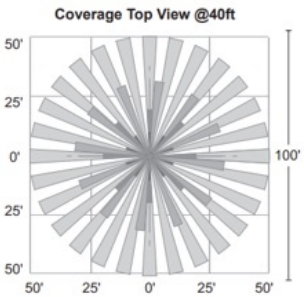
nslighting.com

PRODUCT SPECIFICATIONS

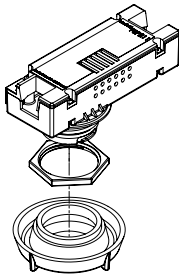
FSP-20



FSP-40



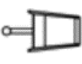

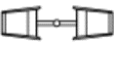



FSP-211



NV-3 LUMEN MAINTENANCE

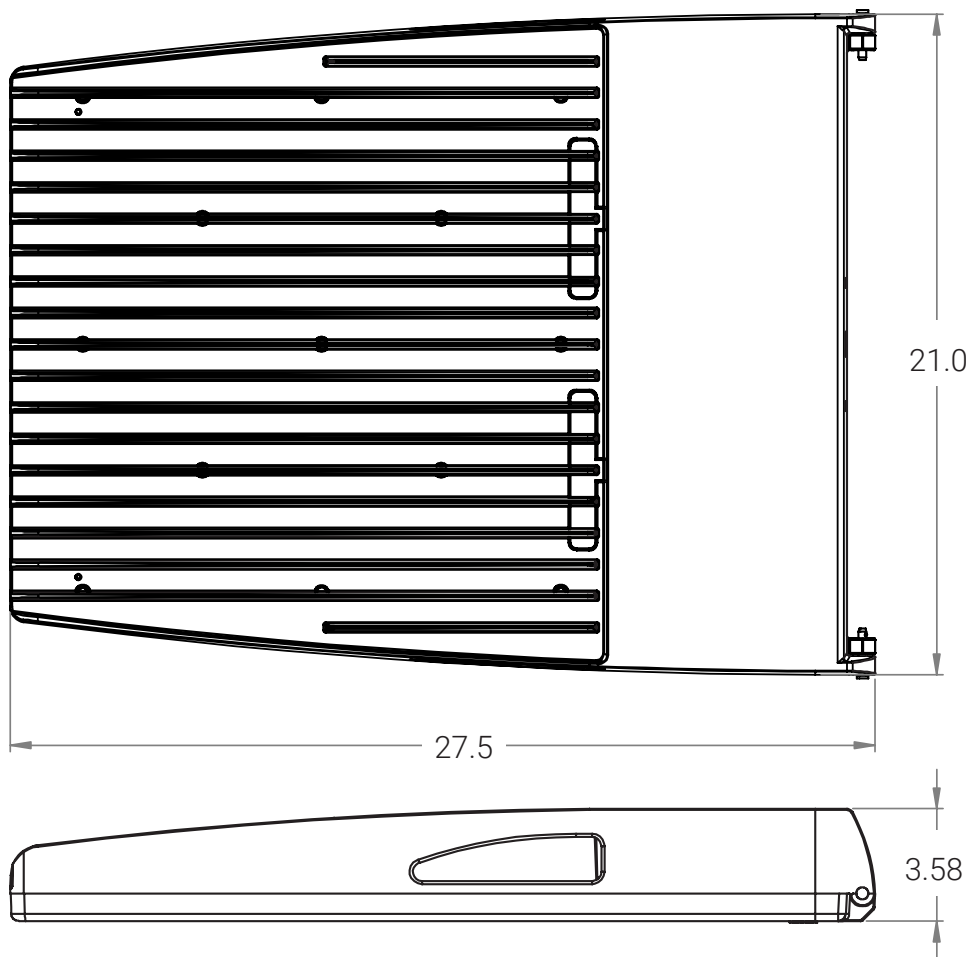
Lumen Maintenance Data							
Ambient Temperature	Drive Current	L90 Hours*	L70 Hours**	30,000 Hours*	50,000 Hours*	60,000 Hours*	100,000 Hours**
25°C	Up to 700mA	58,000	173,000	95.7%	91.6%	89.6%	82.1%
	1050mA	48,000	143,000	94.3%	89.5%	87.2%	78.5%
*Reported extrapolations per IESNA TM-21				**Projected extrapolations per IESNA TM-21			
Lumen Maintenance Data (For Static Colors, Please Contact Factory)							

NV-3 EPA DATA

						
SIDE	SGL	D90	D180	T90	T120	QD
NV-3	.73	1.33	1.46	2.06	1.81	2.06
DPS6	0.18			0.37		
DPS11		0.34	0.34		0.67	0.67
Total EPA (ft^2)	0.91	1.06	1.67	1.82	2.13	2.74

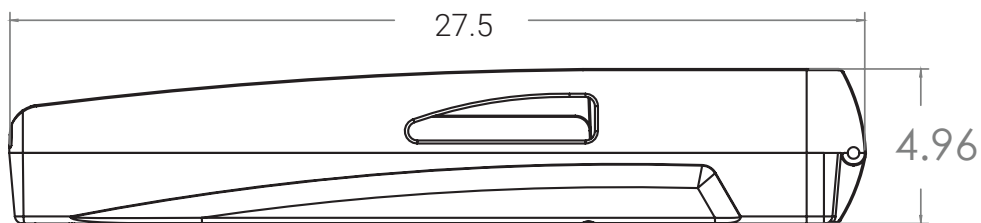
PRODUCT SPECIFICATIONS

STANDARD VERSION



Weight: 55 lbs

GLASS LENS VERSION

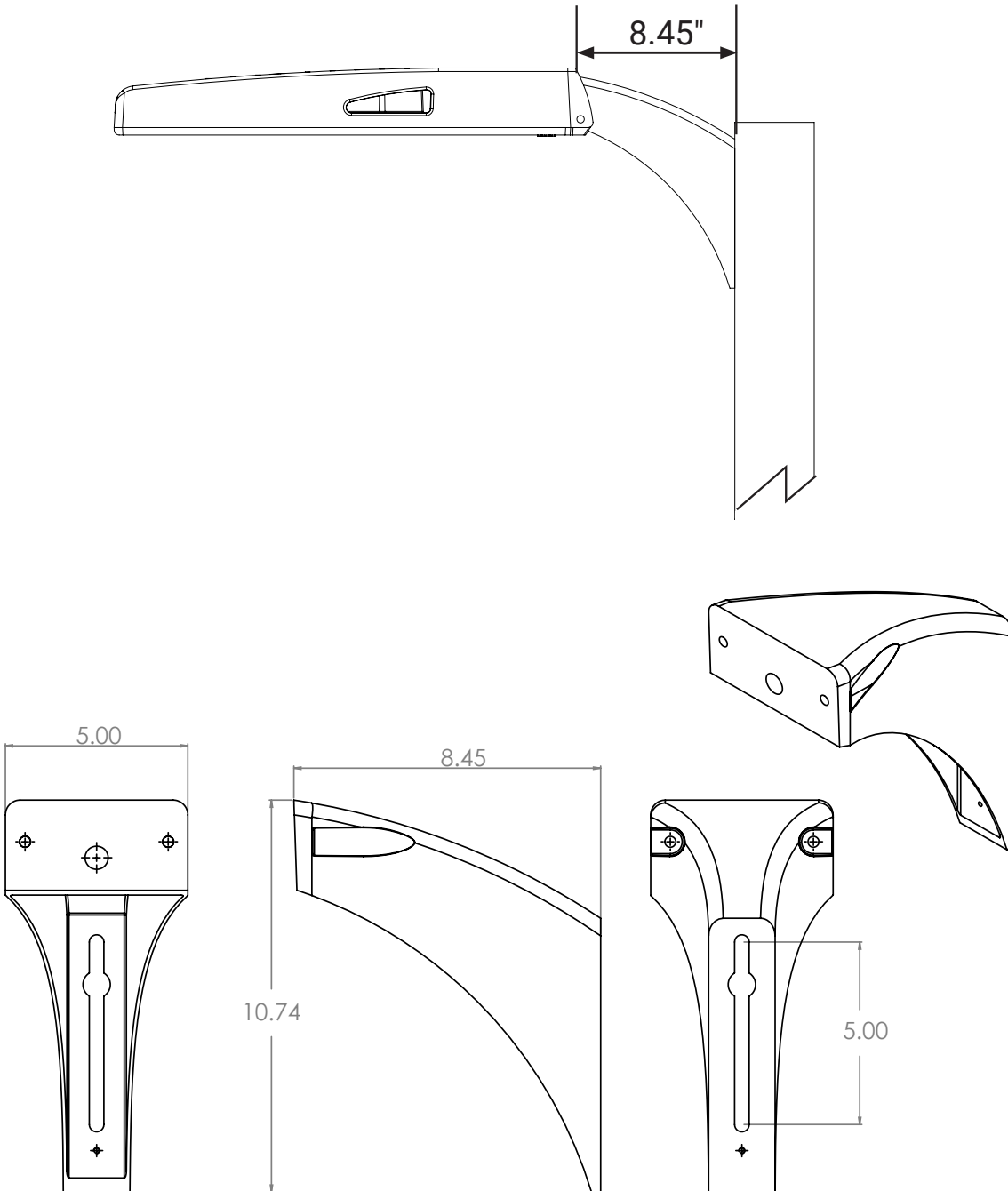


Weight: 58 lbs

MOUNTING OPTIONS

ARCHITECTURAL SWEEP ARM (ASA)

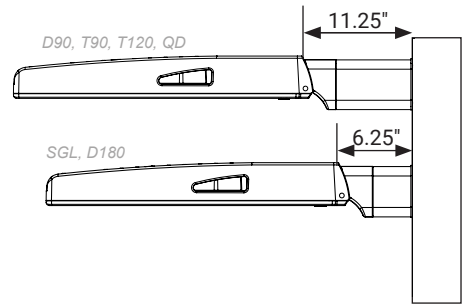
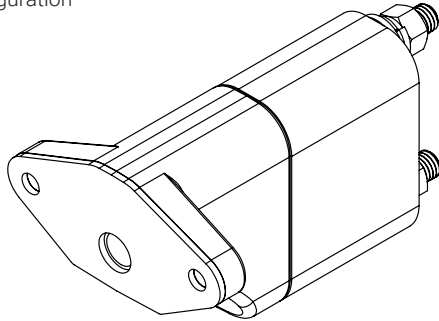
Cast Sweep Arm includes integral Quick Mount Bracket.



MOUNTING OPTIONS

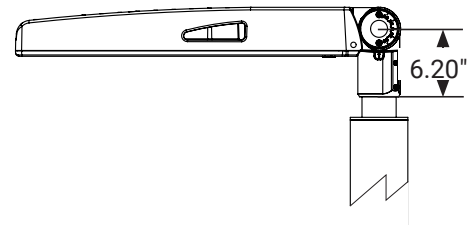
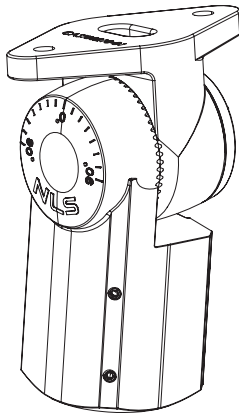
DIRECT POLE (DP)

Standard mounting arm is extruded aluminum in lengths of 6.25" and 11.25".
*Arm lengths may vary depending on configuration



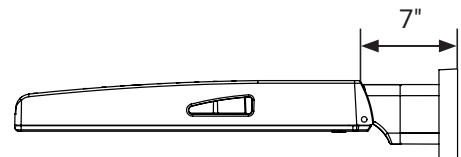
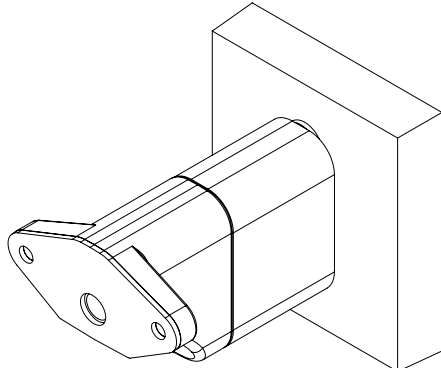
KNUCKLE MOUNT (KM)

Die Cast Knuckle great for adjustable installation on 2-3/8" OD vertical or horizontal tenon.
• Max Uplift of 90 degrees
• Adjustable in 6 degree increments



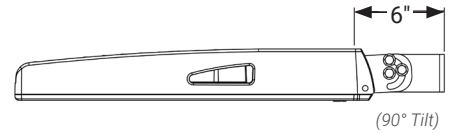
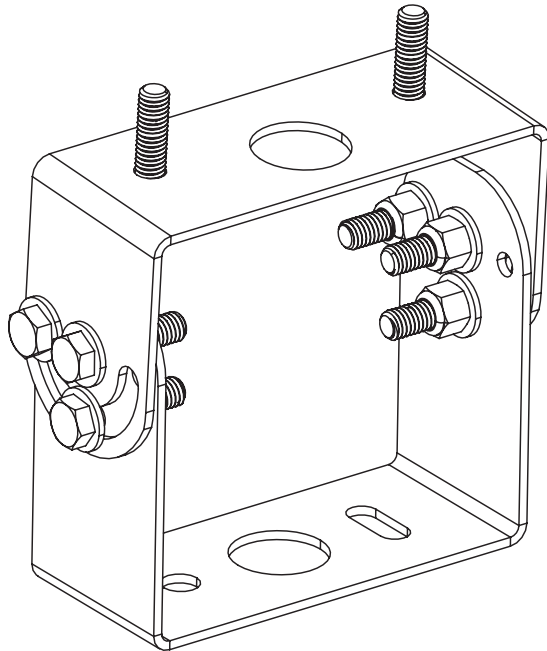
WALL MOUNT (WM)

Cast Aluminum Plate for direct wall mount. 2 piece 7" aluminum arm mounts directly to a cast wall mount box.



TRUNNION MOUNT (TM)

Steel, bolt-on-mounting for adjustable installation with a maximum uplift of 90 degrees.
*Unpainted stainless steel is standard

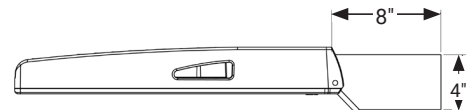
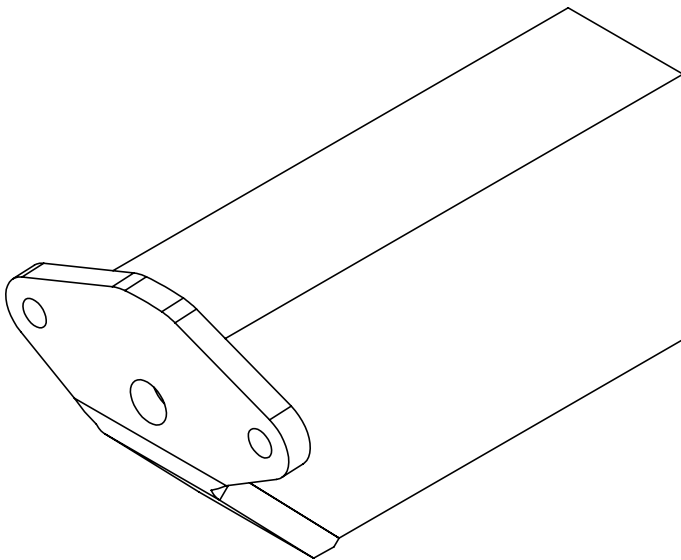


(90° Tilt)



TENNIS ARM MOUNT (TA)

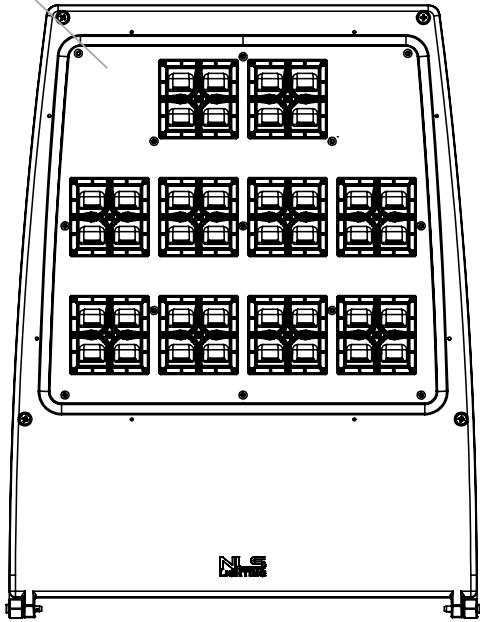
Steel fitter slips over 3.5" x 1.5" rectangular arm.
*See Tennis Arm Spec Sheet for details



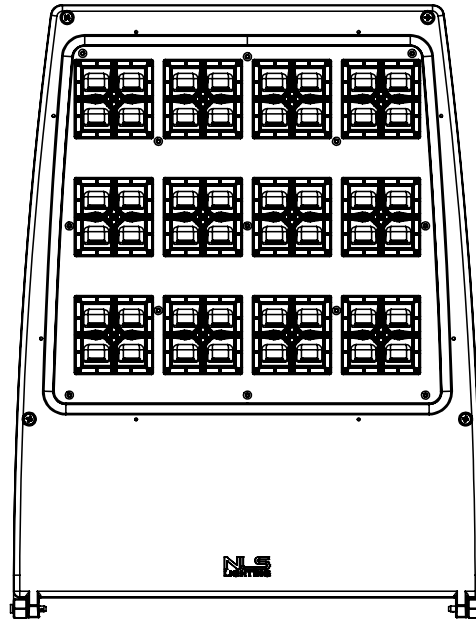
OPTICAL CONFIGURATIONS

Rotate-able Optics (ROR) Rotated Right, (ROL) Rotated Left options available. Optics field and factory rotate-able.
Note: Risk for water ingress if allowing rotate-able optics procedure done in the field.

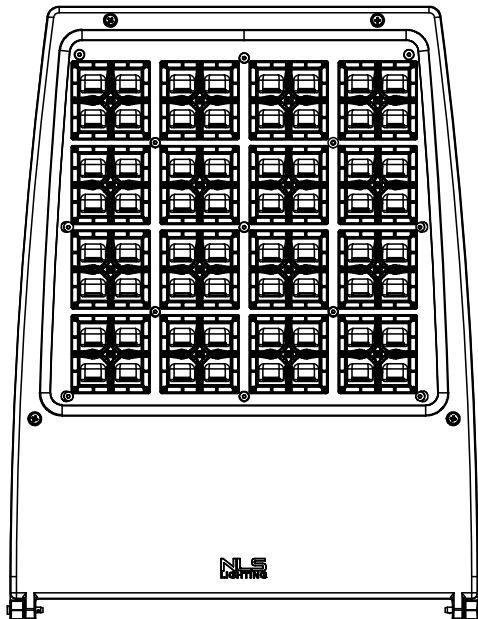
(OPP)



NV-3 / 160L



NV-3 / 192L

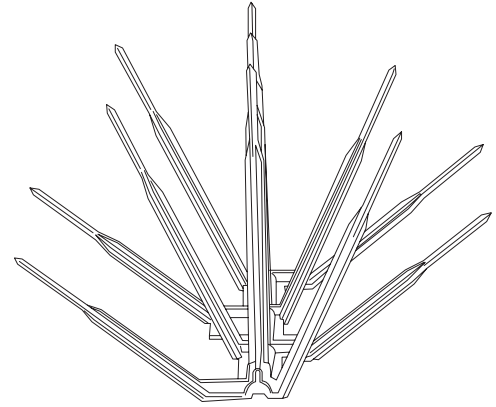


NV-3 / 256L

OPTIC PLATE PAINTED TO MATCH FIXTURE FINISH (OPP)– Optic Plate standard clear anodized, Grade 2. When (OPP) specified, Optic Plate finish will match fixture finish.

BIRD SPIKES (BS)

Bird Spikes offer an effective and humane deterrent for larger bird species and provide a cost-effective long-term solution to nuisance bird infestations and protect your property.



MARINE GRADE FINISH (MGF)

The **(MGF)** is a multi step process. Chemically washed in a 5 stage cleaning system. Pre-baked. Powder coated 3-5 mils of Zinc Rich Super Durable Polyester Primer. Oven Baked. Finished Powder Coating of Super Durable Polyester Powder Coat 3-5 mil thickness.



Powder Coat Finish

3-5mm Powder Coat

Primer Layer

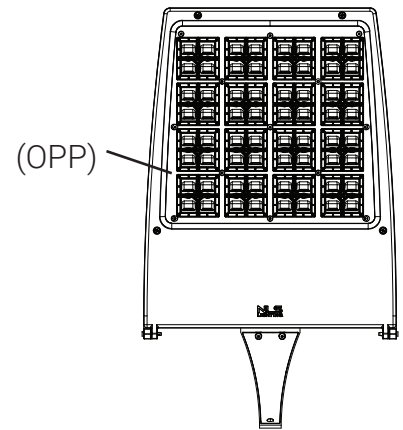
3-5mm Zinc Rich
Super Durable Polyester Primer

Prepared Casting

Chemically washed in multi Step 5 stage cleaning process

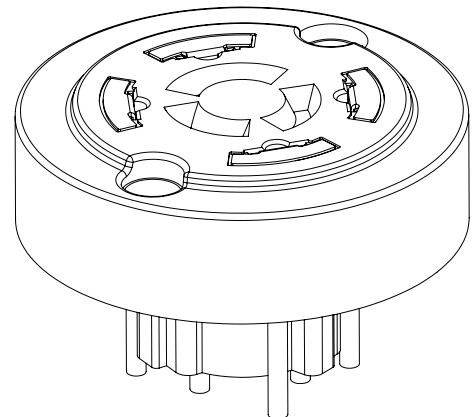
OPTIC PLATE PAINTED TO MATCH (OPP)

Optic plate is clear anodized as standard. The optic plate can be powder coated to match the finish of the fixture.



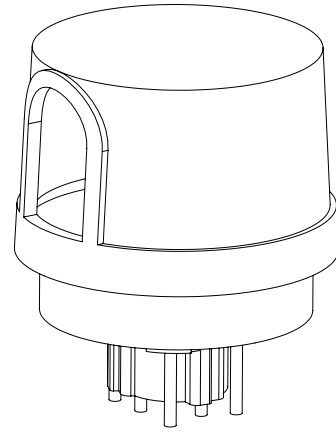
NEMA 7-PIN RECEPTACLE (PE7)

An ANSI C136.41-2013 receptacle provides electrical and mechanical interconnection between photo control cell and luminaire. Dimming receptacle available two or four dimming contacts supports 0-10 VDC dimming methods or Digital Addressable Lighting Interface (DALI), providing reliable power interconnect.



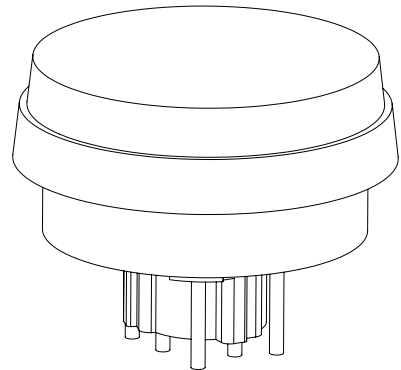
PHOTOCELL + RECEPTACLE (PCR)

7-Pin Receptacle and Electronic Twist Lock Photocell for dusk to dawn operation.



RECEPTACLE + SHORTING CAP (PER)

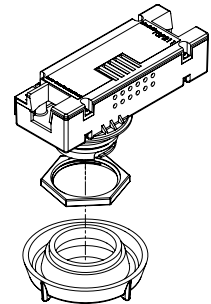
7-Pin Receptacle and Shorting Cap.



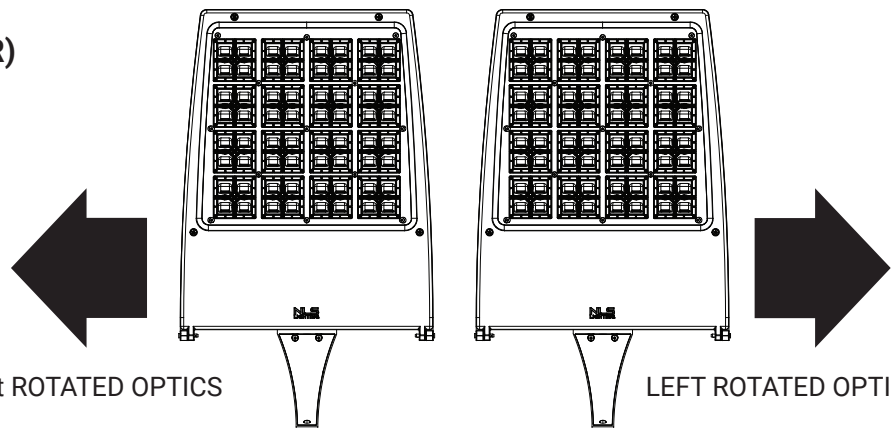
FSP-211 WITH MOTION SENSOR (FSP-XX)

- FSP-211 (FSP-X)—Passive infrared (PIR) sensor providing multi-level control based on motion/daylight contribution.
- All control parameters adjustable via wireless configuration remote storing and transmitting sensor profiles.
- FSP-20 mounting heights 9-20 feet
- FSP-40 mounting heights 21-40 feet.
- Includes 5 dimming event cycles, 0-10V dimming with motion sensing, re-programmable in the field.

FSP-211

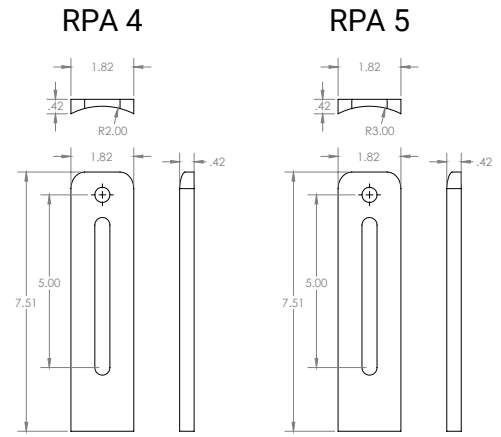


ROTATED OPTICS (ROL) (ROR)



ASA - ROUND POLE ADAPTER OPTIONS (RPA4) (RPA5)

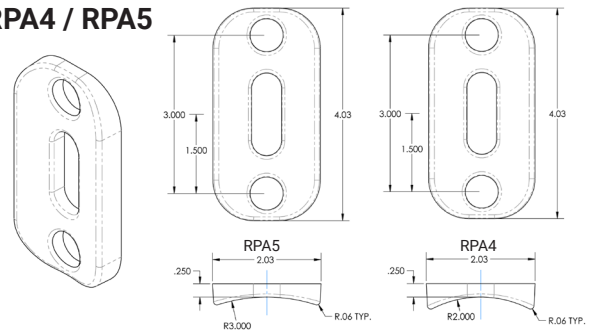
When using round poles, specify Round Pole Adapter (RPA). Specify RPA4 when installing on 3"-4" round poles, and RPA5 when installing on 5"-6" round poles.



ROUND POLE ADAPTER OPTIONS (RPA4) (RPA5)

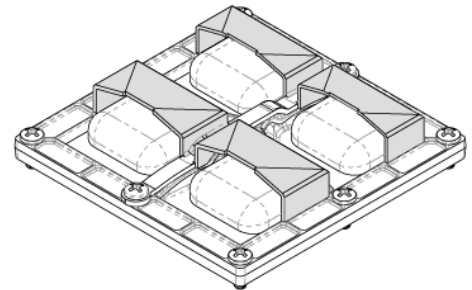
When using round poles, specify Round Pole Adapter (RPA). Specify RPA4 when installing on 3"-4" round poles, and RPA5 when installing on 5"-6" round poles.

RPA4 / RPA5



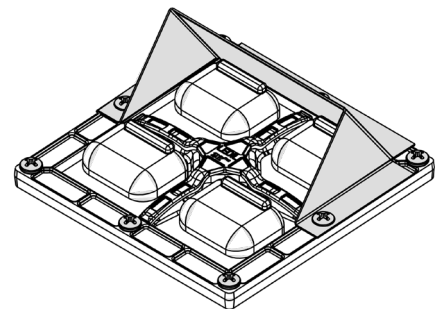
HOUSE SIDE SHIELD (HSS)

House Side Shield (HSS) is designed for full property line cutoff.

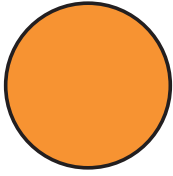


AUTOMOTIVE HOUSE SIDE SHIELD (AHS)

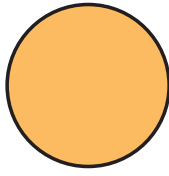
Automotive House Side Shield (AHS) is a single-sided shield allowing partial cutoff on either side or front of luminaire.



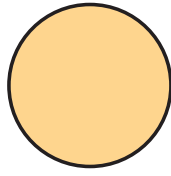
LED KELVIN RANGE



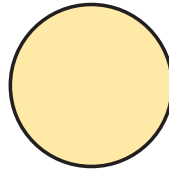
AMBER
585-600 nm



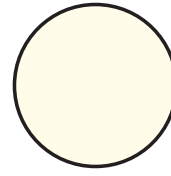
2700K 70 CRI



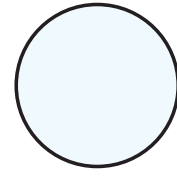
3000K 70 CRI



3500K 80 CRI



4000K 70 CRI

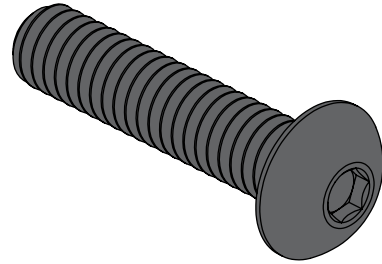


5000K 70 CRI

Color	Dominant or Peak Wavelength Range (nm)	
	Minimum	Maximum
Amber	585	600

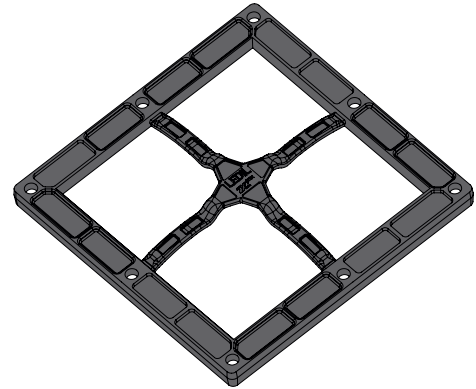
BLACK HARDWARE (BH)

Optional black, zinc coated steel hardware.



BLACK OPTIC FRAME (BOF)

Optional Black Optic Frame. Standard is white.



GLASS LENS (GL)

Optional Glass Lens with larger optic housing. Only available in specific configurations.

Glass Lens Configurations	
160L	900mA
160L	975mA
160L	1050mA
192L	900mA
192L	975mA
192L	1050mA
256L	800mA
256L	850mA
256L	900mA

