

NV-1 | NV-2

ASA

ARCHITECTURAL SWEEP ARM

FORM, FUNCTION & RELIABILITY

- Heavy Duty Die Cast Construction
- Internal Universal Pole Mount
- Installs to existing pole drill patterns, no drilling required.
- 1 person to install to new or existing pole.
- Durable polyester powder coat finish.
- Retrofit existing shoebox fixtures into an architectural work of art.
- No additional cost from traditional straight arm (DPX).
- Specify RPA (Round Pole Adaptor) separately.

Specify NV-1 & NV-2 ASA arms today!!

ASA

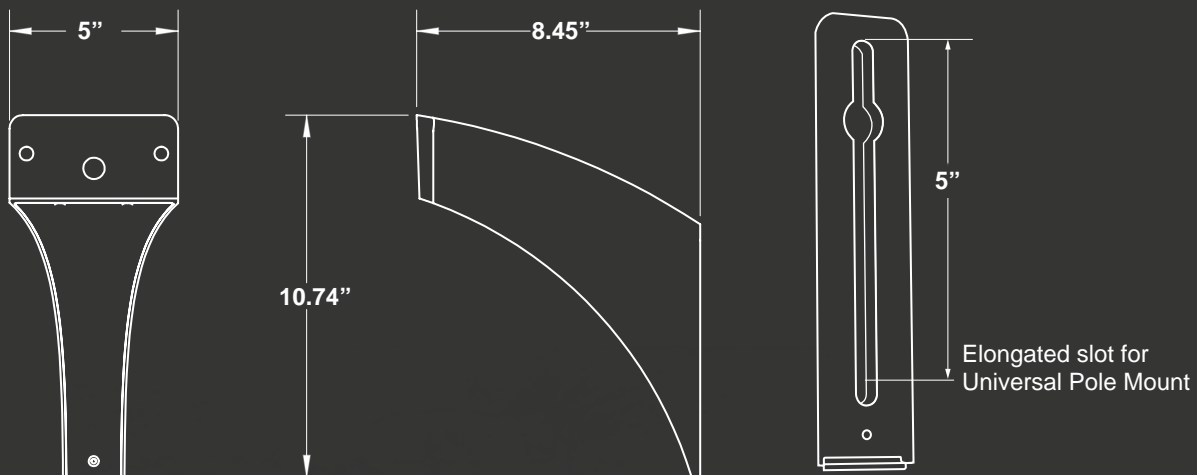
ARCHITECTURAL SWEEP ARM



CONSTRUCTION
Heavy Duty Die Cast.

FINISH
Textured—3-5 mils powder coated. Applied electrostatically. NLS' standard high-quality finishes prevent corrosion and protect against extreme environmental conditions.

DIMENSIONS



NLS LIGHTING, LLC
701 Kingshill Place, Carson, CA 90746
T (310) 341.2037 | nlsighting.com