



FORM AND FUNCTION

- Sleek, die-cast low profile housing
- Spec grade performance
- Engineered for optimum thermal management
- Reduces energy consumption and costs up to 65%
- Lumens: 19,000-51,000

RELIABILITY

- IP65 Rated
- Silicone Optics
- IK10 Rated Optics
- 3G Vibration Rated Trunnion Mount
- 1.5G Vibration Rated Knuckle Mount
- 20KA Surge Protection

The innovative NV Flood Series is a high-powered, corrosion resistant, low copper, die-cast aluminum luminaire.

Heat-sink cooling fins are designed with a thermal gap for longer LED/Driver life.

The NV-F4 comes in 96L to 128L configurations with 5 Kelvin color temperatures 2700K, 3000K, 3500K, 4000K and 5000K. 4 Static LED color options available for a splash of color.

Silicone optical distribution patterns include 15° Very Narrow Beam, 30° Narrow Beam, 55° Medium Beam, 85° Wide beam, 7X5 NEMA T2 Distribution, 7X6 T3 NEMA Distribution, Forward Throw NEMA 6X6 T4, and a Symmetrical NEMA 7X7 T5.

Mounting options include 2 3/8" Knuckle Mount or Trunnion Mount.

Glare control options include the House Side Shield(HSS), Egg Crate Louver Shield(ECL), Barn Doors(BAD), Angled Visor(AGV), Small and Large Snoot(SNS)(SNL).

Other options include Tamper Proof Hardware, 5 Conductor Dimming Leads.

Applications include:

- | | |
|---------------------|---------------------|
| • Sign Lighting | • Parking |
| • Building Facades | • Flag Pole |
| • Landscape | • Merchandising |
| • Wall Washing | • Billboard |
| • Up Lighting | • Indirect Lighting |
| • Security Lighting | • Display Pad |
| • Residential | • Transportation |
| • Commercial | |

IP65 Rated for any direction or angle of Flood Lighting.



Project Name:

Type:

NV-F4 ORDERING GUIDE

Cat#	Optics	Watts	Kelvin Temp		Volts
NV-F 4 (NV-F4)	15° (15) Very Narrow	120W ^① (120W)	2700K, 80 CRI (27K8) ^②	Red 624-634nm (RED) ^③	120-277 (UNV)
	30° (30) Narrow Beam	140W ^① (140W)	3000K, 70 CRI (30K7)	Amber 585-600nm (AMBER) ^④	347-480 (HV)
	55° (55) Medium Beam	160W ^① (160W)	3000K, 80 CRI (30K8) ^②	Green 520-540nm (GREEN) ^⑤	
	85° (85) Wide Beam	200W (200W)	3500K, 80 CRI (35K8)	Royal Blue 440-460nm (BLUE) ^⑥	
	IES T2 / NEMA 7Hx5V (T2)	243W (243W)	4000K, 70 CRI (40K7)		
	IES T3 / NEMA 7Hx6V (T3)	265W (265W)	4000K, 80 CRI (40K8) ^②		
	Forward Throw (T4)	316W (316W)	5000K, 70 CRI (50K7)		
	Symmetrical (T5)	366W (366W)	5000K, 80 CRI (50K8) ^②		
		409W (409W)			

Mounting	Glare Control Options	Color	Options
Knuckle Mount 2-3/8" (KM)	Barn Doors (BAD)	Bronze Textured (BRZ)	Button Photocell (PC) ^⑦ ⑧
Trunnion Mount (TM) ^⑨	Egg Crate Louver (ECL)	White Textured (WHT)	FSP-211 with Motion Sensor (FSP-8) ^⑩
Wall Mount (WM) ^⑪	Angled Visor (AGV)	Smooth White Gloss (SWT)	8' Heights and Below (FSP-20) ^⑩
	Snoot Short (SNS)	Silver Textured (SVR)	*9'-20" Heights (FSP-40) ^⑩
	Snoot Long (SNL)	Black Textured (BLK)	*21'-40" Heights
	House Side Shield (HSS) ^⑫	Smooth Black Gloss (SBK)	Tamper Proof Hardware (TPH)
	No Glare Control (NGC)	Graphite Textured (GPH)	5 Conductor Dimming Leads (DL)
		Grey (GRY)	Marine Grade Finish (MGF)
		Custom (CS)	Black Hardware (BH) ^⑬
			Black Optic Frame (BOF) ^⑭
			No Options (NA)

Notes:

- ① Static Colors Only. Consult Factory
- ② Consult Factory for Lead Time. Consult Factory for 90 CRI Requests.
- ③ Standard finish is stainless steel. Can be painted to match fixture
- ④ Universal Voltage 120-277
- ⑤ House Side Shield for T2, T3, T4 only
- ⑥ Consult Factory
- ⑦ Consult Factory for lead times
- ⑧ Wall Mount Bracket WM-SFA Required



701 Kingshill Place, Carson, CA 90746
Call Us Today (310) 341-2037

nslighting.com

CONSTRUCTION

Precision Die cast-aluminum housing for durability and consistency.

Stainless Steel corrosion resistant external hardware
One-piece silicone gasket ensures IP-65 seal for electronics compartment.

OPTICS

Silicone optics high photo-thermal stability and light output provides higher powered LEDs with minimized lumen depreciation LED life. UV and thermal stability with scratch resistance increases exterior application durability.

Distribution patterns are designed to provide maximum light spread for short set backs when lighting signs and washing walls.

FINISH

3-5 mils electrostatic powder coat.
NLS' standard high-quality finishes prevent corrosion and protects against extreme environmental conditions

MARINE GRADE FINISH (MGF)

A multi-step process creating protective finishing coat against harsh environments.

- Chemically washed in a 5 stage cleaning system.
- Pre-baked
- Powder coated 3-5 mils of Zinc Rich Super Durable Polyester Primer.
- Oven Baked.
- Finished Powder Coating of Super Durable Polyester Powder Coat 3-5 mil thickness.

5 CONDUCTOR DIMMING LEADS—Standard Dimming Leads exiting the fixture for external dimming control.

GLARE CONTROL OPTIONS

HOUSE SIDE SHIELDS (HSS)—House Side Shield (HSS) is designed for full property line cut-off.

BARN DOORS (BAD)—Field adjustable beam angle control.

EGG CRATE LOUVER (ECL)—Egg Crate Louver is for Extreme Glare Control.

ANGLED VISOR (AGV)—Angled Visor is for minimal glare control.

SNOOT (SNS)(SNL)— Short and Long versions for full cut off precision spot lighting.

MOUNTING OPTIONS

KNUCKLE MOUNT (KM)—2-3/8" for direct mount to many options.

TRUNNION MOUNT (TM)—Standard Stainless Steel Cord Seal

ADDITIONAL OPTIONS

TAMPER PROOF HARDWARE—Provided to protect the optical assembly and the driver compartment for vandal resistance.

5 CONDUCTOR DIMMING LEADS—Optional Dimming Leads exiting the fixture for external dimming control.

ELECTRICAL

120-277 Volts (UNV) or 347-480 Volts (HV)

0-10V dimming driver by Philips Advance

Driver power factor at maximum load is $\geq .95$, THD maximum load is 15%

All internal wiring UL certified for 600 VAC and 105°C

All drivers, controls, and sensors housed in enclosed IP-65 compartment

LED

Lumileds Luxeon MX LED

CRI 70, 80, or 90

Color temperatures: 2700K 3000K, 3500K, 4000K, 5000K

Lumileds Luxeon CZ LED

Static Color Options: Red (Red 624-634nm), Green (520-540nm), Blue (440-460nm), and Amber (585-600nm)

WARRANTY

Five-year standard warranty

LISTINGS

Certified to UL 1598

UL 8750

CSA C22.2 No. 250.0

IP65 Rated

IP67 Rated Optics

IK10 Rated

1.5G Vibration Rated per ANSI C136.31-2010 Knuckle

3G Vibration Rated per ANSI C136.31-2010 Trunnion



PRODUCT SPECIFICATIONS

LED WATTAGE CHART	96L	112L	128L
700mA	200W	243	265
1050mA	316W	366	409

NV-F4

PART NUMBER	15°	LM/W	30°	LM/W	55°	LM/W	85°	LM/W	7X5	LM/W	7X6	LM/W	T4	LM/W	T5	LM/W	W
NV-F4-96L-200W-27K8	20368	102	19979	100	19465	97	20131	101	20169	101	20329	102	20486	102	20169	101	200
NV-F4-96L-200W-30K7	23520	118	23070	115	22477	112	23246	116	23290	116	23474	117	23656	118	23290	116	200
NV-F4-96L-200W-35K8	21840	109	21422	107	20872	104	21586	108	21627	108	21798	109	21967	110	21627	108	200
NV-F4-96L-200W-40K7	25413	127	24927	125	24286	121	25117	126	25165	126	25364	127	25561	128	25165	126	200
NV-F4-96L-200W-50K7	25413	127	24927	125	24286	121	25117	126	25165	126	25364	127	25561	128	25165	126	200
NV-F4-112L-243W-27K8	23591	97	23140	95	22545	93	23316	96	23361	96	23545	97	23728	98	23361	96	243
NV-F4-112L-243W-30K7	27241	112	26720	110	26034	107	26924	111	26976	111	27188	112	27400	113	26976	111	243
NV-F4-112L-243W-35K8	25296	104	24812	102	24174	99	25001	103	25049	103	25247	104	25443	105	25049	103	243
NV-F4-112L-243W-40K7	29434	121	28871	119	28129	116	29091	120	29147	120	29377	121	29605	122	29147	120	243
NV-F4-112L-243W-50K7	29434	121	28871	119	28129	116	29091	120	29147	120	29377	121	29605	122	29147	120	243
NV-F4-128L-265W-27K8	26362	99	25859	98	25194	95	26056	98	26105	99	26311	99	26516	100	26105	99	265
NV-F4-128L-265W-30K7	30442	115	29860	113	29092	110	30087	114	30145	114	30383	115	30619	116	30145	114	265
NV-F4-128L-265W-35K8	28267	107	27727	105	27014	102	27939	105	27992	106	28213	106	28432	107	27992	106	265
NV-F4-128L-265W-40K7	32892	124	32263	122	31434	119	32509	123	32571	123	32828	124	33083	125	32571	123	265
NV-F4-128L-265W-50K7	32892	124	32263	122	31434	119	32509	123	32571	123	32828	124	33083	125	32571	123	265
NV-F4-96L-316W-27K8	30552	97	29968	95	29198	92	30197	96	30254	96	30493	96	30730	97	30254	96	316
NV-F4-96L-316W-30K7	35279	112	34605	110	33716	107	34869	110	34936	111	35211	111	35485	112	34936	111	316
NV-F4-96L-316W-35K8	32760	104	32134	102	31308	99	32379	102	32440	103	32696	103	32950	104	32440	103	316
NV-F4-96L-316W-40K7	38119	121	37391	118	36430	115	37676	119	37748	119	38046	120	38341	121	37748	119	316
NV-F4-96L-316W-50K7	38119	121	37391	118	36430	115	37676	119	37748	119	38046	120	38341	121	37748	119	316
NV-F4-112L-366W-27K8	35386	97	34710	95	33818	92	34974	96	35041	96	35318	96	35592	97	35041	96	366
NV-F4-112L-366W-30K7	40862	112	40081	110	39050	107	40386	110	40463	111	40783	111	41099	112	40463	111	366
NV-F4-112L-366W-35K8	37943	104	37218	102	36261	99	37502	102	37573	103	37870	103	38164	104	37573	103	366
NV-F4-112L-366W-40K7	44151	121	43307	118	42194	115	43637	119	43721	119	44065	120	44408	121	43721	119	366
NV-F4-112L-366W-50K7	44151	121	43307	118	42194	115	43637	119	43721	119	44065	120	44408	121	43721	119	366
NV-F4-128L-409W-27K8	39544	97	38788	95	37791	92	39084	96	39158	96	39467	96	39774	97	39158	96	409
NV-F4-128L-409W-30K7	45662	112	44790	110	43638	107	45131	110	45217	111	45574	111	45928	112	45217	111	409
NV-F4-128L-409W-35K8	42401	104	41591	102	40522	99	41908	102	41988	103	42319	103	42648	104	41988	103	409
NV-F4-128L-409W-40K7	49338	121	48395	118	47151	115	48764	119	48857	119	49242	120	49625	121	48857	119	409
NV-F4-128L-409W-50K7	49338	121	48395	118	47151	115	48764	119	48857	119	49242	120	49625	121	48857	119	409



701 Kingshill Place, Carson, CA 90746
Call Us Today (310) 341-2037

nslighting.com

PRODUCT SPECIFICATIONS

NV-F4 With Glare Control 15° Optic					
PART NUMBER	15° Snoot Long	Lm/W	15° Snoot Short	Lm/W	WATTS
NV-F4-96L-200W-27K8	19057	95	20964	105	200
NV-F4-96L-200W-30K7	22006	110	24207	121	200
NV-F4-96L-200W-35K8	20434	102	22479	112	200
NV-F4-96L-200W-40K7	23777	119	26156	131	200
NV-F4-96L-200W-50K7	23777	119	26156	131	200
NV-F4-112L-243W-27K8	22073	91	24281	100	243
NV-F4-112L-243W-30K7	25488	105	28038	115	243
NV-F4-112L-243W35K8	23668	97	26035	107	243
NV-F4-112L-243W-40K7	27540	113	30295	125	243
NV-F4-112L-243W-50K7	27540	113	30295	125	243
NV-F4-128L-265W-27K8	24666	93	27133	102	265
NV-F4-128L-265W-30K7	28482	107	31332	118	265
NV-F4-128L-265W-35K8	26448	100	29094	110	265
NV-F4-128L-265W-40K7	30775	116	33854	128	265
NV-F4-128L-265W-50K7	30775	116	33854	128	265
NV-F4-96L-316W-27K8	28586	90	31445	100	316
NV-F4-96L-316W-30K7	33009	104	36311	115	316
NV-F4-96L-316W-35K8	30652	97	33718	107	316
NV-F4-96L-316W-40K7	35666	113	39234	124	316
NV-F4-96L-316W-50K7	35666	113	39234	124	316
NV-F4-112L-366W-27K8	33109	90	36421	100	366
NV-F4-112L-366W-30K7	38232	104	42057	115	366
NV-F4-112L-366W-35K8	35501	97	39053	107	366
NV-F4-112L-366W-40K7	41310	113	45442	124	366
NV-F4-112L-366W-50K7	41310	113	45442	124	366
NV-F4-128L-409W-27K8	36999	90	40700	100	409
NV-F4-128L-409W-30K7	42724	104	46998	115	409
NV-F4-128L-409W-35K8	39672	97	43641	107	409
NV-F4-128L-409W-40K7	46163	113	50781	124	409
NV-F4-128L-409W-50K7	46163	113	50781	124	409

NV-F4 With Glare Control 30° Optic							
PART NUMBER	30° Egg Crate Louver	LM/W	30° Snoot Long	Lm/W	30° Snoot Short	Lm/W	WATTS
NV-F4-96L-200W-27K8	15723	79	17787	89	20329	102	200
NV-F4-96L-200W-30K7	18156	91	20539	103	23474	117	200
NV-F4-96L-200W-35K8	16859	84	19072	95	21798	109	200
NV-F4-96L-200W-40K7	19617	98	22193	111	25364	127	200
NV-F4-96L-200W-50K7	19617	98	22193	111	25364	127	200
NV-F4-112L-243W-27K8	18211	75	20601	85	23545	97	243
NV-F4-112L-243W-30K7	21028	87	23789	98	27188	112	243
NV-F4-112L-243W35K8	19526	80	22090	91	25247	104	243
NV-F4-112L-243W-40K7	22721	94	25704	106	29377	121	243
NV-F4-112L-243W-50K7	22721	94	25704	106	29377	121	243
NV-F4-128L-265W-27K8	20350	77	23022	87	26311	99	265
NV-F4-128L-265W-30K7	23499	89	26584	100	30383	115	265
NV-F4-128L-265W-35K8	21821	82	24685	93	28213	106	265
NV-F4-128L-265W-40K7	25390	96	28724	108	32828	124	265
NV-F4-128L-265W-50K7	25390	96	28724	108	32828	124	265
NV-F4-96L-316W-27K8	23584	75	26681	84	30493	96	316
NV-F4-96L-316W-30K7	27233	86	30809	97	35211	111	316
NV-F4-96L-316W-35K8	25288	80	28609	91	32696	103	316
NV-F4-96L-316W-40K7	29426	93	33289	105	38046	120	316
NV-F4-96L-316W-50K7	29426	93	33289	105	38046	120	316
NV-F4-112L-366W-27K8	27316	75	30902	84	35318	96	366
NV-F4-112L-366W-30K7	31542	86	35684	97	40783	111	366
NV-F4-112L-366W-35K8	29290	80	33135	91	37870	103	366
NV-F4-112L-366W-40K7	34082	93	38556	105	44065	120	366
NV-F4-112L-366W-50K7	34082	93	38556	105	44065	120	366
NV-F4-128L-409W-27K8	30525	75	34533	84	39467	96	409
NV-F4-128L-409W-30K7	35248	86	39876	97	45574	111	409
NV-F4-128L-409W-35K8	32731	80	37028	91	42319	103	409
NV-F4-128L-409W-40K7	38086	93	43086	105	49242	120	409
NV-F4-128L-409W-50K7	38086	93	43086	105	49242	120	409



701 Kingshill Place, Carson, CA 90746
Call Us Today (310) 341-2037

nslighting.com

PRODUCT SPECIFICATIONS

NV-F4 With Glare Control Angled Visor

PART NUMBER	55° Angled Visor	Lm/W	30° Angled Visor	Lm/W	WATTS
NV-F4-96L-200W-27K8	19387	97	20162	101	200
NV-F4-96L-200W-30K7	22387	112	23282	116	200
NV-F4-96L-200W-35K8	20788	104	21619	108	200
NV-F4-96L-200W-40K7	24189	121	25156	126	200
NV-F4-96L-200W-50K7	24189	121	25156	126	200
NV-F4-112L-243W-27K8	22455	92	23353	96	243
NV-F4-112L-243W-30K7	25929	107	26966	111	243
NV-F4-112L-243W35K8	24077	99	25040	103	243
NV-F4-112L-243W-40K7	28016	115	29137	120	243
NV-F4-112L-243W-50K7	28016	115	29137	120	243
NV-F4-128L-265W-27K8	25093	95	26096	98	265
NV-F4-128L-265W-30K7	28975	109	30134	114	265
NV-F4-128L-265W-35K8	26906	102	27982	106	265
NV-F4-128L-265W-40K7	31308	118	32560	123	265
NV-F4-128L-265W-50K7	31308	118	32560	123	265
NV-F4-96L-316W-27K8	29081	92	30244	96	316
NV-F4-96L-316W-30K7	33580	106	34923	111	316
NV-F4-96L-316W-35K8	31182	99	32429	103	316
NV-F4-96L-316W-40K7	36283	115	37735	119	316
NV-F4-96L-316W-50K7	36283	115	37735	119	316
NV-F4-112L-366W-27K8	33682	92	35029	96	366
NV-F4-112L-366W-30K7	38894	106	40449	111	366
NV-F4-112L-366W-35K8	36116	99	37560	103	366
NV-F4-112L-366W-40K7	42024	115	43705	119	366
NV-F4-112L-366W-50K7	42024	115	43705	119	366
NV-F4-128L-409W-27K8	37639	92	39145	96	409
NV-F4-128L-409W-30K7	43463	106	45202	111	409
NV-F4-128L-409W-35K8	40359	99	41973	103	409
NV-F4-128L-409W-40K7	46962	115	48840	119	409
NV-F4-128L-409W-50K7	46962	115	48840	119	409

NV-F4 With Glare Control Angled Visor

PART NUMBER	55° Angled Visor	Lm/W	30° Angled Visor	Lm/W	WATTS
NV-F4-96L-200W-27K8	19387	97	20162	101	200
NV-F4-96L-200W-30K7	22387	112	23282	116	200
NV-F4-96L-200W-35K8	20788	104	21619	108	200
NV-F4-96L-200W-40K7	24189	121	25156	126	200
NV-F4-96L-200W-50K7	24189	121	25156	126	200
NV-F4-96L-316W-27K8	29081	92	30244	96	316
NV-F4-96L-316W-30K7	33580	106	34923	111	316
NV-F4-96L-316W-35K8	31182	99	32429	103	316
NV-F4-96L-316W-40K7	36283	115	37735	119	316
NV-F4-96L-316W-50K7	36283	115	37735	119	316
NV-F4-112L-243W-27K8	22455	92	23353	96	243
NV-F4-112L-243W-30K7	25929	107	26966	111	243
NV-F4-112L-243W35K8	24077	99	25040	103	243
NV-F4-112L-243W-40K7	28016	115	29137	120	243
NV-F4-112L-243W-50K7	28016	115	29137	120	243
NV-F4-112L-366W-27K8	33682	92	35029	96	366
NV-F4-112L-366W-30K7	38894	106	40449	111	366
NV-F4-112L-366W-35K8	36116	99	37560	103	366
NV-F4-112L-366W-40K7	42024	115	43705	119	366
NV-F4-112L-366W-50K7	42024	115	43705	119	366
NV-F4-128L-265W-27K8	25093	95	26096	98	265
NV-F4-128L-265W-30K7	28975	109	30134	114	265
NV-F4-128L-265W-35K8	26906	102	27982	106	265
NV-F4-128L-265W-40K7	31308	118	32560	123	265
NV-F4-128L-265W-50K7	31308	118	32560	123	265
NV-F4-128L-409W-27K8	37639	92	39145	96	409
NV-F4-128L-409W-30K7	43463	106	45202	111	409
NV-F4-128L-409W-35K8	40359	99	41973	103	409
NV-F4-128L-409W-40K7	46962	115	48840	119	409
NV-F4-128L-409W-50K7	46962	115	48840	119	409



701 Kingshill Place, Carson, CA 90746
Call Us Today (310) 341-2037

nlsighting.com

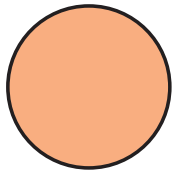
PRODUCT SPECIFICATIONS

EPA	NV-F4
	.69

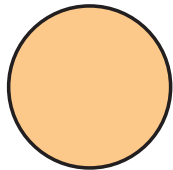
Weight	NV-F4
	42 LBS

Lumen Maintenance Data							
Ambient Temperature	Drive Current	L90 Hours*	L70 Hours**	30,000 Hours*	50,000 Hours*	60,000 Hours*	100,000 Hours**
25°C	Up to 700mA	58,000	173,000	95.7%	91.6%	89.6%	82.1%
	1050mA	48,000	143,000	94.3%	89.5%	87.2%	78.5%
*Reported extrapolations per IESNA TM-21				**Projected extrapolations per IESNA TM-21			
Lumen Maintenance Data (For Static Colors, Please Contact Factory)							

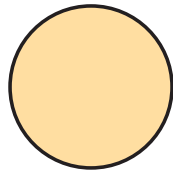
LED KELVIN RANGE



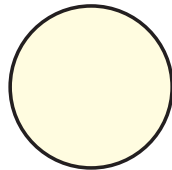
2700K 80 CRI



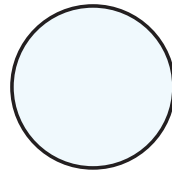
3000K 70 CRI



3500K 80 CRI

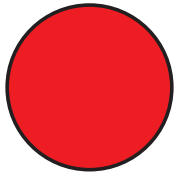


4000K 70 CRI

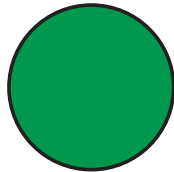


5000K 70 CRI

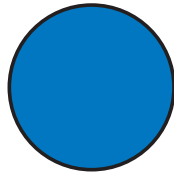
STATIC COLOR LED



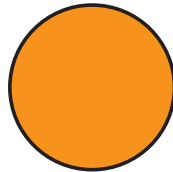
RED
624-634 nm



GREEN
520-540 nm



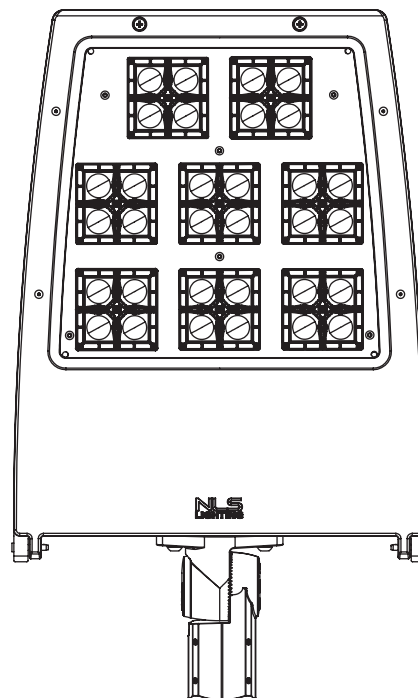
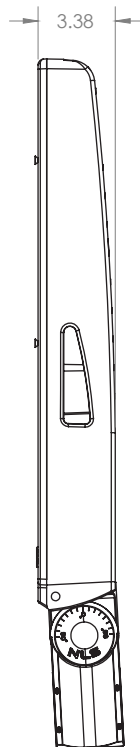
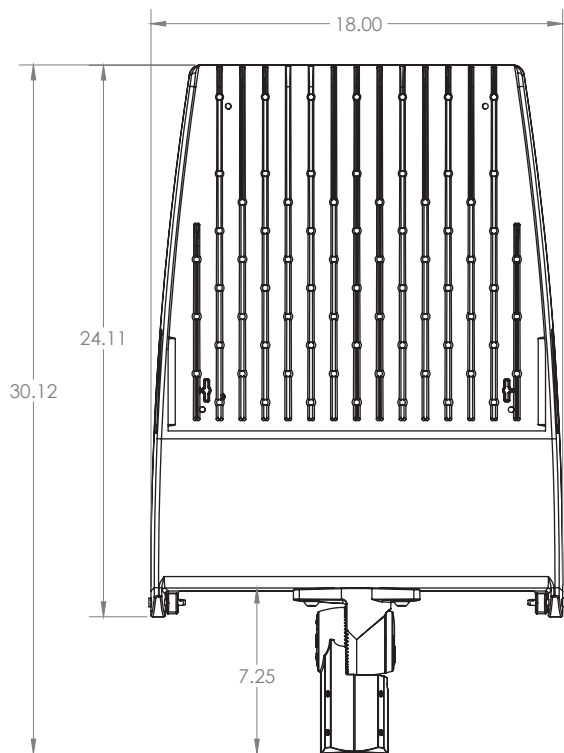
ROYAL BLUE
440-460nm



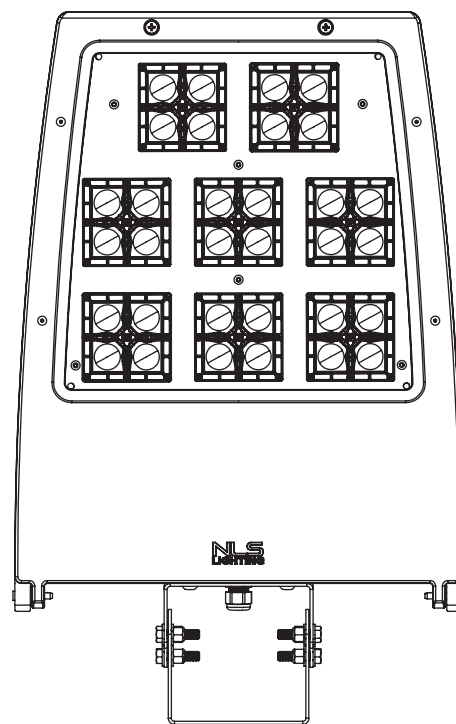
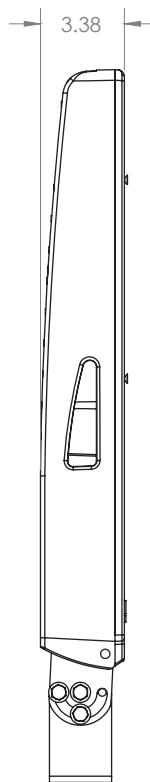
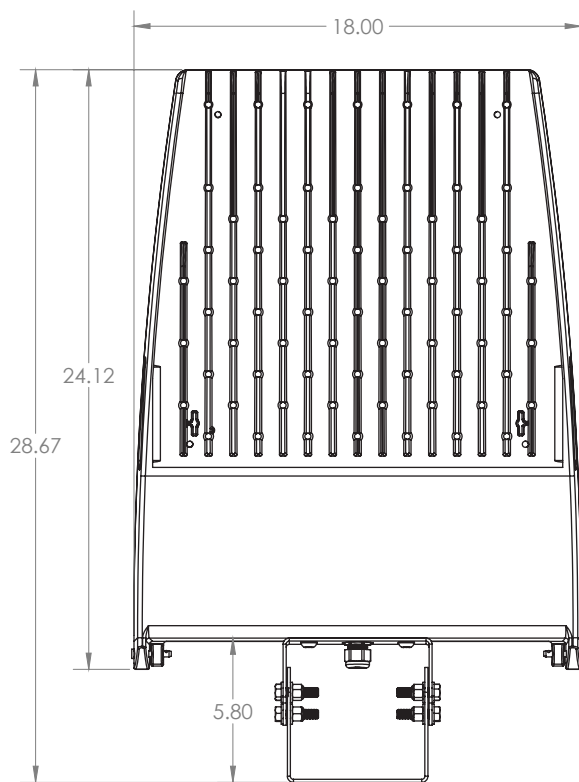
AMBER
585-600 nm

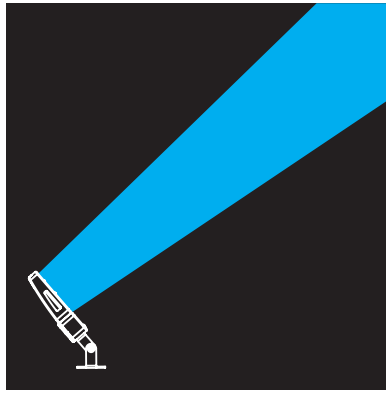
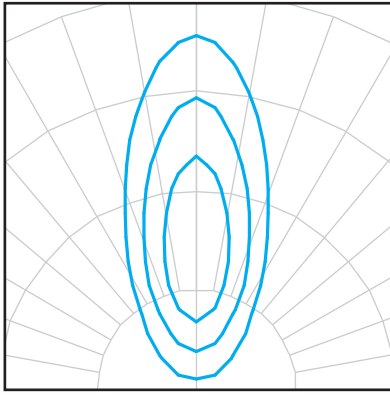
DIMENSIONAL DRAWINGS

KNUCKLE MOUNT



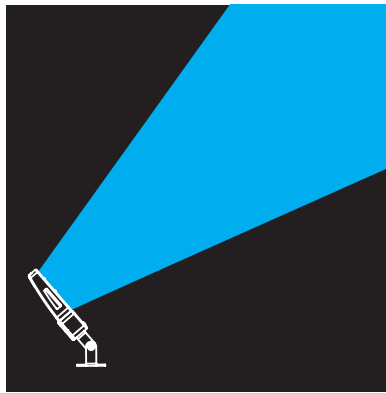
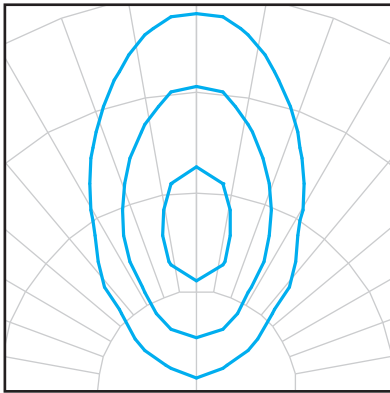
TRUNNION MOUNT





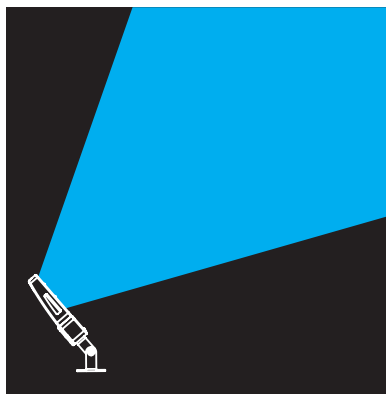
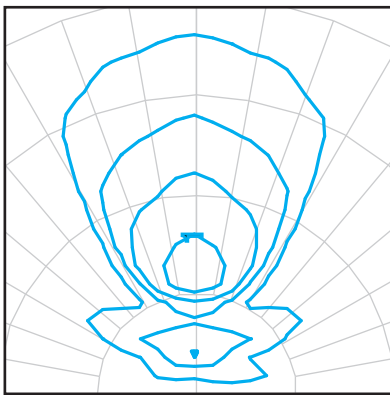
15° Very Narrow Beam Optic

The 15° Optic is used for very specific spot lighting. Spot Lighting a statue, a monument, or a piece of art. The NV Floods can be used indoors and outdoors. Pair the 15° Optic with the following Glare Control Options for more dramatic effect. Snoot Short (SNS), Snoot Long (SNL), or Egg Crate Louvers (ECL). These Glare Control Options help reduce glare and focus the viewing angles.



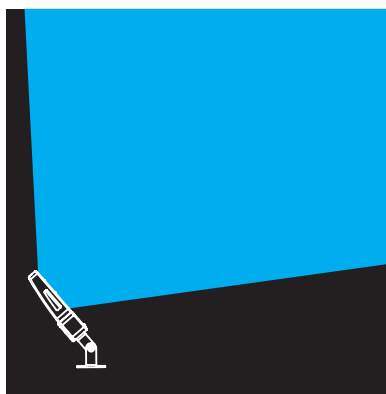
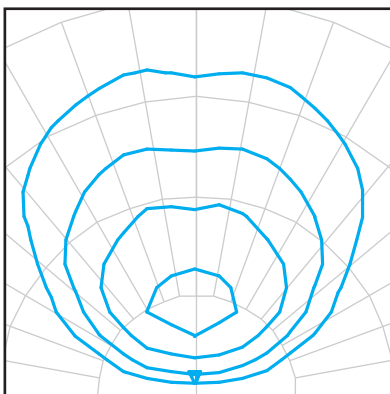
30° Narrow Beam Optic

The 30° Optic is used for larger objects and for spot and accent lighting. The 30° is perfect for Flag Lighting, Facade Lighting and great for showcasing Car Dealerships, display pads. Pair the 30° Optic with the following Glare Control Options for more dramatic effect. Snoot Short (SNS), Snoot Long (SNL), or Egg Crate Louvers (ECL). These Glare Control Options help reduce glare and focus the viewing angle.



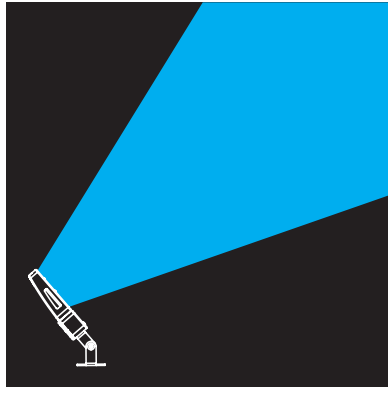
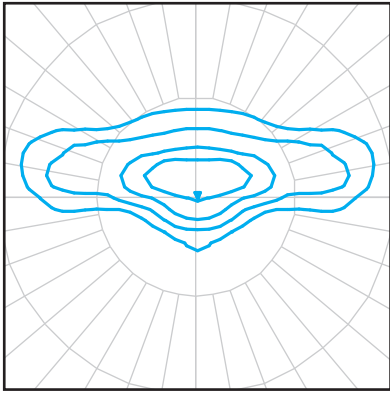
55° Medium Beam Optic

The 55° Optic is used for larger objects, flood lighting. The 55° is perfect for Facade Lighting, Landscape and general flood lighting. Pair the 55° Optic with the following Glare Control Options for more dramatic effect. Snoot Short (SNS), Angled Visor (AGV), These Glare Control Options help reduce glare and focus the beam angles.



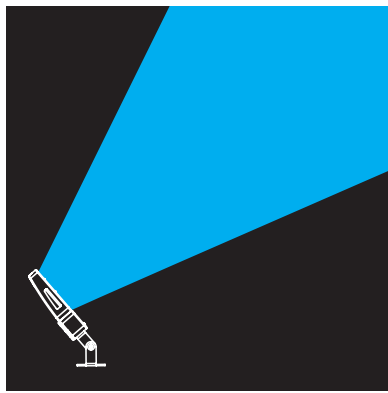
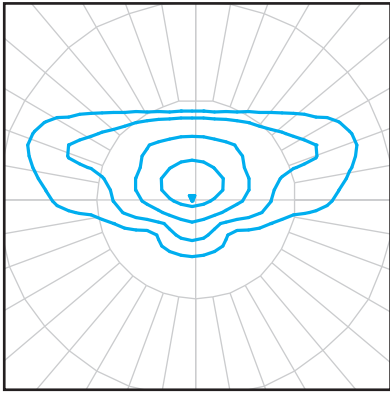
85° Wide Flood Optic

The 85° Optic is used for large area and accent lighting. The 85° is perfect for Security Lighting, general flood lighting and area lighting. Pair the 85° Optic with the following Glare Control Options for more dramatic effect. Snoot Small (SNS), Angled Visor (AGV), These Glare Control Options help reduce glare and shield unnecessary light.



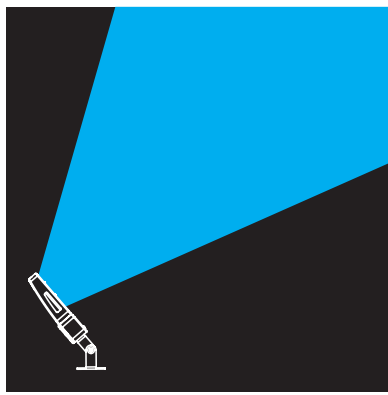
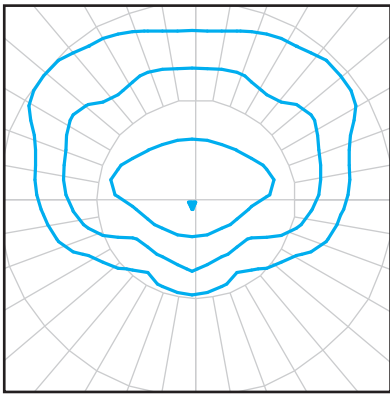
NEMA 7X5 T2 Flood Optic

The Type II (T2) distribution is used for narrow pathways and trails, narrow entrances of shopping centers, parking lots and office complex's.



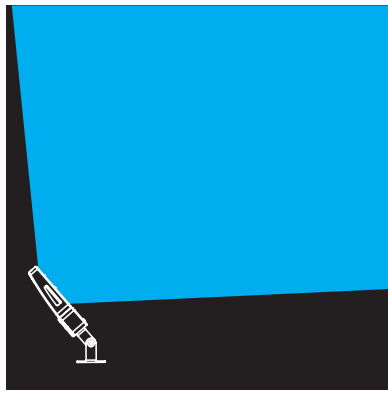
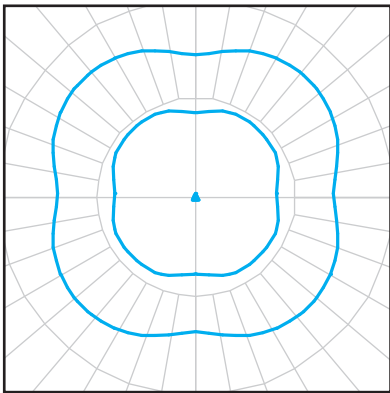
NEMA 7X6 T3 Flood Optic

The Type III (T3) distribution is meant for roadway lighting, general parking areas and other areas where a larger area of lighting is required. Type III lighting needs to be placed to the side of the area, allowing the light to project outward and fill the area. This produces a filling light flow.



NEMA 6X6 Forward Throw T4 Flood Optic

The Type IV (T4) distribution produces a semicircular light meant for mounting on the sides of buildings and walls. It is best for illuminating the perimeter of parking areas and businesses. The intensity of the Type IV lighting has the same intensity at angles from 90° to 270°.

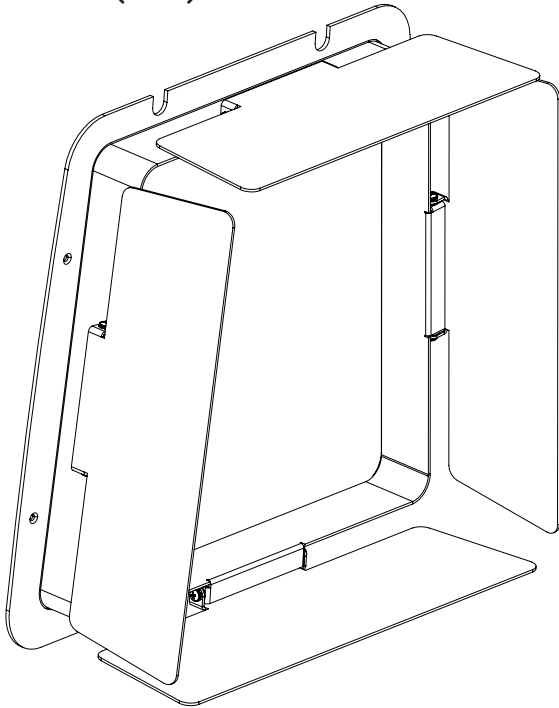


NEMA 7X7 Symmetrical T5 Flood Optic

The Type V (T5) produces a symmetrical distribution that has the same intensity at all angles. This distribution has a uniform symmetry of candlepower that is essentially the same at all lateral angles. It is meant for large, commercial parking lot lighting as well as areas where sufficient, evenly distributed light is necessary.

GLARE CONTROL OPTIONS

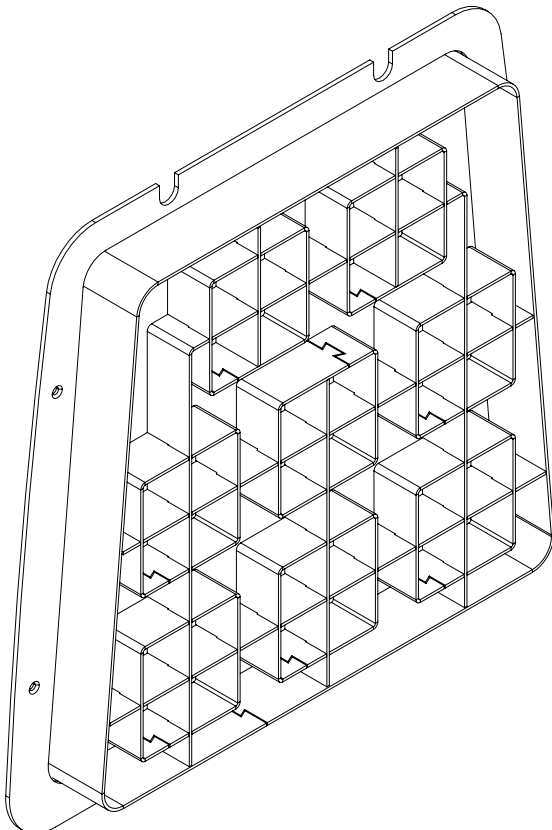
BARN DOORS (BAD)



Barn Doors (BAD)

The Barn Doors is field adjustable beam angle control. Laser cut precision formed aluminum construction. Powder Coated flat black as standard. The **(BAD)** is field installable.

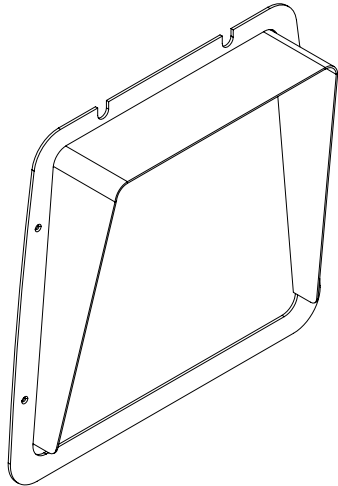
EGG CRATE LOUVER (ECL)



Egg Crate Louver (ECL)

The Egg Crate Louver is designed for Extreme Glare Control. Laser cut precision formed aluminum construction. Powder Coated flat black as standard. The **(ECL)** is field installable.

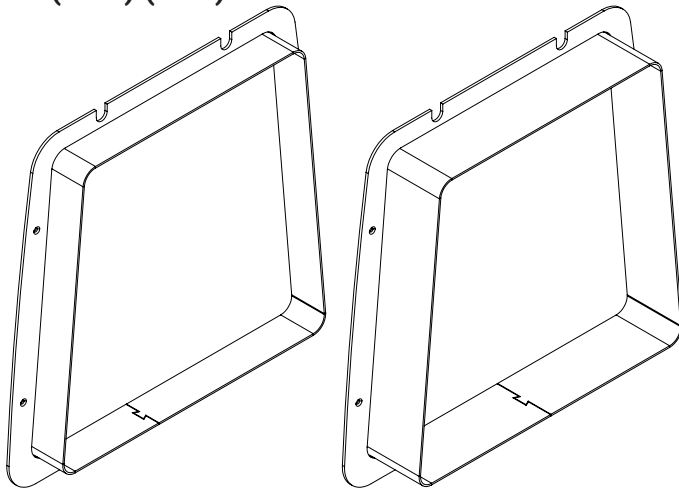
ANGLED VISOR (AGV)



Angled Visor (AGV)

The Angled Visor is designed for minimal glare control. Laser cut precision formed aluminum construction. Powder Coated flat black as standard. The **(AGV)** is field installable.

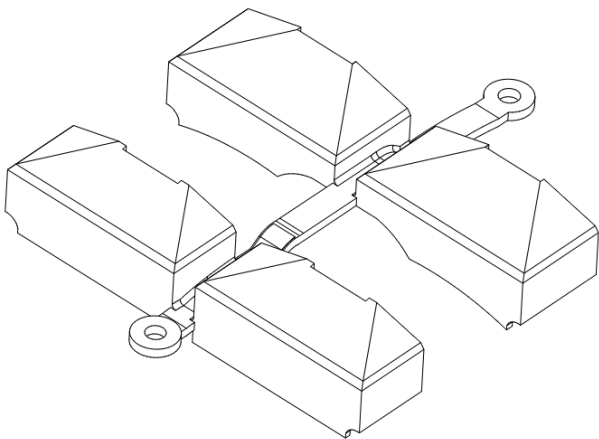
SNOOT (SNS) (SNL)



Snoot (SNS) (SNL)

Snoot in short or long options for full-cut off precision spot lighting. Laser cut precision formed aluminum construction. Powder Coated flat black as standard. The **(SNS)** & **(SNL)** is field installable.

HOUSE SIDE SHIELD (HSS)



House Side Shield (HSS)

House Side Shield **(HSS)** is designed for stringent property line cut-off. Injection Molded Glass Filled Nylon, standard finish is black.

FIXTURE FEATURES & OPTIONS

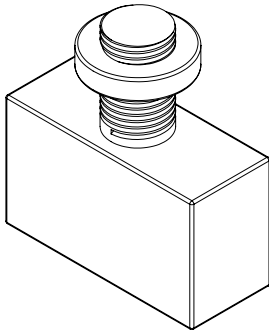
MARINE GRADE FINISH



Marine Grade Finish (MGF)

The **(MGF)** is a multi step process. Chemically washed in a 5 stage cleaning system. Pre-baked. Powder coated 3-5 mils of Zinc Rich Super Durable Polyester Primer. Oven Baked. Finished Powder Coating of Super Durable Polyester Powder Coat 3-5 mil thickness.

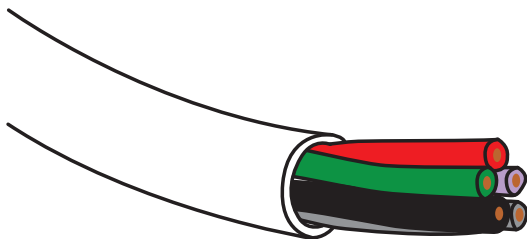
BUTTON PHOTOCELL



Button Type Photocell (PC)

Photocell for dusk to dawn operation.
Consult Factory.

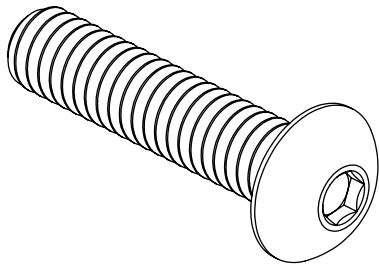
5 CONDUCTOR DIMMING LEADS



5 Conductor Dimming Leads (DL)

Standard Dimming Leads exiting the fixture for external dimming control.

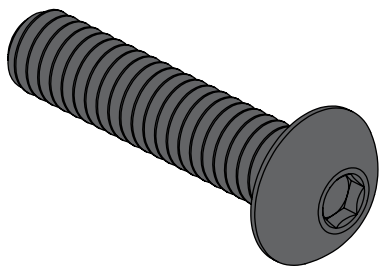
TAMPER PROOF HARDWARE



Tamper Proof Hardware (TPH)

316 Stainless Steel Button Head Hex Drive Screws. Provided to protect the optical assembly and the driver compartment for vandal resistance.

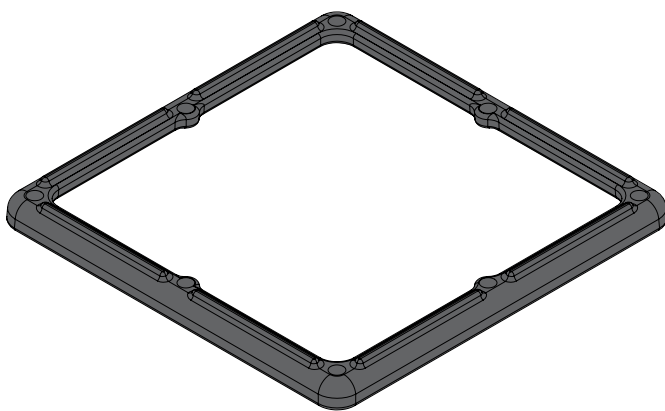
BLACK HARDWARE



Black Hardware (BH)

Black painted hardware.

BLACK OPTIC FRAME

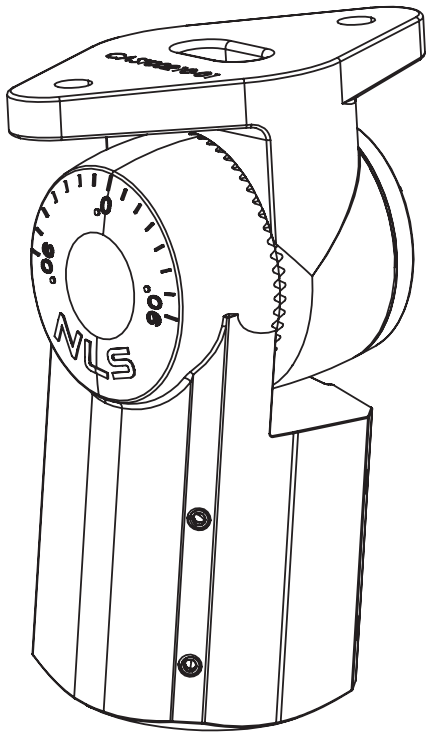


Black Optic Frame (BOF)

Optional Black Optic Frame.

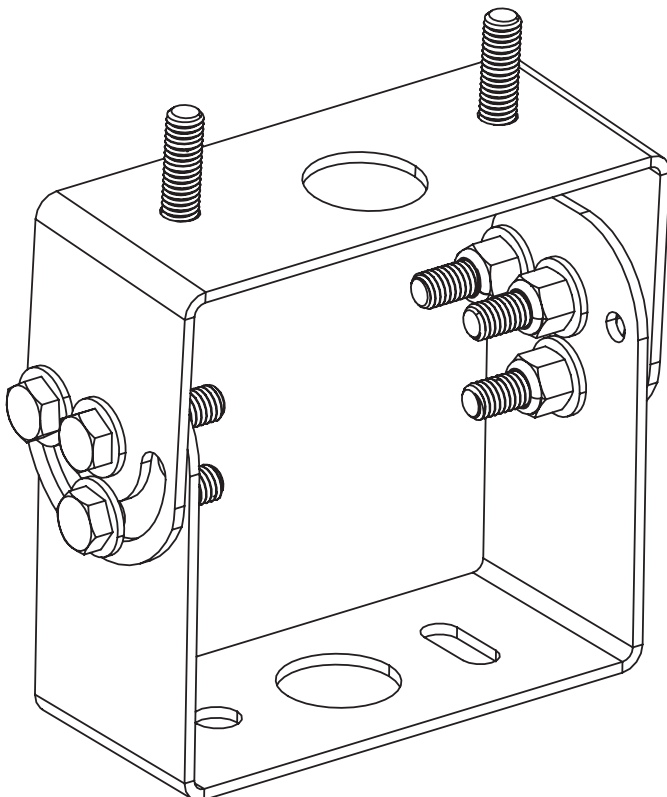
MOUNTING OPTIONS

KNUCKLE MOUNT 2 3/8" (KM)



(KM) Knuckle Mount fits over a 2-3/8" Tenon. Max tilt 180°.

TRUNNION MOUNT (TM)



(TM) Trunion Mount has a universal Mounting Pattern.