

LED WATTAGE CHART

Drive Current	16L
425 milliamps	22W (1208-2147 Lumens)
530 milliamps	28W (1829-3251 Lumens)
700 milliamps	37W (2415-4294 Lumens)
1050 milliamps	43W (2933-5214 Lumens)

**Form**

- Elegant Die-Cast Aluminum Housing
- Corrosion Resistant Stainless Steel External Hardware
- Sleek, Low Profile Housing
- Spec Grade Performance
- Engineered For Optimum Thermal Management
- 9 Architectural Finishes Standard, RAL Colors Available

**Function**

- Micro Optics IES Distributions T2, T3, T4, T5
- 0-10V Dimming Drivers THD @ Max Load < 15%
- Power factor @ Max Load < 0.95
- Amber, 2700K, 3000K, 3500K, 4000K, or 5000K
- 16L LED Configuration
- CRI 70, 80, or 90
- 5 Mils Powder Coat
- Up to 5,214 Lumens

**Reliability**

- Silicone Micro Optics
- 5 Year Standard Warranty
- IP67 Optics
- IP66 Fixture

**BUY AMERICAN**

To ensure the latest BAA/TAA/BABA Standards are being met, please select BAA, TAA, or BABA in the options section. Please contact the factory before placing an order for any NLS products requesting BAA (Buy American Act), TAA (Trade American Act), or BABA (Build America, Buy America).



Project Name:

Type:

# ORGANIX - 1 CEILING MOUNT ORDERING GUIDE

Cat#	Light Dist.	No. of LEDs	Milliamps	Kelvin Temp	Volts
Organix - 1 Ceiling Mount <b>(ORX-1)</b>	Type 2 <b>(T2)</b>	16 <b>(16L)</b>	425 <b>(42)</b>	Amber 585-600nm <b>(AMBER) ④⑤⑥</b>	120-277 <b>(UNV)</b>
	Type 3 <b>(T3)</b>		530 <b>(53)</b>	2700K, 70 CRI <b>(27K7)</b>	
	Type 4 <b>(T4)</b>		700 <b>(7)</b>	2700K, 80 CRI <b>(27K8) ①</b>	
	Type 5 <b>(T5)</b>		850 <b>(85)</b>	3000K, 70 CRI <b>(30K7)</b>	
				3000K, 80 CRI <b>(30K8) ①</b>	
				3500K, 80 CRI <b>(35K8)</b>	
				4000K, 70 CRI <b>(40K7)</b>	
				4000K, 80 CRI <b>(40K8) ①</b>	
				5000K, 70 CRI <b>(50K7)</b>	
				5000K, 80 CRI <b>(50K8) ①</b>	

Mounting	Color	Control Options	Options	Lens Options
Ceiling Mount <b>(CM)</b>	Bronze Textured <b>(BRZ)</b>	Microwave Motion Sensor <b>(MMS) ②</b>	Marine Grade Finish <b>(MGF)</b>	Clear Tempered Glass Lens <b>(CTG)</b>
	White Textured <b>(WHT)</b>	Emergency Battery 4w <b>(EM4)</b>	House Side Shield <b>(HSS)</b>	
	Smooth White Gloss <b>(SWT)</b>	Custom Controls Integration <b>(CCI) ③</b>	Tamper Proof Hardware <b>(TPH)</b>	
	Silver Textured <b>(SVR)</b>		Bird Shroud <b>(BSC) ②</b>	
	Black Textured <b>(BLK)</b>		Buy American <b>(BAA) ⑤</b>	
	Smooth Black Gloss <b>(SBK)</b>		Trade American <b>(TAA) ⑤</b>	
	Graphite Textured <b>(GPH)</b>		Build America Buy American <b>(BABA) ⑥</b>	
	Grey <b>(GRY)</b>			
	Green <b>(GRN)</b>			
	Custom <b>(CS)</b>			

**Notes:**

- ① Consult Factory For Lead Time. Consult Factory For 90 CRI Requests.
- ② Consult Factory
- ③ Please contact Factory for Custom Control Integration requests (nLight, NX, WaveLinx, Crestron, DMX/RDM, Synapse, Casambi, Dali II, Avi-On, or other control systems)
- ④ Turtle Safe
- ⑤ Consult factory for all BAA/TAA/BABA requests
- ⑥ Max mA 1050



701 Kingshill Place, Carson, CA 90746  
P: (310) 341-2037

nslighting.com

## PRODUCT SPECIFICATIONS

### ELECTRICAL

- 120-277 Volts (UNV)
- 0-10V dimming driver
- Driver power factor at maximum load is  $\geq .95$ , THD maximum load is 15%
- LED Drivers Ambient Temp. Min is  $-40^{\circ}\text{C}$  and Ambient Temp. Max ranges from  $50^{\circ}\text{C}$  to  $55^{\circ}\text{C}$  and, in some cases, even higher. Consult the factory for revalidation by providing the fixture catalog string before quoting and specifying it.
- All drivers, controls, and sensors housed in enclosed IP65 compartment
- CRI 70, 80 or 90
- Color temperatures: Amber, 2700K, 3000K, 3500K, 4000K, 5000K
- Surge Protection: 20KVA supplied as standard.

### CONSTRUCTION

- Die Cast Aluminum
- Internal cooling fins
- Corrosion resistant external hardware
- One-piece silicone gasket ensures IP66 seal for electronics compartment

### OPTICS

Silicone optics high thermal stability and light output provide higher powered LEDs with minimized lumen depreciation. UV stability with scratch resistance increases exterior application durability. Silicone optics do not yellow, crack or brittle over time

### CONTROL OPTIONS

- Button Type Photocell
- Microwave Motion Sensor
- Emergency Battery 4w
- Controls Agnostic: Please contact factory for your preferred controls option. (nLight, NX, WaveLinx, Crestron, DMX/RDM, Synapse, Casambi, DALI II, Avi-On, or other control systems)

### OPTIONS

- BIRD SPIKES (BS) - Offer an effective and humane deterrent for larger bird species and provide a cost-effective long-term solution to nuisance bird infestations and to protect your property.
- MARINE GRADE FINISH (MGF) - A multi-step process creating a protective finishing coat against harsh environments. Chemically washed in a 5-stage cleaning system. Pre-baked, Powder coated 3-5 mils of Zinc Rich Super Durable Polyester Primer. Oven Baked. Finished Powder Coating of Super Durable Polyester Powder Coat 3-5 mil thickness.
- House Side Shield (HSS) is designed for full property line cutoff.

### FINISH

- 3-5 mils electrostatic powder coat.
- NLS Lighting standard high-quality finishes prevent corrosion, and protects against extreme environmental conditions.

### WARRANTY

Five-year limited warranty for drivers and LEDs. Consult Factory for 7 or 10 year warranty

### LISTINGS

- Certified to UL 1598
- UL 8750
- CSA C22.2 No. 250.0
- IP66 Rated Fixture
- IP67 Rated Optics
- IK10 Rated

### BUY AMERICAN OPTION

While all of the NLS Lighting products listed in this document qualify for the Buy America(n) Act of 1933, we reserve the right to change our listings without notice.

The information provided above is for general informational purposes only. We encourage you to consult legal professionals for advice particular to your projects concerning BAA, TAA, BABA or Buy America.

Additional NLS Products that meet BAA, TAA standards can be found at the following link:

<https://nslighting.com/buy-american/>



The information and specifications on this document are subject to change without any notification. All values are design, nominal, typical or prorated values when measured under internal and external laboratory conditions.

**NLS**  
LIGHTING

701 Kingshill Place, Carson, CA 90746  
Call Us Today (310) 341-2037

[nslighting.com](http://nslighting.com)

# PRODUCT SPECIFICATIONS

LUMEN CHART

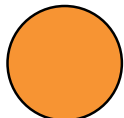
Part Number	T2	LM/W	T3	LM/W	T4	LM/W	T5	LM/W	T5 Diffused	LM/W	WATTS
ORX-1-CM-16L-425-27K7	1751	97	1756	98	1720	96	1838	102	1208	67	22
ORX-1-CM-16L-425-27K8	1640	91	1645	91	1610	89	1721	96	1131	63	22
ORX-1-CM-16L-425-30K8	1758	98	1763	98	1726	96	1845	102	1212	67	22
ORX-1-CM-16L-425-30K7	1893	105	1899	105	1859	103	1987	110	1306	73	22
ORX-1-CM-16L-425-35K8	1758	98	1763	98	1726	96	1845	102	1212	67	22
ORX-1-CM-16L-425-40K8	1893	105	1899	105	1859	103	1987	110	1306	73	22
ORX-1-CM-16L-425-40K7	2046	114	2052	114	2009	112	2147	119	1411	78	22
ORX-1-CM-16L-425-50K8	1893	105	1899	105	1859	103	1987	110	1306	73	22
ORX-1-CM-16L-425-50K7	2046	114	2052	114	2009	112	2147	119	1411	78	22
ORX-1-CM-16L-530-27K7	2652	95	2660	95	2604	93	2783	99	1829	65	28
ORX-1-CM-16L-530-27K8	2483	89	2490	89	2438	87	2606	93	1712	61	28
ORX-1-CM-16L-530-30K8	2662	95	2670	95	2614	93	2794	100	1836	66	28
ORX-1-CM-16L-530-30K7	2867	102	2876	103	2816	101	3009	107	1977	71	28
ORX-1-CM-16L-530-35K8	2662	95	2670	95	2614	93	2794	100	1836	66	28
ORX-1-CM-16L-530-40K8	2867	102	2876	103	2816	101	3009	107	1977	71	28
ORX-1-CM-16L-530-40K7	3098	111	3107	111	3042	109	3251	116	2136	76	28
ORX-1-CM-16L-530-50K8	2867	102	2876	103	2816	101	3009	107	1977	71	28
ORX-1-CM-16L-530-50K7	3098	111	3107	111	3042	109	3251	116	2136	76	28
ORX-1-CM-16L-700-27K7	3502	95	3513	95	3439	93	3676	99	2415	65	37
ORX-1-CM-16L-700-27K8	3279	89	3289	89	3220	87	3442	93	2261	61	37
ORX-1-CM-16L-700-30K8	3516	95	3526	95	3453	93	3690	100	2425	66	37
ORX-1-CM-16L-700-30K7	3786	102	3798	103	3719	101	3974	107	2611	71	37
ORX-1-CM-16L-700-35K8	3516	95	3526	95	3453	93	3690	100	2425	66	37
ORX-1-CM-16L-700-40K8	3786	102	3798	103	3719	101	3974	107	2611	71	37
ORX-1-CM-16L-700-40K7	4091	111	4104	111	4018	109	4294	116	2821	76	37
ORX-1-CM-16L-700-50K8	3786	102	3798	103	3719	101	3974	107	2611	71	37
ORX-1-CM-16L-700-50K7	4091	111	4104	111	4018	109	4294	116	2821	76	37
ORX-1-CM-16L-850-27K7	4253	99	4265	99	4176	97	4463	104	2933	68	43
ORX-1-CM-16L-850-27K8	3982	93	3994	93	3910	91	4179	97	2746	64	43
ORX-1-CM-16L-850-30K8	4269	99	4282	100	4193	98	4481	104	2944	68	43
ORX-1-CM-16L-850-30K7	4598	107	4612	107	4516	105	4826	112	3171	74	43
ORX-1-CM-16L-850-35K8	4269	99	4282	100	4193	98	4481	104	2944	68	43
ORX-1-CM-16L-850-40K8	4598	107	4612	107	4516	105	4826	112	3171	74	43
ORX-1-CM-16L-850-40K7	4968	116	4983	116	4879	113	5214	121	3426	80	43
ORX-1-CM-16L-850-50K8	4598	107	4612	107	4516	105	4826	112	3171	74	43
ORX-1-CM-16L-850-50K7	4968	116	4983	116	4879	113	5214	121	3426	80	43

Lumen Maintenance Data

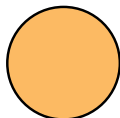
Ambient Temperature	Drive Current	L90 Hours*	L70 Hours**	30,000 Hours*	50,000 Hours*	60,000 Hours*	100,000 Hours**
25°C	Up to 700mA	58,000	173,000	95.7%	91.6%	89.6%	82.1%
	850mA	48,000	143,000	94.3%	89.5%	87.2%	78.5%

\*Reported extrapolations per IESNA TM-21      \*\*Projected extrapolations per IESNA TM-21

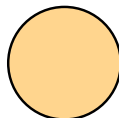
## LED KELVIN RANGE



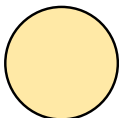
AMBER  
585-600 nm



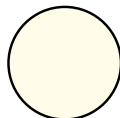
2700K 70 CRI



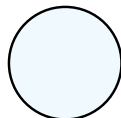
3000K 70 CRI



3500K 80 CRI



4000K 70 CRI



5000K 70 CRI

Color	Dominant or Peak Wavelength Range (nm)	
	Minimum	Maximum
Amber	585	600

# PRODUCT SPECIFICATIONS

B.U.G. RATING CHART

Part Number	T2 B.U.G.	T3 B.U.G.	T4 B.U.G.	T5 B.U.G.	T5 Diffused B.U.G.	WATTS
ORX-1-CM-16L-425-27K7	B1-U0-B1	B1-U0-B1	B1-U0-B1	B2-U0-B1	B1-U0-G0	22
ORX-1-CM-16L-425-27K8	B1-U0-B1	B1-U0-B1	B1-U0-B1	B2-U0-B1	B1-U0-G0	22
ORX-1-CM-16L-425-30K8	B1-U0-B1	B1-U0-B1	B1-U0-B1	B2-U0-B1	B1-U0-G0	22
ORX-1-CM-16L-425-30K7	B1-U0-B1	B1-U0-B1	B1-U0-B1	B2-U0-B1	B1-U0-G0	22
ORX-1-CM-16L-425-35K8	B1-U0-B1	B1-U0-B1	B1-U0-B1	B2-U0-B1	B1-U0-G0	22
ORX-1-CM-16L-425-40K8	B1-U0-B1	B1-U0-B1	B1-U0-B1	B2-U0-B1	B1-U0-G0	22
ORX-1-CM-16L-425-40K7	B1-U0-B1	B1-U0-B1	B1-U0-B1	B2-U0-B1	B1-U0-G0	22
ORX-1-CM-16L-425-50K8	B1-U0-B1	B1-U0-B1	B1-U0-B1	B2-U0-B1	B1-U0-G0	22
ORX-1-CM-16L-425-50K7	B1-U0-B1	B1-U0-B1	B1-U0-B1	B2-U0-B1	B1-U0-G0	22
ORX-1-CM-16L-530-27K7	B1-U0-B1	B1-U0-B1	B1-U0-B1	B2-U0-B1	B1-U0-G1	28
ORX-1-CM-16L-530-27K8	B1-U0-B1	B1-U0-B1	B1-U0-B1	B2-U0-B1	B1-U0-G0	28
ORX-1-CM-16L-530-30K8	B1-U0-B1	B1-U0-B1	B1-U0-B1	B2-U0-B1	B1-U0-G1	28
ORX-1-CM-16L-530-30K7	B1-U0-B1	B1-U0-B1	B1-U0-B1	B2-U0-B1	B1-U0-G1	28
ORX-1-CM-16L-530-35K8	B1-U0-B1	B1-U0-B1	B1-U0-B1	B2-U0-B1	B1-U0-G1	28
ORX-1-CM-16L-530-40K8	B1-U0-B1	B1-U0-B1	B1-U0-B1	B2-U0-B1	B1-U0-G1	28
ORX-1-CM-16L-530-40K7	B1-U0-B1	B1-U0-B1	B1-U0-B1	B2-U0-B1	B1-U0-G1	28
ORX-1-CM-16L-530-50K8	B1-U0-B1	B1-U0-B1	B1-U0-B1	B2-U0-B1	B1-U0-G1	28
ORX-1-CM-16L-530-50K7	B1-U0-B1	B1-U0-B1	B1-U0-B1	B2-U0-B1	B1-U0-G1	28
ORX-1-CM-16L-700-27K7	B1-U0-B1	B1-U0-B1	B1-U0-B1	B2-U0-B1	B1-U0-G1	37
ORX-1-CM-16L-700-27K8	B1-U0-B1	B1-U0-B1	B1-U0-B1	B2-U0-B1	B1-U0-G1	37
ORX-1-CM-16L-700-30K8	B1-U0-B1	B1-U0-B1	B1-U0-B1	B2-U0-B1	B1-U0-G1	37
ORX-1-CM-16L-700-30K7	B1-U0-B1	B1-U0-B1	B1-U0-B1	B3-U0-B1	B1-U0-G1	37
ORX-1-CM-16L-700-35K8	B1-U0-B1	B1-U0-B1	B1-U0-B1	B2-U0-B1	B1-U0-G1	37
ORX-1-CM-16L-700-40K8	B1-U0-B1	B1-U0-B1	B1-U0-B1	B3-U0-B1	B1-U0-G1	37
ORX-1-CM-16L-700-40K7	B1-U0-B1	B1-U0-B1	B1-U0-B1	B3-U0-B1	B1-U0-G1	37
ORX-1-CM-16L-700-50K8	B1-U0-B1	B1-U0-B1	B1-U0-B1	B3-U0-B1	B1-U0-G1	37
ORX-1-CM-16L-700-50K7	B1-U0-B1	B1-U0-B1	B1-U0-B1	B3-U0-B1	B1-U0-G1	37
ORX-1-CM-16L-850-27K7	B1-U0-B1	B1-U0-B1	B1-U0-B1	B3-U0-B1	B1-U0-G1	43
ORX-1-CM-16L-850-27K8	B1-U0-B1	B1-U0-B1	B1-U0-B1	B3-U0-B1	B1-U0-G1	43
ORX-1-CM-16L-850-30K8	B1-U0-B1	B1-U0-B1	B1-U0-B1	B3-U0-B1	B1-U0-G1	43
ORX-1-CM-16L-850-30K7	B1-U0-B1	B1-U0-B1	B1-U0-B1	B3-U0-B1	B1-U0-G1	43
ORX-1-CM-16L-850-35K8	B1-U0-B1	B1-U0-B1	B1-U0-B1	B3-U0-B1	B1-U0-G1	43
ORX-1-CM-16L-850-40K8	B1-U0-B1	B1-U0-B1	B1-U0-B1	B3-U0-B1	B1-U0-G1	43
ORX-1-CM-16L-850-40K7	B1-U0-B1	B1-U0-B1	B1-U0-B1	B3-U0-B1	B1-U0-G1	43
ORX-1-CM-16L-850-50K8	B1-U0-B1	B1-U0-B1	B1-U0-B1	B3-U0-B1	B1-U0-G1	43
ORX-1-CM-16L-850-50K7	B1-U0-B1	B1-U0-B1	B1-U0-B1	B3-U0-B1	B1-U0-G1	43

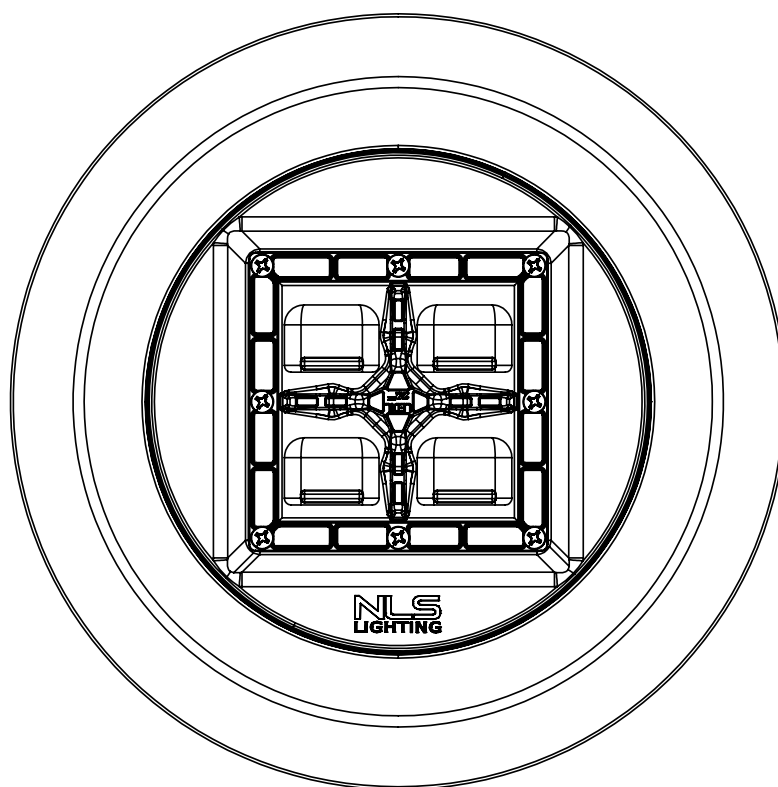
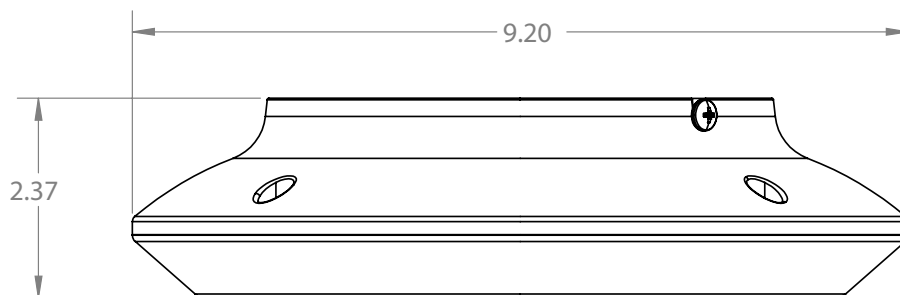


701 Kingshill Place, Carson, CA 90746  
Call Us Today (310) 341-2037

[nslighting.com](http://nslighting.com)

# PRODUCT SPECIFICATIONS

MODEL	WIDTH	HEIGHT	WEIGHT
ORX-PG1	9.20"	2.37"	4 LBS



SCAN FOR INSTALLATION INSTRUCTIONS



## PRODUCT SPECIFICATIONS

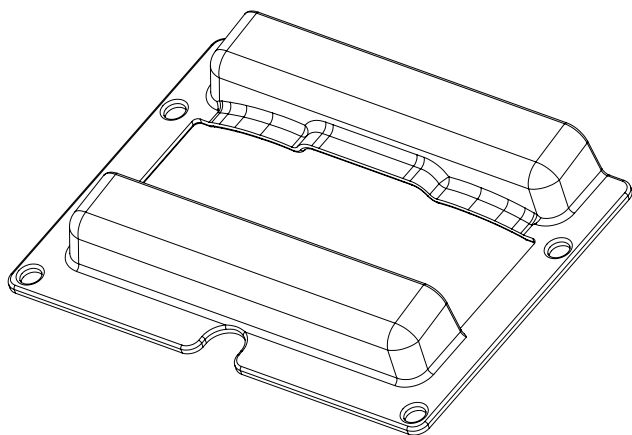
### MARINE GRADE FINISH (MGF)



### Marine Grade Finish (MGF)

The **(MGF)** is a multi step process. Chemically washed in a 5 stage cleaning system. Pre-baked. Powder coated 3-5 mils of Zinc Rich Super Durable Polyester Primer. Oven Baked. Finished Powder Coating of Super Durable Polyester Powder Coat 3-5 mil thickness.

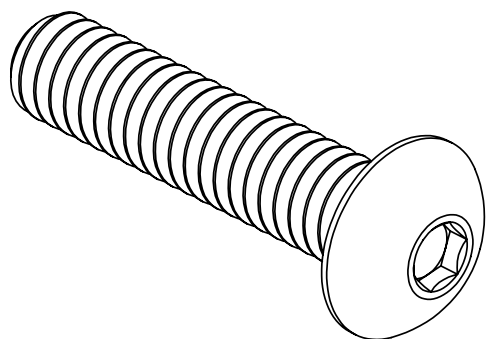
### HOUSE SIDE SHIELD (HSS)



### House Side Shield (HSS)

House Side Shield **(HSS)** is designed for stringent property line cutoff. Injection Molded Glass Filled Nylon, standard finish is black.

### TAMPER PROOF HARDWARE

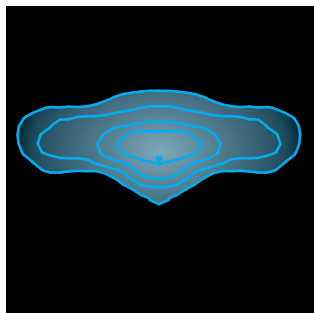
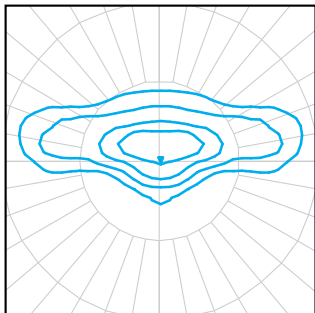


### Tamper Proof Hardware (TPH)

316 Stainless Steel Button Head Hex Drive Screws. Provided to protect the optical assembly and the driver compartment for vandal resistance.

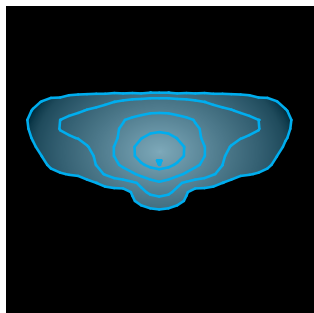
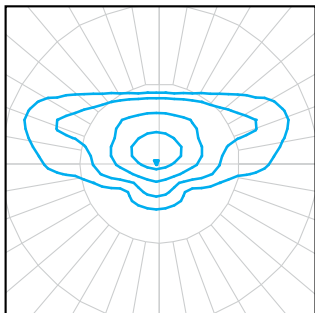
## PRODUCT SPECIFICATIONS

### IES DISTRIBUTIONS



#### T2 Optic

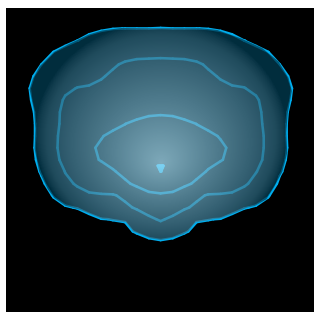
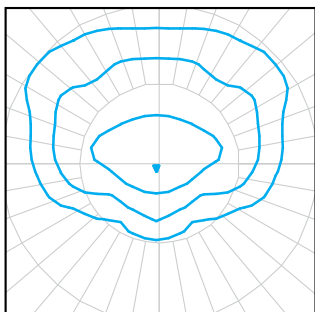
The Type II distribution is used for narrow pathways and trails, narrow entrances of shopping centers, parking lots and office complex's.



#### T3 Optic

The type III distribution is meant for roadway lighting, general parking areas and other areas where a larger area of lighting is required. Type III lighting needs to be placed to the side of the area, allowing the light to project outward and fill the area. This produces a filling light flow.

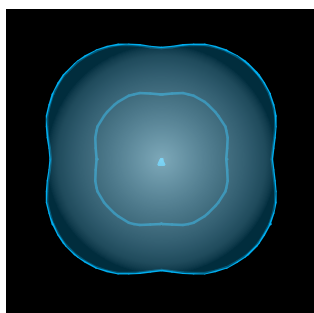
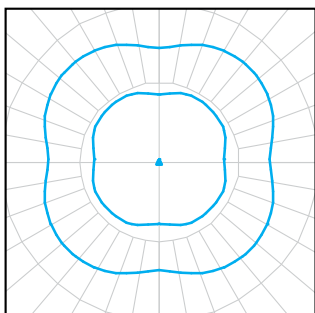
Type III light distributions have a preferred lateral width of 40 degrees. This distribution is intended for luminaires mounted at or near the side of medium width roadways or areas, where the width of the roadway or area does not exceed 2.75 times the mounting height.



#### T4 Optic

The type IV distribution produces a semicircular light meant for mounting on the sides of buildings and walls. It's best for illuminating the perimeter of parking areas and businesses. The intensity of the Type IV lighting has the same intensity at angles from 90 degrees to 270 degrees.

Type IV light distributions have a preferred lateral width of 60 degrees. This distribution is intended for side-of-road mounting and is generally used on wide roadways where the roadway width does not exceed 3.7 times the mounting height.



#### T5 Optic - Symmetrical

Type V produces a symmetrical distribution that has the same intensity at all angles. This distribution has a uniform symmetry of candlepower that is essentially the same at all lateral angles. It is meant for large, commercial parking lot lighting as well as areas where sufficient, evenly distributed light is necessary

### SILICONE OPTICS

NLS Lighting Silicone Micro Optical System technology takes quality and performance to the highest level. Vandal resistant, superior clarity—Micro Optics have become the best and lasting solution in the industry.

#### BENEFITS

- Produces superior 96% clarity
- Heat resistant to 150° C, 50% higher than acrylic
- Ecologically friendly—no glare
- Vandal-resistant
- Does not brittle, crack, or yellow over time

