

LED WATTAGE CHART

Drive Current	16L	32L	64L	64L VCS
350 milliamps	-	34W (2850-3782 Lumens)	68W (5700 - 7565 Lumens)	68W (4380-5643 Lumens)
400 milliamps	18W (1546-1873 Lumens)	-	-	-
530 milliamps	26W (2341-2836 Lumens)	52W (4316-5727 Lumens)	103W (8632-11455 Lumens)	103W (7315-8545 Lumens)
700 milliamps	34W (3092-3745 Lumens)	68W (5701-7564 Lumens)	137W (11401-15129 Lumens)	137W (9661-11286 Lumens)
1000 milliamps	-	-	200W (16287-21400 Lumens)	200W (13801-16123 Lumens)
1050 milliamps	51W (4638-5618 Lumens)	102W (8551-11347 Lumens)	-	-
1250 milliamps	-	125W (10340-13375 Lumens)	-	-
1400 milliamps	-	140W (11581-14980 Lumens)	-	-

Form

- Elegant Die-Cast Aluminum Housing
- Corrosion Resistant Stainless Steel External Hardware
- Sleek, Low Profile Housing
- Spec Grade Performance
- Engineered For Optimum Thermal Management
- 9 Architectural Finishes Standard, RAL Colors Available

Function

- Micro Optics IES Distributions T2, T3, T4, T5
- 0-10V Dimming Drivers THD @ Max Load < 15%
- Power factor @ Max Load < 0.95
- Amber, 2700K, 3000K, 3500K, 4000K, or 5000K
- 16L, 32L, or 64L LED Configuration
- CRI 70, 80, or 90
- 5 Mils Powder Coat
- Up to 21,400 Lumens

Reliability

- Silicone Micro Optics
- 5 Year Standard Warranty
- IP67 Optics
- IP66 Fixture

BUY AMERICAN

To ensure the latest BAA/TAA/BABA Standards are being met, please select BAA, TAA, or BABA in the options section. Please contact the factory before placing an order for any NLS products requesting BAA (Buy American Act), TAA (Trade American Act), or BABA (Build America, Buy America).



Project Name:

Type:

ORGANIX - 2 - POST TOP ORDERING GUIDE

Cat#	Light Dist.	No. of LEDs	Milliamps	Kelvin Temp	Volts
Organix - 2 Post Top (ORX-2)	Type 2 (T2)	16 (16L)	350 (35)	Amber 585-600nm (AMBER) ① ② ③	120-277 (UNV)
	Type 3 (T3)	32 (32L)	400 (40) ④	2700K, 70 CRI (27K7)	347-480 (HV)
	Type 4 (T4)	64 (64L)	530 (53)	2700K, 80 CRI (27K8) ①	
	Type 5 (T5)		700 (7)	3000K, 70 CRI (30K7)	
	Back Lit with Lens		1000 (1A)	3000K, 80 CRI (30K8) ①	
	Visual Comfort Symmetric (VCS) ⑤ ⑥		1050 (1) ⑦	3500K, 80 CRI (35K8)	
	Visual Comfort Assymmetric (VCA) ⑤ ⑥		1250 (12)	4000K, 70 CRI (40K7)	
			1400 (14)	4000K, 80 CRI (40K8) ①	
				5000K, 70 CRI (50K7)	
				5000K, 80 CRI (50K8) ①	

Mounting	Color	Control Options	Options	Lens Options
Single Arm Post Top Over 2.3/8" OD (SPT238)	Bronze Textured (BRZ)	Nema 7-Pin Receptacle (PE7)	Marine Grade Finish (MGF)	Diffused Polycarbonate Visual Comfort Lens (DPCL) ⑧
Single Arm Post Top Over 3.5" OD (SPT312)	White Textured (WHT)	Nema 7-Pin Receptacle +Shorting Cap (PER)	House Side Shield (HSS)	Clear Tempered Glass Lens (CTG) ⑧
Single Arm Post Top Wall Mount (SPTWM)	Smooth White Gloss (SWT)	Photocell+Receptacle (PCR)	Automotive House Side Shield (AHS)	
Single Arm Post Top Wall Mount (SPTWM)	Silver Textured (SVR)	FSP-211 with Motion Sensor (FSP-8) ② ③	Bird Spikes (BS)	
Double Arm Post Top Over 2.3/8" OD (DPT238)	Black Textured (BLK)	8' and Below Heights (FSP-20) ② ③	Tamper Proof Hardware (TPH)	
Double Arm Post Top Over 3.5" OD (DPT312)	Smooth Black Gloss (SBK)	9'-20' Heights (FSP-40) ② ③	Black Hardware (BH)	
Double Arm Post Top Over 3.5" OD (DPT312)	Graphite Textured (GPH)	21'-40' Heights	Black Optic Frame (BOF)	
Double Arm Post Top Wall Mount (DPTWM)	Grey (GRY)	Custom Controls Integration (CCI) ⑨	Buy American (BAA) ⑤	
	Green (GRN)	FSIR-100 Commissioning Remote (FSIR) ⑩	Trade American (TAA) ⑤	
	Custom (CS)		Build America Buy American (BABA) ⑤	

Notes:

- ① Consult Factory For Lead Time. Consult Factory For 90 CRI Requests.
- ② Universal Voltage 120-277
- ③ Please contact Factory for Custom Control Integration requests (nLight, NX, WaveLinX, Crestron, DMX/RDM, Synapse, Casambi, Dali II, Avi-On, or other control systems)
- ④ Turtle Safe
- ⑤ Consult factory for all BAA/TAA/BABA requests
- ⑥ Not Available in 64L
- ⑦ Consult Factory
- ⑧ Back Lit With Diffused Lens 64L Only
- ⑨ Not Available With Lens Options (VCA, VCS, DPCL, CTG)
- ⑩ DPCL & CTG lenses are for use with Type 2, Type 3, Type 4, & Type 5. VCA & VCS comes with a diffused lens
- ⑪ 16L Only
- ⑫ Projects with sensors require Qty. 1 FSIR per project
- ⑬ Max mA 1050
- ⑭ Consult Factory

PRODUCT SPECIFICATIONS

ELECTRICAL

- 120-277 Volts (UNV) or 347-480 Volts (HV)
- 0-10V dimming driver
- Driver power factor at maximum load is $\geq .95$, THD maximum load is 15%
- LED Drivers Ambient Temp. Min is -40°C and Ambient Temp. Max ranges from 50°C to 55°C and, in some cases, even higher. Consult the factory for revalidation by providing the fixture catalog string before quoting and specifying it.
- All drivers, controls, and sensors housed in enclosed IP65 compartment
- CRI 70, 80 or 90
- Color temperatures: Amber, 2700K, 3000K, 3500K, 4000K, 5000K
- Surge Protection: 20KVA supplied as standard.

CONSTRUCTION

- Die Cast Aluminum
- Internal cooling fins
- Corrosion resistant external hardware
- One-piece silicone gasket ensures IP66 seal for electronics compartment

OPTICS

Silicone optics high thermal stability and light output provide higher powered LEDs with minimized lumen depreciation. UV stability with scratch resistance increases exterior application durability. Silicone optics do not yellow, crack or brittle over time

CONTROL OPTIONS

CONTROL OPTIONS & FEATURES

- FSP-221 (FSP-X) - Passive infrared (PIR) sensor providing multi-level control based on motion/daylight contribution.
- All control parameters adjustable via wireless configuration remote storing and transmitting sensor profiles.
- * Party Setting Available (10% output) Consult Factory
- * Can maintain constant foot candles over time. Consult Factory
- FSP-20 mounting heights 9-20 feet
- FSP-40 mounting heights 21-40 feet.
- Includes 5 dimming event cycles, 0-10V dimming with motion sensing, re-programmable in the field. Programmable remote must be purchased separately.
- FSIR-100 is required to change sensor settings. Please contact factory for ordering.

- Controls Agnostics: Please contact factory for your preferred controls option.

- NEMA 7-PIN RECEPTACLE (PE7) - An ANSI C136.41-2013 receptacle provides electrical and mechanical interconnection between photo control cell and luminaire. Dimming receptacle available two or four dimming contacts supports 0-10 VDC dimming methods or Digital Addressable Lighting Interface (DALI), providing reliable power interconnect.

- RECEPTACLE + SHORTING CAP (PER) - 7-Pin Receptacle and Shorting Cap.

- PHOTOCELL + RECEPTACLE (PCR) - 7-Pin Receptacle and Photocell.

- Controls Agnostic: Please contact factory for your preferred controls option. (nLight, NX, WaveLinx, Crestron, DMX/RDM, Synapse, Casambi, DALI II, Avi-On, or other control systems)

OPTIONS

- BIRD SPIKES (BS) - Offer an effective and humane deterrent for larger bird species and provide a cost-effective long-term solution to nuisance bird infestations and to protect your property.

- MARINE GRADE FINISH (MGF) - A multi-step process creating a protective finishing coat against harsh environments. Chemically washed in a 5-stage cleaning system. Pre-baked, Powder coated 3-5 mils of Zinc Rich Super Durable Polyester Primer. Oven Baked. Finished Powder Coating of Super Durable Polyester Powder Coat 3-5 mil thickness.

- House Side Shield (HSS) is designed for full property line cutoff

- Automotive House Side Shield (AHS)

- Tamper Proof Hardware (TPH)

- Black Hardware (BH)

- Black Optic Frame (BOF)

- Single and Double Fusing

FINISH

- 3-5 mils electrostatic powder coat.
- NLS Lighting standard high-quality finishes prevent corrosion, and protects against extreme environmental conditions.

WARRANTY

Five-year limited warranty for drivers and LEDs. Consult Factory for 7 or 10 year warranty

LISTINGS

- Certified to UL 1598
- UL 8750
- CSA C22.2 No. 250.0
- IP66 Rated Fixture
- IP67 Rated Optics
- IK10 Rated

BUY AMERICAN OPTION

While all of the NLS Lighting products listed in this document qualify for the Buy America(n) Act of 1933, we reserve the right to change our listings without notice.

The information provided above is for general informational purposes only. We encourage you to consult legal professionals for advice particular to your projects concerning BAA, TAA, BABA or Buy America.

Additional NLS Products that meet BAA, TAA standards can be found at the following link:

<https://nslighting.com/buy-american/>



The information and specifications on this document are subject to change without any notification. All values are design, nominal, typical or prorated values when measured under internal and external laboratory conditions.

NLS
LIGHTING

701 Kingshill Place, Carson, CA 90746
Call Us Today (310) 341-2037

nslighting.com

PRODUCT SPECIFICATIONS

SINGLE ARM POST TOP LUMENS

LUMEN CHART									
Part Number	T2	LM/W	T3	LM/W	T4	LM/W	T5	LM/W	WATTS
ORX-2-SPT-16L-400-27K7	1593	89	1593	88	1582	88	1590	88	18
ORX-2-SPT-16L-400-27K8	1492	83	1491	83	1481	82	1489	83	18
ORX-2-SPT-16L-400-30K8	1600	89	1599	89	1588	88	1596	89	18
ORX-2-SPT-16L-400-30K7	1723	96	1722	96	1711	95	1719	95	18
ORX-2-SPT-16L-400-35K8	1600	89	1599	89	1588	88	1596	89	18
ORX-2-SPT-16L-400-40K8	1723	96	1722	96	1711	95	1719	95	18
ORX-2-SPT-16L-400-40K7	1861	103	1860	103	1848	103	1857	103	18
ORX-2-SPT-16L-400-50K8	1723	96	1722	96	1711	95	1719	95	18
ORX-2-SPT-16L-400-50K7	1861	103	1860	103	1848	103	1857	103	18
ORX-2-SPT-16L-530-27K7	2413	93	2412	93	2396	92	2407	93	26
ORX-2-SPT-16L-530-27K8	2259	87	2258	87	2243	86	2254	87	26
ORX-2-SPT-16L-530-30K8	2422	93	2421	93	2405	93	2417	93	26
ORX-2-SPT-16L-530-30K7	2609	100	2607	100	2590	100	2603	100	26
ORX-2-SPT-16L-530-35K8	2422	93	2421	93	2405	93	2417	93	26
ORX-2-SPT-16L-530-40K8	2609	100	2607	100	2590	100	2603	100	26
ORX-2-SPT-16L-530-40K7	2819	108	2817	108	2799	108	2812	108	26
ORX-2-SPT-16L-530-50K8	2609	100	2607	100	2590	100	2603	100	26
ORX-2-SPT-16L-530-50K7	2819	108	2817	108	2799	108	2812	108	26
ORX-2-SPT-16L-700-27K7	3187	94	3185	94	3164	93	3180	94	34
ORX-2-SPT-16L-700-27K8	2984	88	2982	88	2963	87	2977	88	34
ORX-2-SPT-16L-700-30K8	3199	94	3197	94	3177	93	3192	94	34
ORX-2-SPT-16L-700-30K7	3446	101	3444	101	3421	101	3438	101	34
ORX-2-SPT-16L-700-35K8	3199	94	3197	94	3177	93	3192	94	34
ORX-2-SPT-16L-700-40K8	3446	101	3444	101	3421	101	3438	101	34
ORX-2-SPT-16L-700-40K7	3723	109	3721	109	3697	109	3714	109	34
ORX-2-SPT-16L-700-50K8	3446	101	3444	101	3421	101	3438	101	34
ORX-2-SPT-16L-700-50K7	3723	109	3721	109	3697	109	3714	109	34
ORX-2-SPT-16L-1050-27K7	4780	94	4778	94	4746	93	4769	94	51
ORX-2-SPT-16L-1050-27K8	4476	88	4473	88	4444	87	4466	88	51
ORX-2-SPT-16L-1050-30K8	4799	94	4796	94	4765	93	4788	94	51
ORX-2-SPT-16L-1050-30K7	5168	101	5166	101	5132	101	5157	101	51
ORX-2-SPT-16L-1050-35K8	4799	94	4796	94	4765	93	4788	94	51
ORX-2-SPT-16L-1050-40K8	5168	101	5166	101	5132	101	5157	101	51
ORX-2-SPT-16L-1050-40K7	5584	109	5581	109	5545	109	5572	109	51
ORX-2-SPT-16L-1050-50K8	5168	101	5166	101	5132	101	5157	101	51
ORX-2-SPT-16L-1050-50K7	5584	109	5581	109	5545	109	5572	109	51



701 Kingshill Place, Carson, CA 90746
Call Us Today (310) 341-2037

nslighting.com

PRODUCT SPECIFICATIONS

SINGLE ARM POST TOP LUMENS

LUMEN CHART									
Part Number	T2	LM/W	T3	LM/W	T4	LM/W	T5	LM/W	WATTS
ORX-2-SPT-32L-350-27K7	3187	94	3185	94	3164	93	3180	94	34
ORX-2-SPT-32L-350-27K8	2984	88	2982	88	2963	87	2977	88	34
ORX-2-SPT-32L-350-30K8	3199	94	3197	94	3177	93	3192	94	34
ORX-2-SPT-32L-350-30K7	3446	101	3444	101	3421	101	3438	101	34
ORX-2-SPT-32L-350-35K8	3199	94	3197	94	3177	93	3192	94	34
ORX-2-SPT-32L-350-40K8	3446	101	3444	101	3421	101	3438	101	34
ORX-2-SPT-32L-350-40K7	3723	109	3721	109	3697	109	3714	109	34
ORX-2-SPT-32L-350-50K8	3446	101	3444	101	3421	101	3438	101	34
ORX-2-SPT-32L-350-50K7	3723	109	3721	109	3697	109	3714	109	34
ORX-2-SPT-32L-530-27K7	4826	93	4823	93	4792	92	4815	93	52
ORX-2-SPT-32L-530-27K8	4518	87	4516	87	4487	86	4508	87	52
ORX-2-SPT-32L-530-30K8	4844	93	4842	93	4810	93	4833	93	52
ORX-2-SPT-32L-530-30K7	5218	100	5215	100	5181	100	5206	100	52
ORX-2-SPT-32L-530-35K8	4844	93	4842	93	4810	93	4833	93	52
ORX-2-SPT-32L-530-40K8	5218	100	5215	100	5181	100	5206	100	52
ORX-2-SPT-32L-530-40K7	5638	108	5634	108	5598	108	5625	108	52
ORX-2-SPT-32L-530-50K8	5218	100	5215	100	5181	100	5206	100	52
ORX-2-SPT-32L-530-50K7	5638	108	5634	108	5598	108	5625	108	52
ORX-2-SPT-32L-700-27K7	6374	94	6370	94	6329	93	6359	94	68
ORX-2-SPT-32L-700-27K8	5968	88	5965	88	5926	87	5954	88	68
ORX-2-SPT-32L-700-30K8	6398	94	6395	94	6353	93	6384	94	68
ORX-2-SPT-32L-700-30K7	6891	101	6887	101	6843	101	6875	101	68
ORX-2-SPT-32L-700-35K8	6398	94	6395	94	6353	93	6384	94	68
ORX-2-SPT-32L-700-40K8	6891	101	6887	101	6843	101	6875	101	68
ORX-2-SPT-32L-700-40K7	7446	109	7442	109	7393	109	7429	109	68
ORX-2-SPT-32L-700-50K8	6891	101	6887	101	6843	101	6875	101	68
ORX-2-SPT-32L-700-50K7	7446	109	7442	109	7393	109	7429	109	68
ORX-2-SPT-32L-1050-27K7	9560	94	9555	94	9493	93	9539	94	102
ORX-2-SPT-32L-1050-27K8	8952	88	8947	88	8889	87	8931	88	102
ORX-2-SPT-32L-1050-30K8	9598	94	9592	94	9530	93	9576	94	102
ORX-2-SPT-32L-1050-30K7	10337	101	10331	101	10264	101	10313	101	102
ORX-2-SPT-32L-1050-35K8	9598	94	9592	94	9530	93	9576	94	102
ORX-2-SPT-32L-1050-40K8	10337	101	10331	101	10264	101	10313	101	102
ORX-2-SPT-32L-1050-40K7	11169	109	11163	109	11090	109	11143	109	102
ORX-2-SPT-32L-1050-50K8	10337	101	10331	101	10264	101	10313	101	102
ORX-2-SPT-32L-1050-50K7	11169	109	11163	109	11090	109	11143	109	102
ORX-2-SPT-32L-1250-27K7	11381	91	11375	91	11301	90	11355	91	125
ORX-2-SPT-32L-1250-27K8	10657	85	10651	85	10581	85	10632	85	125
ORX-2-SPT-32L-1250-30K8	11426	91	11420	91	11345	91	11399	91	125
ORX-2-SPT-32L-1250-30K7	12305	98	12299	98	12218	98	12277	98	125
ORX-2-SPT-32L-1250-35K8	11426	91	11420	91	11345	91	11399	91	125
ORX-2-SPT-32L-1250-40K8	12305	98	12299	98	12218	98	12277	98	125
ORX-2-SPT-32L-1250-40K7	13296	106	13289	106	13202	106	13265	106	125
ORX-2-SPT-32L-1250-50K8	12305	98	12299	98	12218	98	12277	98	125
ORX-2-SPT-32L-1250-50K7	13296	106	13289	106	13202	106	13265	106	125
ORX-2-SPT-32L-1400-27K7	12747	91	12741	91	12658	90	12718	91	140
ORX-2-SPT-32L-1400-27K8	11936	85	11929	85	11852	85	11908	85	140
ORX-2-SPT-32L-1400-30K8	12797	91	12790	91	12707	91	12767	91	140
ORX-2-SPT-32L-1400-30K7	13783	98	13775	98	13685	98	13750	98	140
ORX-2-SPT-32L-1400-35K8	12797	91	12790	91	12707	91	12767	91	140
ORX-2-SPT-32L-1400-40K8	13783	98	13775	98	13685	98	13750	98	140
ORX-2-SPT-32L-1400-40K7	14892	106	14884	106	14787	106	14857	106	140
ORX-2-SPT-32L-1400-50K8	13783	98	13775	98	13685	98	13750	98	140
ORX-2-SPT-32L-1400-50K7	14892	106	14884	106	14787	106	14857	106	140



701 Kingshill Place, Carson, CA 90746
Call Us Today (310) 341-2037

nslighting.com

PRODUCT SPECIFICATIONS

SINGLE ARM POST TOP LUMENS

LUMEN CHART											
Part Number	T2	LM/W	T3	LM/W	T4	LM/W	T5	LM/W	VCS	LM/W	WATTS
ORX-2-SPT-64L-350-27K7	6374	94	6370	94	6329	93	6359	94	-	-	68
ORX-2-SPT-64L-350-27K8	5968	88	5964	88	5926	87	5954	88	-	-	68
ORX-2-SPT-64L-350-30K8	6398	94	6395	94	6353	93	6384	94	-	-	68
ORX-2-SPT-64L-350-30K7	6891	101	6887	101	6843	101	6875	101	-	-	68
ORX-2-SPT-64L-350-35K8	6398	94	6395	94	6353	93	6384	94	-	-	68
ORX-2-SPT-64L-350-40K8	6891	101	6887	101	6843	101	6875	101	-	-	68
ORX-2-SPT-64L-350-40K7	7446	109	7442	109	7393	109	7429	109	-	-	68
ORX-2-SPT-64L-350-50K8	6891	101	6887	101	6843	101	6875	101	-	-	68
ORX-2-SPT-64L-350-50K7	7446	109	7442	109	7393	109	7429	109	-	-	68
ORX-2-SPT-64L-530-27K7	9652	94	9646	94	9583	93	9629	93	-	-	103
ORX-2-SPT-64L-530-27K8	9037	88	9032	88	8973	87	9016	88	-	-	103
ORX-2-SPT-64L-530-30K8	9689	94	9684	94	9621	93	9667	94	-	-	103
ORX-2-SPT-64L-530-30K7	10435	101	10429	101	10362	101	10411	101	-	-	103
ORX-2-SPT-64L-530-35K8	9689	94	9684	94	9621	93	9667	94	-	-	103
ORX-2-SPT-64L-530-40K8	10435	101	10429	101	10362	101	10411	101	-	-	103
ORX-2-SPT-64L-530-40K7	11275	109	11269	109	11196	109	11249	109	-	-	103
ORX-2-SPT-64L-530-50K8	10435	101	10429	101	10362	101	10411	101	-	-	103
ORX-2-SPT-64L-530-50K7	11275	109	11269	109	11196	109	11249	109	-	-	103
ORX-2-SPT-64L-700-27K7	12747	93	12740	93	12657	92	12718	93	-	-	137
ORX-2-SPT-64L-700-27K8	11936	87	11929	87	11852	87	11908	87	-	-	137
ORX-2-SPT-64L-700-30K8	12797	93	12790	93	12707	93	12767	93	-	-	137
ORX-2-SPT-64L-700-30K7	13782	101	13775	101	13685	100	13751	100	-	-	137
ORX-2-SPT-64L-700-35K8	12797	93	12790	93	12707	93	12767	93	-	-	137
ORX-2-SPT-64L-700-40K8	13782	101	13775	101	13685	100	13751	100	-	-	137
ORX-2-SPT-64L-700-40K7	14892	109	14883	109	14787	108	14858	108	-	-	137
ORX-2-SPT-64L-700-50K8	13782	101	13775	101	13685	100	13751	100	-	-	137
ORX-2-SPT-64L-700-50K7	14892	109	14883	109	14787	108	14858	108	-	-	137
ORX-2-SPT-64L-1-27K7	18210	91	18200	91	18082	90	18169	91	-	-	200
ORX-2-SPT-64L-1A-27K8	17051	85	17041	85	16931	85	17012	85	-	-	200
ORX-2-SPT-64L-1A-30K8	18281	91	18271	91	18152	91	18239	91	-	-	200
ORX-2-SPT-64L-1A-30K7	19689	98	19678	98	19550	98	19644	98	-	-	200
ORX-2-SPT-64L-1A-35K8	18281	91	18271	91	18152	91	18239	91	-	-	200
ORX-2-SPT-64L-1A-40K8	19689	98	19678	98	19550	98	19644	98	-	-	200
ORX-2-SPT-64L-1A-40K7	21274	106	21262	106	21124	106	21225	106	-	-	200
ORX-2-SPT-64L-1A-50K8	19689	98	19678	98	19550	98	19644	98	-	-	200
ORX-2-SPT-64L-1A-50K7	21274	106	21262	106	21124	106	21225	106	-	-	200



701 Kingshill Place, Carson, CA 90746
Call Us Today (310) 341-2037

nslighting.com

PRODUCT SPECIFICATIONS

DOUBLE ARM POST TOP LUMENS

LUMEN CHART									
Part Number	T2	LM/W	T3	LM/W	T4	LM/W	T5	LM/W	WATTS
ORX-2-DPT-16L-400-27K7	1567	87	1554	86	1546	86	1603	89	18
ORX-2-DPT-16L-400-27K8	1467	82	1455	81	1448	80	1501	83	18
ORX-2-DPT-16L-400-30K8	1573	87	1560	87	1552	86	1609	89	18
ORX-2-DPT-16L-400-30K7	1694	94	1681	93	1672	93	1733	96	18
ORX-2-DPT-16L-400-35K8	1573	87	1560	87	1552	86	1609	89	18
ORX-2-DPT-16L-400-40K8	1694	94	1681	93	1672	93	1733	96	18
ORX-2-DPT-16L-400-40K7	1830	102	1816	101	1806	100	1873	104	18
ORX-2-DPT-16L-400-50K8	1694	94	1681	93	1672	93	1733	96	18
ORX-2-DPT-16L-400-50K7	1830	102	1816	101	1806	100	1873	104	18
ORX-2-DPT-16L-530-27K7	2373	91	2354	91	2341	90	2427	93	26
ORX-2-DPT-16L-530-27K8	2222	85	2204	85	2192	84	2273	87	26
ORX-2-DPT-16L-530-30K8	2382	92	2363	91	2350	90	2437	94	26
ORX-2-DPT-16L-530-30K7	2565	99	2545	98	2531	97	2624	101	26
ORX-2-DPT-16L-530-35K8	2382	92	2363	91	2350	90	2437	94	26
ORX-2-DPT-16L-530-40K8	2565	99	2545	98	2531	97	2624	101	26
ORX-2-DPT-16L-530-40K7	2772	107	2750	106	2735	105	2836	109	26
ORX-2-DPT-16L-530-50K8	2565	99	2545	98	2531	97	2624	101	26
ORX-2-DPT-16L-530-50K7	2772	107	2750	106	2735	105	2836	109	26
ORX-2-DPT-16L-700-27K7	3134	92	3109	91	3092	91	3206	94	34
ORX-2-DPT-16L-700-27K8	2934	86	2911	86	2895	85	3002	88	34
ORX-2-DPT-16L-700-30K8	3146	93	3121	92	3104	91	3218	95	34
ORX-2-DPT-16L-700-30K7	3388	100	3361	99	3343	98	3466	102	34
ORX-2-DPT-16L-700-35K8	3146	93	3121	92	3104	91	3218	95	34
ORX-2-DPT-16L-700-40K8	3388	100	3361	99	3343	98	3466	102	34
ORX-2-DPT-16L-700-40K7	3661	108	3632	107	3612	106	3745	110	34
ORX-2-DPT-16L-700-50K8	3388	100	3361	99	3343	98	3466	102	34
ORX-2-DPT-16L-700-50K7	3661	108	3632	107	3612	106	3745	110	34
ORX-2-DPT-16L-1050-27K7	4701	92	4663	91	4638	91	4809	94	51
ORX-2-DPT-16L-1050-27K8	4401	86	4366	86	4343	85	4503	88	51
ORX-2-DPT-16L-1050-30K8	4719	93	4681	92	4656	91	4827	95	51
ORX-2-DPT-16L-1050-30K7	5082	100	5042	99	5015	98	5199	102	51
ORX-2-DPT-16L-1050-35K8	4719	93	4681	92	4656	91	4827	95	51
ORX-2-DPT-16L-1050-40K8	5082	100	5042	99	5015	98	5199	102	51
ORX-2-DPT-16L-1050-40K7	5491	108	5447	107	5418	106	5618	110	51
ORX-2-DPT-16L-1050-50K8	5082	100	5042	99	5015	98	5199	102	51
ORX-2-DPT-16L-1050-50K7	5491	108	5447	107	5418	106	5618	110	51

PRODUCT SPECIFICATIONS

DOUBLE ARM POST TOP LUMENS

LUMEN CHART									
Part Number	T2	LM/W	T3	LM/W	T4	LM/W	T5	LM/W	WATTS
ORX-2-DPT-32L-350-27K7	3134	92	3109	91	3092	91	3206	94	34
ORX-2-DPT-32L-350-27K8	2934	86	2911	86	2895	85	3002	88	34
ORX-2-DPT-32L-350-30K8	3146	93	3121	92	3104	91	3218	95	34
ORX-2-DPT-32L-350-30K7	3388	100	3361	99	3343	98	3466	102	34
ORX-2-DPT-32L-350-35K8	3146	93	3121	92	3104	91	3218	95	34
ORX-2-DPT-32L-350-40K8	3388	100	3361	99	3343	98	3466	102	34
ORX-2-DPT-32L-350-40K7	3661	108	3632	107	3612	106	3745	110	34
ORX-2-DPT-32L-350-50K8	3388	100	3361	99	3343	98	3466	102	34
ORX-2-DPT-32L-350-50K7	3661	108	3632	107	3612	106	3745	110	34
ORX-2-DPT-32L-530-27K7	4745	91	4707	91	4682	90	4854	93	52
ORX-2-DPT-32L-530-27K8	4443	85	4408	85	4384	84	4545	87	52
ORX-2-DPT-32L-530-30K8	4764	92	4726	91	4700	90	4873	94	52
ORX-2-DPT-32L-530-30K7	5131	99	5090	98	5062	97	5249	101	52
ORX-2-DPT-32L-530-35K8	4764	92	4726	91	4700	90	4873	94	52
ORX-2-DPT-32L-530-40K8	5131	99	5090	98	5062	97	5249	101	52
ORX-2-DPT-32L-530-40K7	5544	107	5499	106	5470	105	5671	109	52
ORX-2-DPT-32L-530-50K8	5131	99	5090	98	5062	97	5249	101	52
ORX-2-DPT-32L-530-50K7	5544	107	5499	106	5470	105	5671	109	52
ORX-2-DPT-32L-700-27K7	6267	92	6217	91	6184	91	6412	94	68
ORX-2-DPT-32L-700-27K8	5868	86	5821	86	5790	85	6003	88	68
ORX-2-DPT-32L-700-30K8	6292	93	6241	92	6208	91	6437	95	68
ORX-2-DPT-32L-700-30K7	6776	100	6722	99	6686	98	6932	102	68
ORX-2-DPT-32L-700-35K8	6292	93	6241	92	6208	91	6437	95	68
ORX-2-DPT-32L-700-40K8	6776	100	6722	99	6686	98	6932	102	68
ORX-2-DPT-32L-700-40K7	7322	108	7263	107	7224	106	7490	110	68
ORX-2-DPT-32L-700-50K8	6776	100	6722	99	6686	98	6932	102	68
ORX-2-DPT-32L-700-50K7	7322	108	7263	107	7224	106	7490	110	68
ORX-2-DPT-32L-1050-27K7	9401	92	9326	91	9276	91	9617	94	102
ORX-2-DPT-32L-1050-27K8	8803	86	8732	86	8686	85	9005	88	102
ORX-2-DPT-32L-1050-30K8	9438	93	9362	92	9312	91	9655	95	102
ORX-2-DPT-32L-1050-30K7	10164	100	10083	99	10029	98	10398	102	102
ORX-2-DPT-32L-1050-35K8	9438	93	9362	92	9312	91	9655	95	102
ORX-2-DPT-32L-1050-40K8	10164	100	10083	99	10029	98	10398	102	102
ORX-2-DPT-32L-1050-40K7	10983	108	10895	107	10837	106	11235	110	102
ORX-2-DPT-32L-1050-50K8	10164	100	10083	99	10029	98	10398	102	102
ORX-2-DPT-32L-1050-50K7	10983	108	10895	107	10837	106	11235	110	102
ORX-2-DPT-32L-1250-27K7	11192	90	11102	89	11043	88	11449	92	125
ORX-2-DPT-32L-1250-27K8	10480	84	10395	83	10340	83	10720	86	125
ORX-2-DPT-32L-1250-30K8	11236	90	11145	89	11086	89	11493	92	125
ORX-2-DPT-32L-1250-30K7	12101	97	12004	96	11940	96	12379	99	125
ORX-2-DPT-32L-1250-35K8	11236	90	11145	89	11086	89	11493	92	125
ORX-2-DPT-32L-1250-40K8	12101	97	12004	96	11940	96	12379	99	125
ORX-2-DPT-32L-1250-40K7	13075	105	12970	104	12901	103	13375	107	125
ORX-2-DPT-32L-1250-50K8	12101	97	12004	96	11940	96	12379	99	125
ORX-2-DPT-32L-1250-50K7	13075	105	12970	104	12901	103	13375	107	125
ORX-2-DPT-32L-1400-27K7	12535	90	12435	89	12368	88	12823	92	140
ORX-2-DPT-32L-1400-27K8	11737	84	11643	83	11581	83	12006	86	140
ORX-2-DPT-32L-1400-30K8	12584	90	12483	89	12416	89	12873	92	140
ORX-2-DPT-32L-1400-30K7	13553	97	13445	96	13373	96	13864	99	140
ORX-2-DPT-32L-1400-35K8	12584	90	12483	89	12416	89	12873	92	140
ORX-2-DPT-32L-1400-40K8	13553	97	13445	96	13373	96	13864	99	140
ORX-2-DPT-32L-1400-40K7	14644	105	14527	104	14449	103	14980	107	140
ORX-2-DPT-32L-1400-50K8	13553	97	13445	96	13373	96	13864	99	140
ORX-2-DPT-32L-1400-50K7	14644	105	14527	104	14449	103	14980	107	140

PRODUCT SPECIFICATIONS

DOUBLE ARM POST TOP LUMENS

LUMEN CHART											
Part Number	T2	LM/W	T3	LM/W	T4	LM/W	T5	LM/W	VCS	LM/W	WATTS
ORX-2-DPT-64L-350-27K7	6267	92	6217	91	6184	91	6411	94	4830	71	68
ORX-2-DPT-64L-350-27K8	5868	86	5821	86	5790	85	6003	88	4523	67	68
ORX-2-DPT-64L-350-30K8	6292	93	6241	92	6208	91	6436	95	4849	71	68
ORX-2-DPT-64L-350-30K7	6776	100	6722	99	6686	98	6932	102	5223	77	68
ORX-2-DPT-64L-350-35K8	6292	93	6241	92	6208	91	6436	95	4849	71	68
ORX-2-DPT-64L-350-40K8	6776	100	6722	99	6686	98	6932	102	5223	77	68
ORX-2-DPT-64L-350-40K7	7322	108	7263	107	7224	106	7490	110	5643	83	68
ORX-2-DPT-64L-350-50K8	6776	100	6722	99	6686	98	6932	102	5223	77	68
ORX-2-DPT-64L-350-50K7	7322	108	7263	107	7224	106	7490	110	5643	83	68
ORX-2-DPT-64L-530-27K7	9490	92	9415	91	9364	91	9709	94	7315	71	103
ORX-2-DPT-64L-530-27K8	8886	86	8815	86	8768	85	9091	88	6849	66	103
ORX-2-DPT-64L-530-30K8	9527	92	9451	92	9401	91	9746	95	7343	71	103
ORX-2-DPT-64L-530-30K7	10261	100	10179	99	10125	98	10497	102	7909	77	103
ORX-2-DPT-64L-530-35K8	9527	92	9451	92	9401	91	9746	95	7343	71	103
ORX-2-DPT-64L-530-40K8	10261	100	10179	99	10125	98	10497	102	7909	77	103
ORX-2-DPT-64L-530-40K7	11087	108	10999	107	10940	106	11342	110	8545	83	103
ORX-2-DPT-64L-530-50K8	10261	100	10179	99	10125	98	10497	102	7909	77	103
ORX-2-DPT-64L-530-50K7	11087	108	10999	107	10940	106	11342	110	8545	83	103
ORX-2-DPT-64L-700-27K7	12535	91	12435	91	12368	90	12823	94	9661	71	137
ORX-2-DPT-64L-700-27K8	11737	86	11643	85	11581	85	12006	88	9046	66	137
ORX-2-DPT-64L-700-30K8	12583	92	12483	91	12416	91	12873	94	9698	71	137
ORX-2-DPT-64L-700-30K7	13552	99	13444	98	13372	98	13864	101	10445	76	137
ORX-2-DPT-64L-700-35K8	12583	92	12483	91	12416	91	12873	94	9698	71	137
ORX-2-DPT-64L-700-40K8	13552	99	13444	98	13372	98	13864	101	10445	76	137
ORX-2-DPT-64L-700-40K7	14643	107	14526	106	14449	105	14980	109	11286	82	137
ORX-2-DPT-64L-700-50K8	13552	99	13444	98	13372	98	13864	101	10445	76	137
ORX-2-DPT-64L-700-50K7	14643	107	14526	106	14449	105	14980	109	11286	82	137
ORX-2-DPT-64L-1A-27K7	17907	90	17764	89	17669	88	18318	92	13801	69	200
ORX-2-DPT-64L-1A-27K8	16766	84	16633	83	16544	83	17152	86	12922	65	200
ORX-2-DPT-64L-1A-30K8	17976	90	17833	89	17737	89	18390	92	13855	69	200
ORX-2-DPT-64L-1A-30K7	19361	97	19206	96	19103	96	19806	99	14922	75	200
ORX-2-DPT-64L-1A-35K8	17976	90	17833	89	17737	89	18390	92	13855	69	200
ORX-2-DPT-64L-1A-40K8	19361	97	19206	96	19103	96	19806	99	14922	75	200
ORX-2-DPT-64L-1A-40K7	20919	105	20752	104	20641	103	21400	107	16123	81	200
ORX-2-DPT-64L-1A-50K8	19361	97	19206	96	19103	96	19806	99	14922	75	200
ORX-2-DPT-64L-1A-50K7	20919	105	20752	104	20641	103	21400	107	16123	81	200

PRODUCT SPECIFICATIONS

DOUBLE ARM POST TOP B.U.G. RATINGS

B.U.G. CHART						
Part Number	T2 B.U.G.	T3 B.U.G.	T4 B.U.G.	T5 B.U.G.		WATTS
ORX-2-DPT-32L-350-27K7	B1-U2-G1	B1-U2-G1	B1-U2-G1	B2-U2-G1		34
ORX-2-DPT-32L-350-27K8	B1-U2-G1	B1-U2-G1	B1-U2-G1	B2-U2-G1		34
ORX-2-DPT-32L-350-30K8	B1-U2-G1	B1-U2-G1	B1-U2-G1	B2-U2-G1		34
ORX-2-DPT-32L-350-30K7	B1-U2-G1	B1-U2-G1	B1-U2-G1	B2-U2-G1		34
ORX-2-DPT-32L-350-35K8	B1-U2-G1	B1-U2-G1	B1-U2-G1	B2-U2-G1		34
ORX-2-DPT-32L-350-40K8	B1-U2-G1	B1-U2-G1	B1-U2-G1	B2-U2-G1		34
ORX-2-DPT-32L-350-40K7	B1-U2-G1	B1-U2-G1	B1-U2-G1	B2-U2-G1		34
ORX-2-DPT-32L-350-50K8	B1-U2-G1	B1-U2-G1	B1-U2-G1	B2-U2-G1		34
ORX-2-DPT-32L-350-50K7	B1-U2-G1	B1-U2-G1	B1-U2-G1	B2-U2-G1		34
ORX-2-DPT-32L-530-27K7	B1-U2-G1	B1-U2-G1	B1-U2-G1	B3-U2-G1		52
ORX-2-DPT-32L-530-27K8	B1-U2-G1	B1-U2-G1	B1-U2-G1	B3-U2-G1		52
ORX-2-DPT-32L-530-30K8	B1-U2-G1	B1-U2-G1	B1-U2-G1	B3-U2-G1		52
ORX-2-DPT-32L-530-30K7	B1-U2-G1	B1-U2-G1	B1-U2-G1	B3-U2-G1		52
ORX-2-DPT-32L-530-35K8	B1-U2-G1	B1-U2-G1	B1-U2-G1	B3-U2-G1		52
ORX-2-DPT-32L-530-40K8	B1-U2-G1	B1-U2-G1	B1-U2-G1	B3-U2-G1		52
ORX-2-DPT-32L-530-40K7	B1-U2-G1	B1-U2-G1	B1-U2-G1	B3-U2-G1		52
ORX-2-DPT-32L-530-50K8	B1-U2-G1	B1-U2-G1	B1-U2-G1	B3-U2-G1		52
ORX-2-DPT-32L-530-50K7	B1-U2-G1	B1-U2-G1	B1-U2-G1	B3-U2-G1		52
ORX-2-DPT-32L-700-27K7	B1-U2-G1	B2-U2-G2	B2-U2-G2	B3-U2-G1		68
ORX-2-DPT-32L-700-27K8	B1-U2-G1	B2-U2-G2	B2-U2-G2	B3-U2-G1		68
ORX-2-DPT-32L-700-30K8	B1-U2-G1	B2-U2-G2	B2-U2-G2	B3-U2-G1		68
ORX-2-DPT-32L-700-30K7	B1-U2-G2	B2-U2-G2	B2-U2-G2	B3-U3-G1		68
ORX-2-DPT-32L-700-35K8	B1-U2-G1	B2-U2-G2	B2-U2-G2	B3-U2-G1		68
ORX-2-DPT-32L-700-40K8	B1-U2-G2	B2-U2-G2	B2-U2-G2	B3-U3-G1		68
ORX-2-DPT-32L-700-40K7	B2-U2-G2	B2-U2-G2	B2-U2-G2	B3-U3-G2		68
ORX-2-DPT-32L-700-50K8	B1-U2-G2	B2-U2-G2	B2-U2-G2	B3-U3-G1		68
ORX-2-DPT-32L-700-50K7	B2-U2-G2	B2-U2-G2	B2-U2-G2	B3-U3-G2		68
ORX-2-DPT-32L-1050-27K7	B2-U3-G2	B2-U3-G2	B2-U3-G2	B3-U3-G2		102
ORX-2-DPT-32L-1050-27K8	B2-U3-G2	B2-U3-G2	B2-U3-G2	B3-U3-G2		102
ORX-2-DPT-32L-1050-30K8	B2-U3-G2	B2-U3-G2	B2-U3-G2	B3-U3-G2		102
ORX-2-DPT-32L-1050-30K7	B2-U3-G2	B2-U3-G2	B2-U3-G2	B4-U3-G2		102
ORX-2-DPT-32L-1050-35K8	B2-U3-G2	B2-U3-G2	B2-U3-G2	B3-U3-G2		102
ORX-2-DPT-32L-1050-40K8	B2-U3-G2	B2-U3-G2	B2-U3-G2	B4-U3-G2		102
ORX-2-DPT-32L-1050-40K7	B2-U3-G2	B2-U3-G2	B2-U3-G2	B4-U3-G2		102
ORX-2-DPT-32L-1050-50K8	B2-U3-G2	B2-U3-G2	B2-U3-G2	B4-U3-G2		102
ORX-2-DPT-32L-1050-50K7	B2-U3-G2	B2-U3-G2	B2-U3-G2	B4-U3-G2		102

B.U.G. CHART						
Part Number	T2 B.U.G.	T3 B.U.G.	T4 B.U.G.	T5 B.U.G.	VCS B.U.G.	WATTS
ORX-2-DPT-64L-350-27K7	B1-U2-G1	B2-U2-G2	B2-U2-G2	B3-U2-G1	B2-U0-G1	68
ORX-2-DPT-64L-350-27K8	B1-U2-G1	B2-U2-G2	B1-U2-G2	B3-U2-G1	B2-U0-G1	68
ORX-2-DPT-64L-350-30K8	B1-U2-G1	B2-U2-G2	B2-U2-G2	B3-U2-G1	B2-U0-G1	68
ORX-2-DPT-64L-350-30K7	B1-U2-G2	B2-U2-G2	B2-U2-G2	B3-U3-G1	B2-U0-G1	68
ORX-2-DPT-64L-350-35K8	B1-U2-G1	B2-U2-G2	B2-U2-G2	B3-U2-G1	B2-U0-G1	68
ORX-2-DPT-64L-350-40K8	B1-U2-G2	B2-U2-G2	B2-U2-G2	B3-U3-G1	B2-U0-G1	68
ORX-2-DPT-64L-350-40K7	B2-U2-G2	B2-U2-G2	B2-U2-G2	B3-U3-G2	B2-U0-G1	68
ORX-2-DPT-64L-350-50K8	B1-U2-G2	B2-U2-G2	B2-U2-G2	B3-U3-G1	B2-U0-G1	68
ORX-2-DPT-64L-350-50K7	B2-U2-G2	B2-U2-G2	B2-U2-G2	B3-U3-G2	B2-U0-G1	68
ORX-2-DPT-64L-530-27K7	B2-U3-G2	B2-U3-G2	B2-U3-G2	B3-U3-G2	B3-U0-G1	103
ORX-2-DPT-64L-530-27K8	B2-U3-G2	B2-U3-G2	B2-U3-G2	B3-U3-G2	B2-U0-G1	103
ORX-2-DPT-64L-530-30K8	B2-U3-G2	B2-U3-G2	B2-U3-G2	B3-U3-G2	B3-U0-G1	103
ORX-2-DPT-64L-530-30K7	B2-U3-G2	B2-U3-G2	B2-U3-G2	B4-U3-G2	B3-U0-G1	103
ORX-2-DPT-64L-530-35K8	B2-U3-G2	B2-U3-G2	B2-U3-G2	B3-U3-G2	B3-U0-G1	103
ORX-2-DPT-64L-530-40K8	B2-U3-G2	B2-U3-G2	B2-U3-G2	B4-U3-G2	B3-U0-G1	103
ORX-2-DPT-64L-530-40K7	B2-U3-G2	B2-U3-G2	B2-U3-G2	B4-U3-G2	B3-U0-G1	103
ORX-2-DPT-64L-530-50K8	B2-U3-G2	B2-U3-G2	B2-U3-G2	B4-U3-G2	B3-U0-G1	103
ORX-2-DPT-64L-530-50K7	B2-U3-G2	B2-U3-G2	B2-U3-G2	B4-U3-G2	B3-U0-G1	103
ORX-2-DPT-64L-700-27K7	B2-U3-G2	B3-U3-G3	B3-U3-G3	B4-U3-G2	B3-U0-G1	137
ORX-2-DPT-64L-700-27K8	B2-U3-G2	B3-U3-G3	B2-U3-G2	B4-U3-G2	B3-U0-G1	137
ORX-2-DPT-64L-700-30K8	B2-U3-G2	B3-U3-G3	B3-U3-G3	B4-U3-G2	B3-U0-G1	137
ORX-2-DPT-64L-700-30K7	B2-U3-G2	B3-U3-G3	B3-U3-G3	B4-U3-G2	B3-U0-G1	137
ORX-2-DPT-64L-700-35K8	B2-U3-G2	B3-U3-G3	B3-U3-G3	B4-U3-G2	B3-U0-G1	137
ORX-2-DPT-64L-700-40K8	B2-U3-G2	B3-U3-G3	B3-U3-G3	B4-U3-G2	B3-U0-G1	137
ORX-2-DPT-64L-700-40K7	B3-U3-G3	B3-U3-G3	B3-U3-G3	B4-U3-G2	B3-U0-G1	137
ORX-2-DPT-64L-700-50K8	B2-U3-G2	B3-U3-G3	B3-U3-G3	B4-U3-G2	B3-U0-G1	137
ORX-2-DPT-64L-700-50K7	B3-U3-G3	B3-U3-G3	B3-U3-G3	B4-U3-G2	B3-U0-G1	137
ORX-2-DPT-64L-1A-27K7	B3-U3-G3	B3-U3-G3	B3-U3-G3	B4-U3-G2	B3-U0-G1	200
ORX-2-DPT-64L-1A-27K8	B3-U3-G3	B3-U3-G3	B3-U3-G3	B4-U3-G2	B3-U0-G1	200
ORX-2-DPT-64L-1A-30K8	B3-U3-G3	B3-U3-G3	B3-U3-G3	B4-U3-G2	B3-U0-G1	200
ORX-2-DPT-64L-1A-30K7	B3-U3-G3	B3-U3-G3	B3-U3-G3	B4-U3-G2	B3-U0-G1	200
ORX-2-DPT-64L-1A-35K8	B3-U3-G3	B3-U3-G3	B3-U3-G3	B4-U3-G2	B3-U0-G1	200
ORX-2-DPT-64L-1A-40K8	B3-U3-G3	B3-U3-G3	B3-U3-G3	B4-U3-G2	B3-U0-G1	200
ORX-2-DPT-64L-1A-40K7	B3-U3-G3	B3-U3-G3	B3-U3-G3	B5-U3-G3	B3-U0-G1	200
ORX-2-DPT-64L-1A-50K8	B3-U3-G3	B3-U3-G3	B3-U3-G3	B4-U3-G2	B3-U0-G1	200
ORX-2-DPT-64L-1A-50K7	B3-U3-G3	B3-U3-G3	B3-U3-G3	B5-U3-G3	B3-U0-G1	200



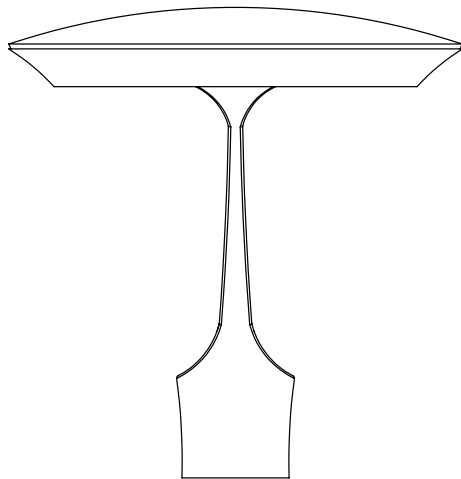
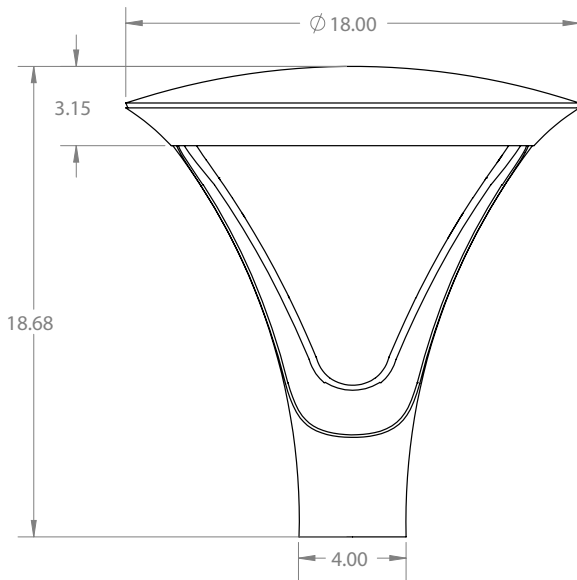
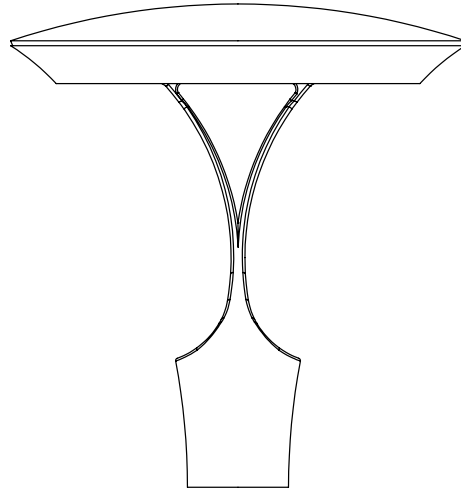
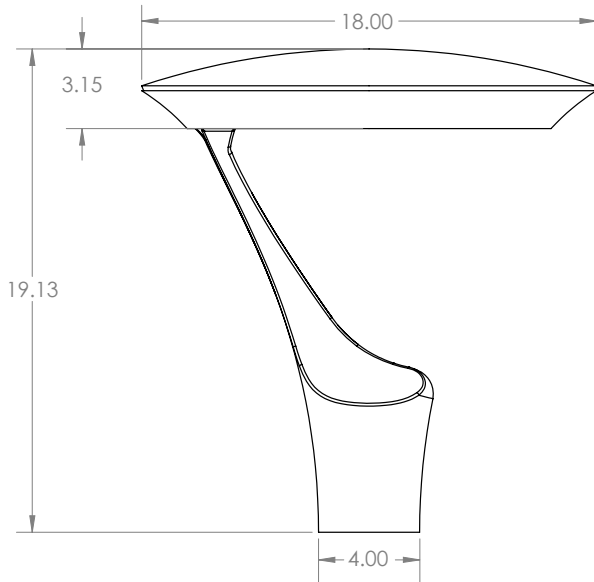
701 Kingshill Place, Carson, CA 90746
Call Us Today (310) 341-2037

nslighting.com

PRODUCT SPECIFICATIONS

MODEL	WIDTH	HEIGHT	WEIGHT
ORX-2-SPT	18"	19.13	18 LBS
ORX-2-DPT	18"	18.68	19 LBS

MODEL	EPA
ORX-2-SPT	0.28 ft*2
ORX-2-DPT	0.28 ft*2



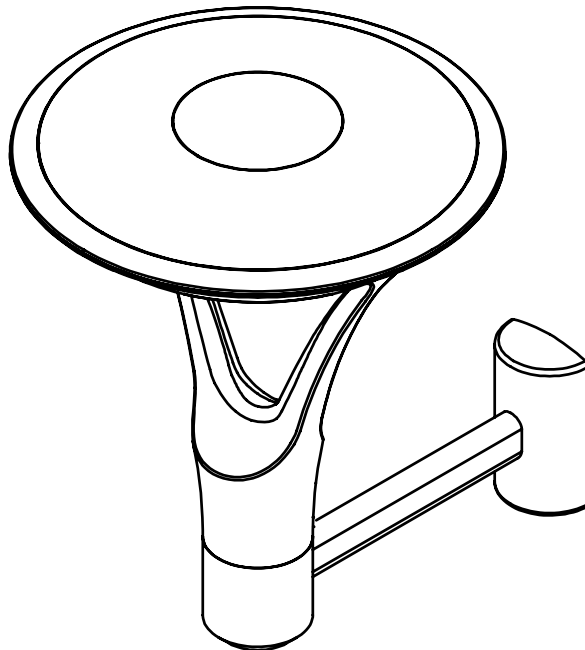
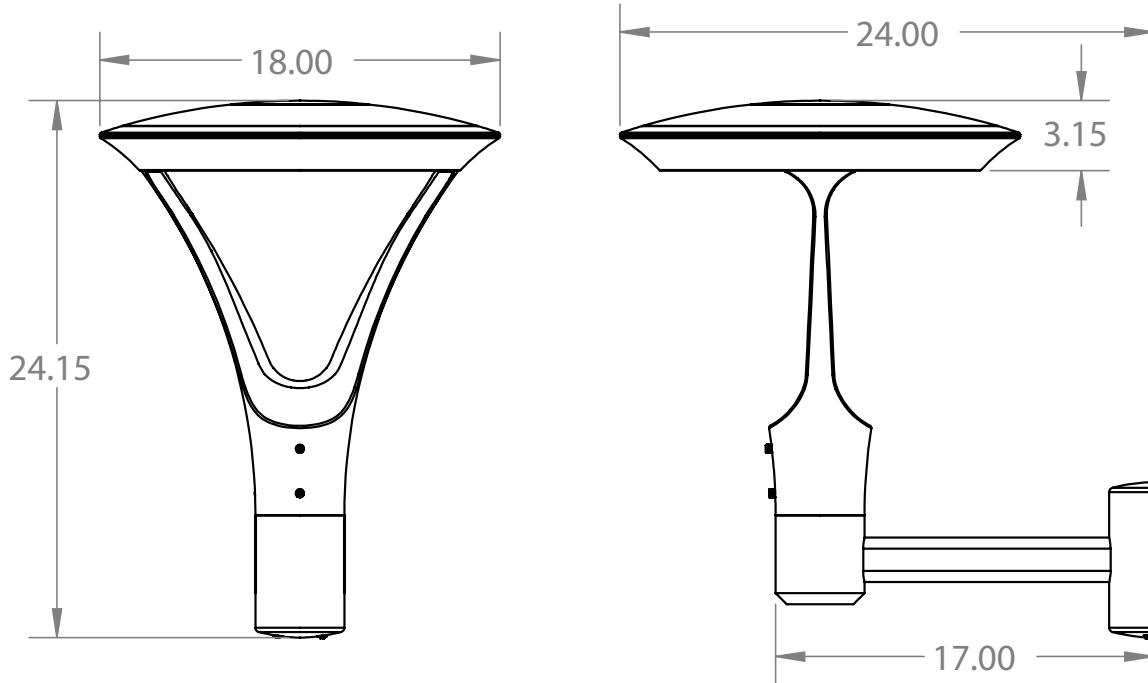
SCAN FOR INSTALLATION INSTRUCTIONS



PRODUCT SPECIFICATIONS

MODEL	WIDTH	HEIGHT	DEPTH	WEIGHT
ORX-2-SPTWM	18"	24.15"	24.0"	22.5 LBS
ORX-2-DPTWM	18"	24.15"	24.0"	23.5 LBS

MODEL	EPA
ORX-2-SPTWM	0.56 ft ²
ORX-2-DPTWM	.054 ft ²

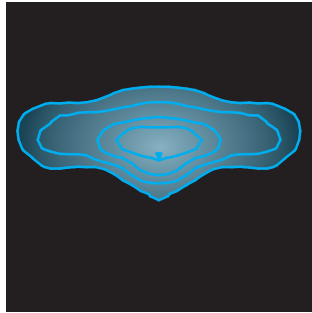
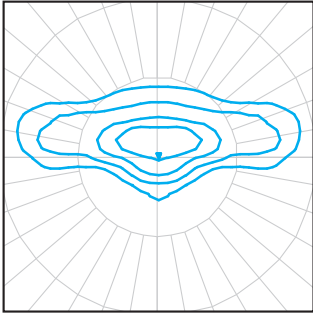


SCAN FOR INSTALLATION INSTRUCTIONS



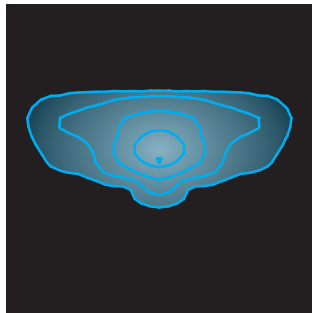
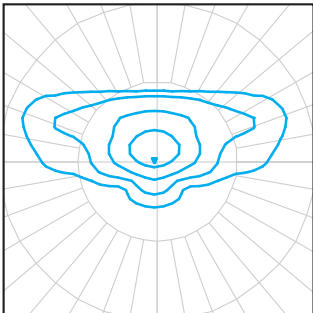
PRODUCT SPECIFICATIONS

IES DISTRIBUTIONS



T2 Optic

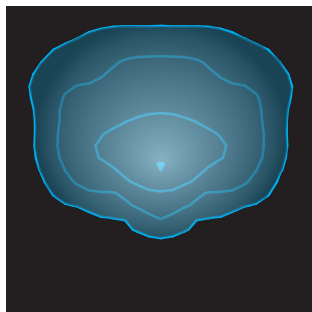
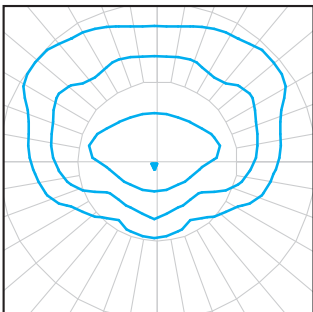
The Type II distribution is used for narrow pathways and trails, narrow entrances of shopping centers, parking lots and office complex's.



T3 Optic

The type III distribution is meant for roadway lighting, general parking areas and other areas where a larger area of lighting is required. Type III lighting needs to be placed to the side of the area, allowing the light to project outward and fill the area. This produces a filling light flow.

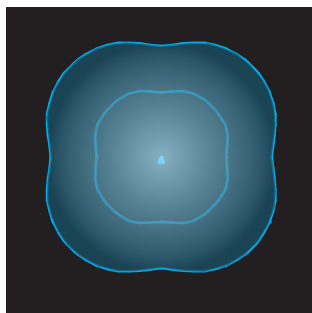
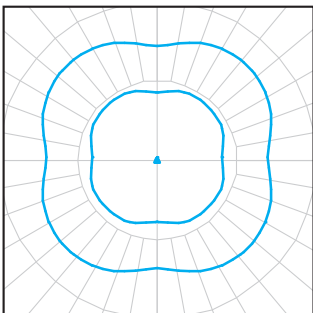
Type III light distributions have a preferred lateral width of 40 degrees. This distribution is intended for luminaires mounted at or near the side of medium width roadways or areas, where the width of the roadway or area does not exceed 2.75 times the mounting height.



T4 Optic

The type IV distribution produces a semicircular light meant for mounting on the sides of buildings and walls. It's best for illuminating the perimeter of parking areas and businesses. The intensity of the Type IV lighting has the same intensity at angles from 90 degrees to 270 degrees.

Type IV light distributions have a preferred lateral width of 60 degrees. This distribution is intended for side-of-road mounting and is generally used on wide roadways where the roadway width does not exceed 3.7 times the mounting height.



T5 Optic - Symmetrical

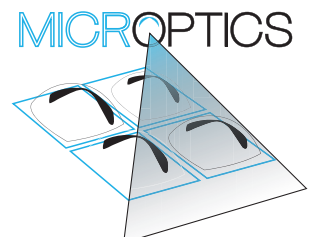
Type V produces a symmetrical distribution that has the same intensity at all angles. This distribution has a uniform symmetry of candlepower that is essentially the same at all lateral angles. It is meant for large, commercial parking lot lighting as well as areas where sufficient, evenly distributed light is necessary

SILICONE OPTICS

NLS Lighting Silicone Micro Optical System technology takes quality and performance to the highest level. Vandal resistant, superior clarity—Micro Optics have become the best and lasting solution in the industry.

BENEFITS

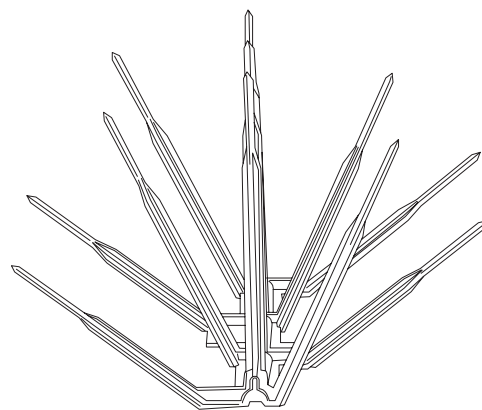
- Produces superior 96% clarity
- Heat resistant to 150° C, 50% higher than acrylic
- Ecologically friendly—no glare
- Vandal-resistant
- Does not brittle, crack, or yellow over time



PRODUCT SPECIFICATIONS

BIRD SPIKES (BS)

Bird Deterrent offers effective and humane deterrent for larger bird species and provides cost-effective long-term solution to nuisance bird infestations and protect your property.



MARINE GRADE FINISH (MGF)



Powder Coat Finish

3-5mil Powder Coat

Primer Layer

3-5mil Zinc Rich
Super Durable Polyester Primer

Prepared Casting

Chemically washed in multi Step 5 stage
cleaning process

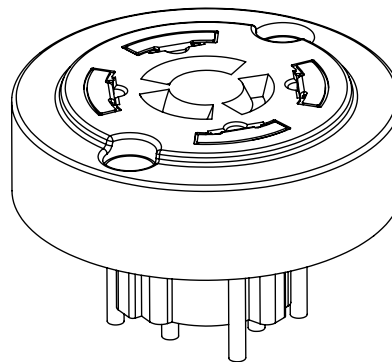
Marine Grade Finish (MGF)

The **(MGF)** is a multi step process. Chemically washed in a 5 stage cleaning system. Pre-baked. Powder coated 3-5 mils of Zinc Rich Super Durable Polyester Primer. Oven Baked.

Finished Powder Coating of Super Durable Polyester Powder Coat 3-5 mil thickness.

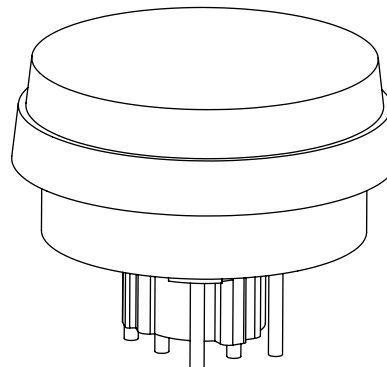
NEMA 7-PIN RECEPTACLE (PE7)

An ANSI C136.41-2013 receptacle provides electrical and mechanical interconnection between photo control cell and luminaire. Dimming receptacle available two or four dimming contacts supports 0-10 VDC dimming methods or Digital Addressable Lighting Interface (DALI), providing reliable power interconnect.

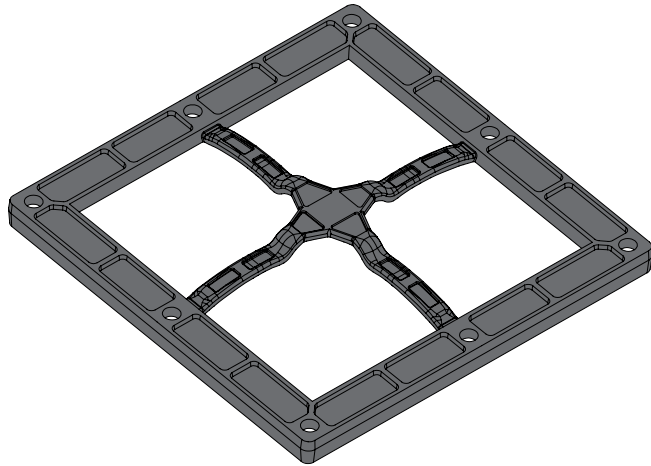


RECEPTACLE + SHORTING CAP (PER)

7-Pin Receptacle and Shorting Cap.



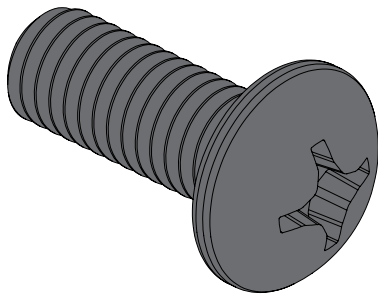
BLACK OPTIC FRAME



Black Optic Frame (BOF)

Optional Black Optic Frame.

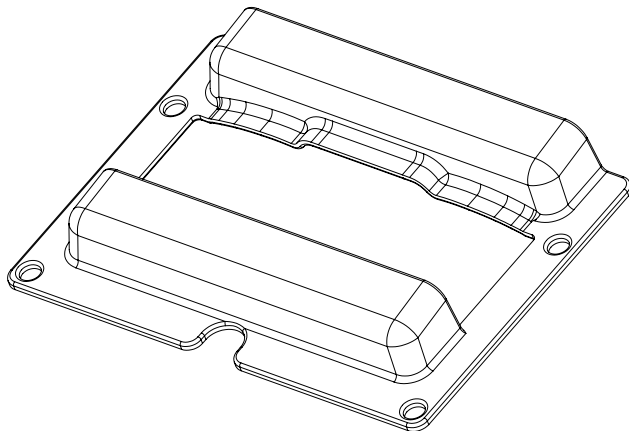
BLACK HARDWARE



Black Hardware (BH)

Black painted hardware.

HOUSE SIDE SHIELD (HSS)

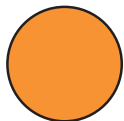


House Side Shield (HSS)

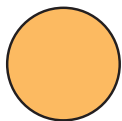
House Side Shield (**HSS**) is designed for stringent property line cutoff. Injection Molded Glass Filled Nylon, standard finish is black.

PRODUCT SPECIFICATIONS

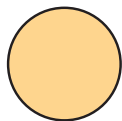
LED KELVIN RANGE



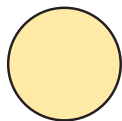
AMBER
585-600 nm



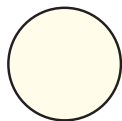
2700K 70 CRI



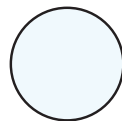
3000K 70 CRI



3500K 80 CRI



4000K 70 CRI



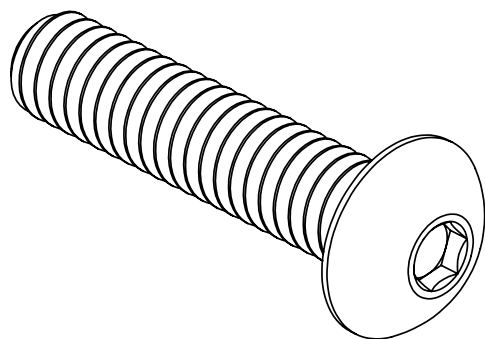
5000K 70 CRI

Color	Dominant or Peak Wavelength Range (nm)	
	Minimum	Maximum
Amber	585	600

Lumen Maintenance Data							
Ambient Temperature	Drive Current	L90 Hours*	L70 Hours**	30,000 Hours*	50,000 Hours*	60,000 Hours*	100,000 Hours**
25°C	Up to 700mA	58,000	173,000	95.7%	91.6%	89.6%	82.1%
	1050mA	48,000	143,000	94.3%	89.5%	87.2%	78.5%

*Reported extrapolations per IESNA TM-21 **Projected extrapolations per IESNA TM-21

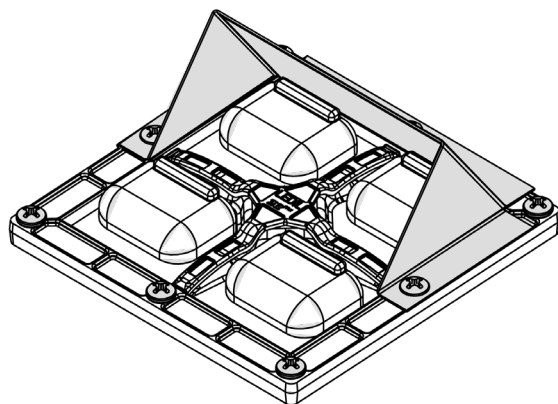
TAMPER PROOF HARDWARE



Tamper Proof Hardware (TPH)

316 Stainless Steel Button Head Hex Drive Screws. Provided to protect the optical assembly and the driver compartment for vandal resistance.

AUTOMOTIVE HOUSE SIDE SHIELD



Automotive House Side Shield (AHS)

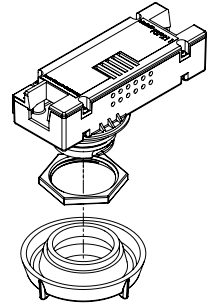
Automotive House Side Shield (AHS) is a single-sided shield allowing partial cut-off on either side or front of luminaire.

PRODUCT SPECIFICATIONS

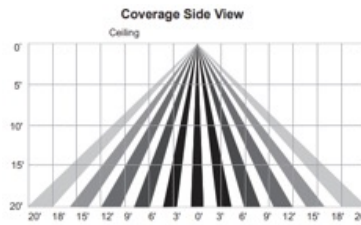
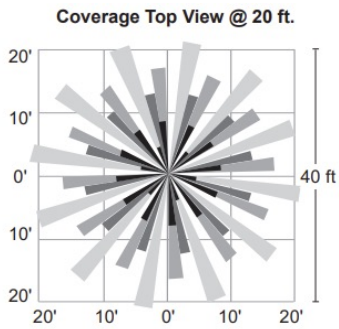
FSP-211 WITH MOTION SENSOR (FSP-XX)

- FSP-211 (FSP-X)—Passive infrared (PIR) sensor providing multi-level control based on motion/daylight contribution.
- All control parameters adjustable via wireless configuration remote storing and transmitting sensor profiles.
- FSP-20 mounting heights 9-20 feet
- FSP-40 mounting heights 21-40 feet.
- Includes 5 dimming event cycles, 0-10V dimming with motion sensing, re-programmable in the field.
- FSIR-100 commissioning remote is required to change sensor settings. Please contact factory for ordering.

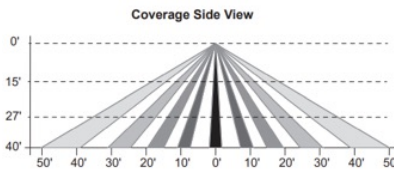
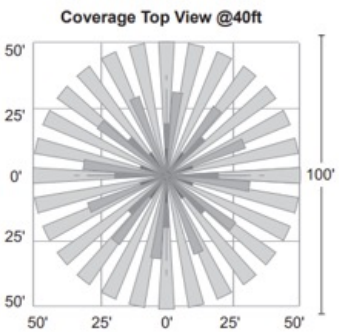
FSP-211



FSP-20



FSP-40



Sensor Specification

