



LED LUMEN / WATTAGE CHART

	16L
350 milliamps	19w (2408-2536 Lumens)
530 milliamps	27w (3424-3645 Lumens)
700 milliamps	36w (4327-4606 Lumens)
1050 milliamps	55w (5920-6301 Lumens)

Form

- Sleek, Low Profile Housing
- Spec Grade Performance
- Internal Aluminum Heat Sink
- Engineered For Optimum Thermal Management
- Low Depreciation Rate
- 8 Architectural Finishes
Standard, RAL Colors Available

Function

- Micro Optics IES Distributions
T2, T3, T4
- 0-10V Dimming Drivers
THD @ Max Load < 15% Power
factor @ Max Load < 0.95
- 2700K, 3000K, 3500K, 4000K or
5000K Kelvin
- 16L LED Configuration
- 19-55 Watts
- CRI 70, 80 or 90
- 5 mils Powder Coat

Reliability

- Silicone Micro Optics
- 5 Year Standard Warranty
- IP65 Rated Fixture
- IP67 Optics
- UL Listed
- Reduces Energy Consumption And
Costs Up To 65%

Project Name:

Type:

RHC ORDERING GUIDE

Cat#	Light Dist.	No. of LEDs	Milliamps	Kelvin
RHC (RHC)	Type 2 (T2)	16 (16L)	350 (35)	2700K, 70 CRI (27K7)
	Type 3 (T3)		530 (53)	2700K, 80 CRI (27K8) ①
	Type 4 (T4)		700 (7)	3000K, 70 CRI (30K7)
			1050 (1)	3000K, 80 CRI (30K8) ①
				3500K, 80 CRI (35K8)
				4000K, 70 CRI (40K7)
				4000K, 80 CRI (40K8) ①
				5000K, 70 CRI (50K7)
				5000K, 80 CRI (50K8) ①
Volts	Mounting	Color	Options	
120-277 (UNV)	Wall Mount (WM)	Bronze Textured (BRZ)	Marine Grade Finish (MGF)	
347-480 (HV)		White Textured (WHT)	FSP-211 with Motion Sensor (UNV Voltage) (FSP-8) ②	
		Smooth White Gloss (SWT)	*8' and Below (FSP-20) ②	
		Silver (SVR)	*9'-20" Heights	
		Black Textured (BLK)	Button Photocell (PC)	
		Smooth Black Gloss (SBK)	20KA Surge Protector (20K)	
		Graphite Textured (GPH)	Emergency Battery 4w (EM4) ③	
		Grey Textured (GRY)	Emergency Battery 8w (EM8) ③	
		Custom (CS)	Emergency Battery 14w (EM14) ③	
			Emergency Cold Pk Battery 14w (EMCP) ③	

Notes:

- ① Consult Factory for Lead Time. Consult Factory for 90 CRI Requests.
- ② Universal Voltage 120-277
- ③ All Emergency Battery Options Certified CA Title 20



701 Kingshill Place, Carson, CA 90746
Call Us Today (310) 341-2037

nslighting.com

PRODUCT SPECIFICATIONS

ELECTRICAL

- 120-277 Volts (UNV) or 347-480 Volts (HV)
- 0-10V dimming driver
- LED Drivers Ambient Temp. Min is -40°C and Ambient Temp. Max ranges from 50°C to 55°C and, in some cases, even higher. Consult the factory for revalidation by providing the fixture catalog string before quoting and specifying it.
- Driver power factor at maximum load is $\geq .95$, THD maximum load is 15%
- All internal wiring UL certified for 600 VAC and 105°C
- All drivers, controls, and sensors housed in enclosed IP65 compartment
- CRI 70, 80 or 90
- Color temperatures: 2700K, 3000K, 3500K, 4000K, 5000K

OPTIONS

- **MARINE GRADE FINISH (MGF)**—A multi-step process creating protective finishing coat against harsh environments.
 - Chemically washed in a 5 stage cleaning system.
 - Pre-baked
 - Powder coated 3-5 mils of Zinc Rich Super Durable Polyester Primer.
 - 1-2 feet inside pole coverage top and bottom.
 - Oven Baked.
 - Finished Powder Coating of Super Durable Polyester Powder Coat 3-5 mil thickness.

CONTROLS

- **FSP-211 (FSP-X)**—Passive infrared (PIR) sensor providing multi-level control based on motion/daylight contribution.
 - All control parameters adjustable via wireless configuration remote storing and transmitting sensor profiles.
 - FSP-8 mounting heights 8 feet and below
 - FSP-20 mounting heights 9-20 feet
 - Includes 5 dimming event cycles, 0-10V dimming with motion sensing, re-programmable in the field.
 - FSIR-100 commissioning remote is required to change sensor settings. Please contact factory for ordering.
- **EMERGENCY BATTERY OPERATION**— The emergency battery backup is integral to the fixture. All emergency backup configurations include a standalone secondary driver with integral relay to detect power loss. This meets NFPA 70/NEC 2008. The emergency battery will power the fixture for 90 minutes once power is lost. Emergency battery pack are of NiCAD batteries. (EMCP) Emergency Cold Pack Batteries are rated for -20°C to 50°C.

OPTICS

Silicone optics high photothermal stability and light output provides higher powered LEDs with minimized lumen depreciation LED life. UV and thermal stability with scratch resistance increases exterior application durability.

LISTINGS

- Certified to UL 1598
- UL 8750
- CSA C22.2 No. 250.0
- IP67 Rated Optics
- IK10 Rated

Lumen Maintenance Data							
Ambient Temperature	Drive Current	L90 Hours*	L70 Hours**	30,000 Hours*	50,000 Hours*	60,000 Hours*	100,000 Hours**
25°C	Up to 700mA	58,000	173,000	95.7%	91.6%	89.6%	82.1%
	1050mA	48,000	143,000	94.3%	89.5%	87.2%	78.5%
*Reported extrapolations per IESNA TM-21				**Projected extrapolations per IESNA TM-21			



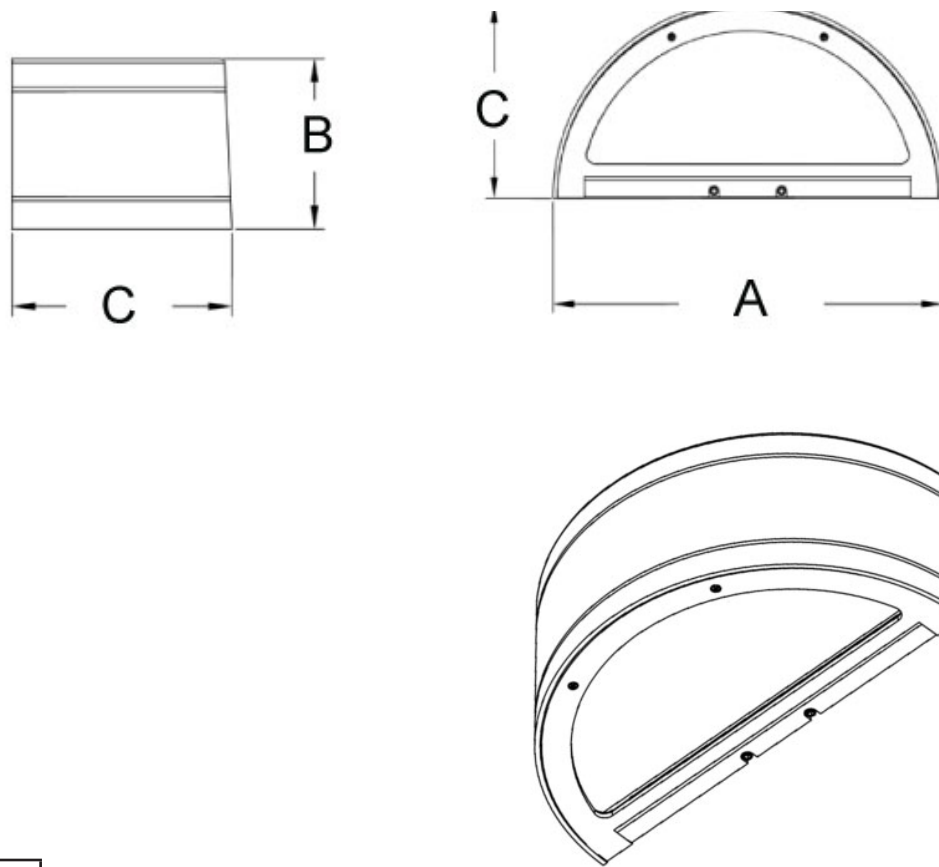
The information and specifications on this document are subject to change without any notification. All values are design, nominal, typical or prorated values when measured under internal and external laboratory conditions.



701 Kingshill Place, Carson, CA 90746
Call Us Today (310) 341-2037

nslighting.com

PRODUCT SPECIFICATIONS

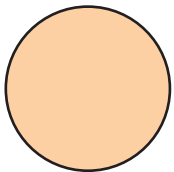


EPA	RHC
	.45

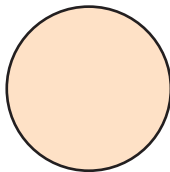
DIMENSION	RHC
A	18.10 in
B	7.10 in
C	9.10 in

Weight: 11.5 lbs

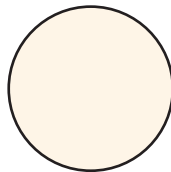
LED KELVIN RANGE



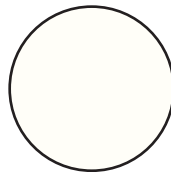
2700K
80 CRI



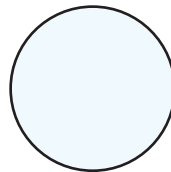
3000K
70 CRI



3500K
80 CRI

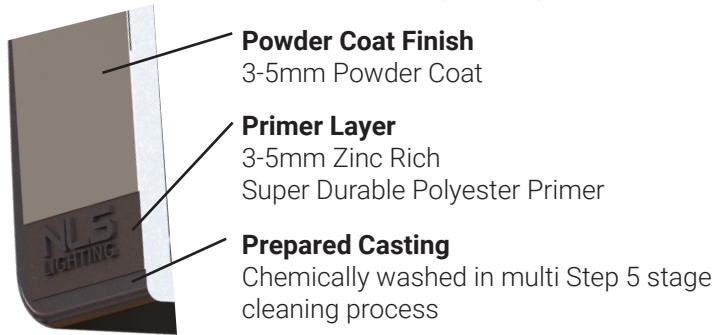


4000K
70 CRI



5000K
70 CRI

MARINE GRADE FINISH (MGF)



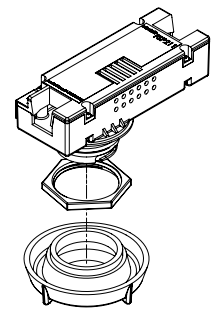
Marine Grade Finish (MGF)

The **(MGF)** is a multi step process. Chemically washed in a 5 stage cleaning system. Pre-baked. Powder coated 3-5 mils of Zinc Rich Super Durable Polyester Primer. Oven Baked. Finished Powder Coating of Super Durable Polyester Powder Coat 3-5 mil thickness.

FSP-211 WITH MOTION SENSOR (FSP-XX)

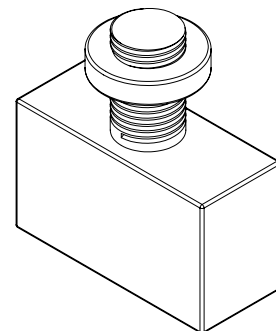
- FSP-211 (FSP-X)—Passive infrared (PIR) sensor providing multi-level control based on motion/daylight contribution.
- All control parameters adjustable via wireless configuration remote storing and transmitting sensor profiles.
- FSP-8 mounting heights 8 feet and below
- FSP-20 mounting heights 9-20 feet
- Includes 5 dimming event cycles, 0-10V dimming with motion sensing, re-programmable in the field.

FSP-211



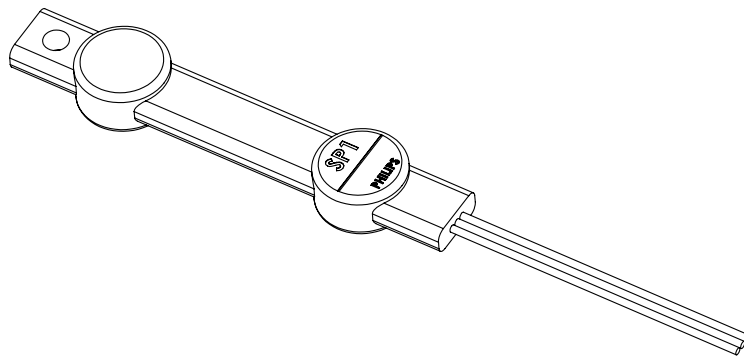
BUTTON PHOTO CELL (PC)

Button Type Photocell Universal Voltage 120-277 and
High Voltage 347-480



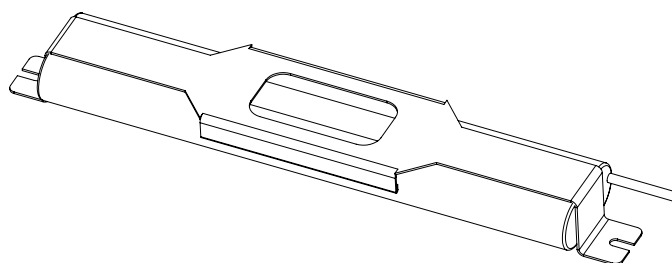
20KA SURGE PROTECTOR (10K)

Optional 20KA Surge Protector available.



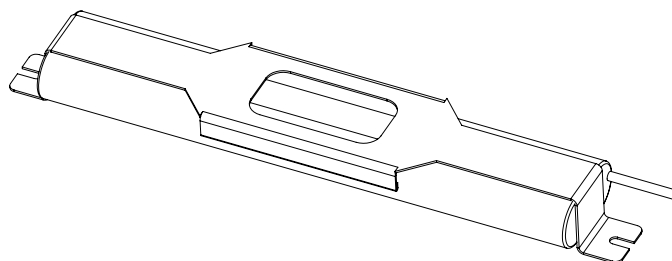
EMERGENCY BATTERY (EM4) (EM8) (EM16)

Emergency Battery available in 4w, 8w, & 14w.

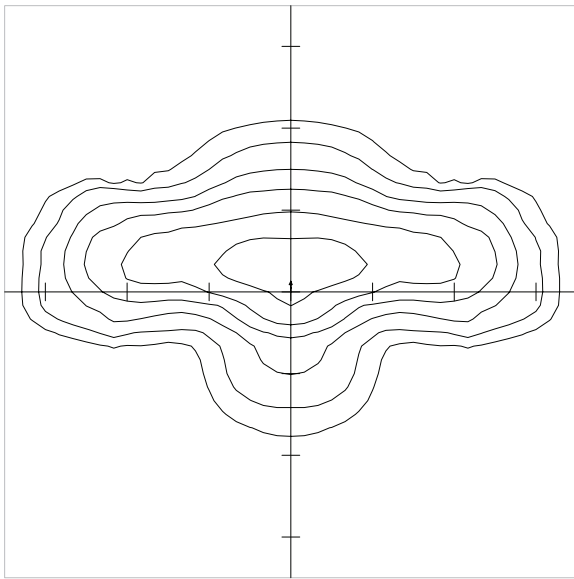
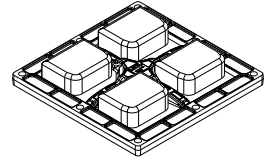


EMERGENCY COLD BATTERY (EMCP)

Emergency Cold Pack Battery available in 14w.



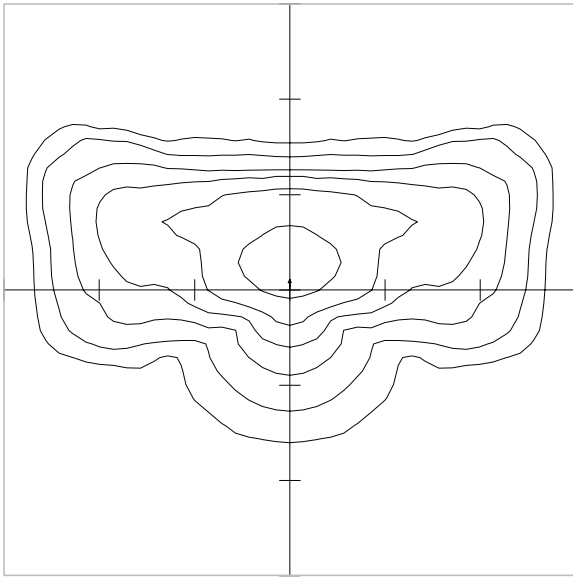
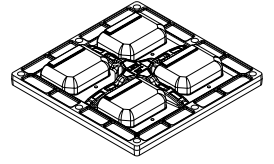
TYPE II (T2)



LUMEN DATA CHART

PART NUMBER	T2 LUMENS	Lm/W	B.U.G. Rating	SYSTEM WATTS
RHC-T2-16L-35-30K7	2413	129	B1-U0-G1	19
RHC-T2-16L-35-40K7	2536	136	B1-U0-G1	19
RHC-T2-16L-35-50K7	2536	136	B1-U0-G1	19
RHC-T2-16L-53-30K7	3468	128	B1-U0-G1	27
RHC-T2-16L-53-40K7	3645	134	B1-U0-G1	27
RHC-T2-16L-53-50K7	3645	134	B1-U0-G1	27
RHC-T2-16L-7-30K7	4382	123	B1-U0-G1	36
RHC-T2-16L-7-40K7	4606	129	B1-U0-G1	36
RHC-T2-16L-7-50K7	4606	129	B1-U0-G1	36
RHC-T2-16L-1-30K7	5995	108	B1-U0-G1	55
RHC-T2-16L-1-40K7	6301	114	B1-U0-G1	55
RHC-T2-16L-1-50K7	6301	114	B1-U0-G1	55

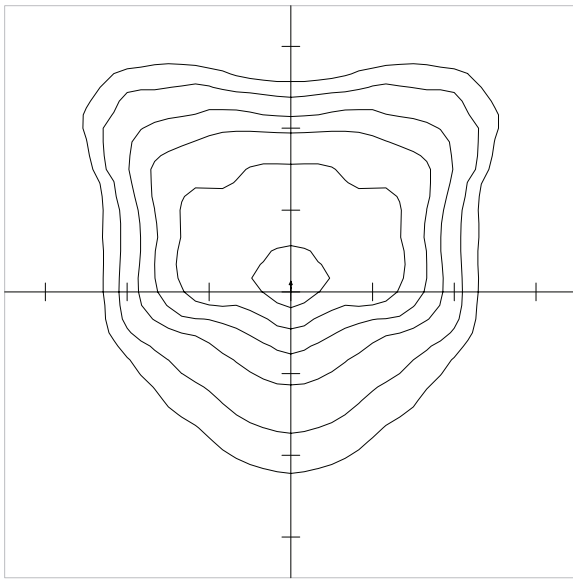
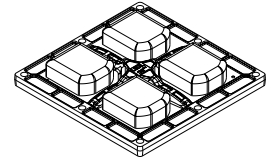
TYPE III (T3)



LUMEN DATA CHART

PART NUMBER	T3 LUMENS	Lm/W	B.U.G. Rating	SYSTEM WATTS
RHC-T3-16L-35-30K7	2408	129	B1-U0-G1	19
RHC-T3-16L-35-40K7	2531	135	B1-U0-G1	19
RHC-T3-16L-35-50K7	2531	135	B1-U0-G1	19
RHC-T3-16L-53-30K7	3460	127	B1-U0-G1	27
RHC-T3-16L-53-40K7	3637	134	B1-U0-G1	27
RHC-T3-16L-53-50K7	3637	134	B1-U0-G1	27
RHC-T3-16L-7-30K7	4373	123	B1-U0-G1	36
RHC-T3-16L-7-40K7	4596	129	B1-U0-G1	36
RHC-T3-16L-7-50K7	4596	129	B1-U0-G1	36
RHC-T3-16L-1-30K7	5982	108	B1-U0-G2	55
RHC-T3-16L-1-40K7	6287	114	B1-U0-G2	55
RHC-T3-16L-1-50K7	6287	114	B1-U0-G2	55

TYPE IV (T4)



LUMEN DATA CHART

PART NUMBER	T4 LUMENS	Lm/W	B.U.G. Rating	SYSTEM WATTS
RHC-T4-16L-35-30K7	2383	127	B1-U0-G1	19
RHC-T4-16L-35-40K7	2505	134	B1-U0-G1	19
RHC-T4-16L-35-50K7	2505	134	B1-U0-G1	19
RHC-T4-16L-53-30K7	3424	126	B1-U0-G1	27
RHC-T4-16L-53-40K7	3599	133	B1-U0-G1	27
RHC-T4-16L-53-50K7	3599	133	B1-U0-G1	27
RHC-T4-16L-7-30K7	4327	122	B1-U0-G1	36
RHC-T4-16L-7-40K7	4548	128	B1-U0-G1	36
RHC-T4-16L-7-50K7	4548	128	B1-U0-G1	36
RHC-T4-16L-1-30K7	5920	107	B1-U0-G2	55
RHC-T4-16L-1-40K7	6222	113	B1-U0-G2	55
RHC-T4-16L-1-50K7	6222	113	B1-U0-G2	55